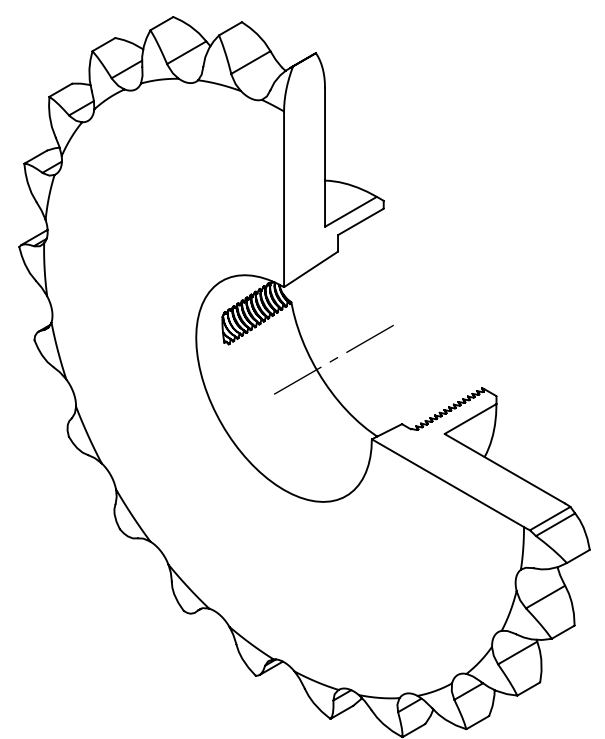
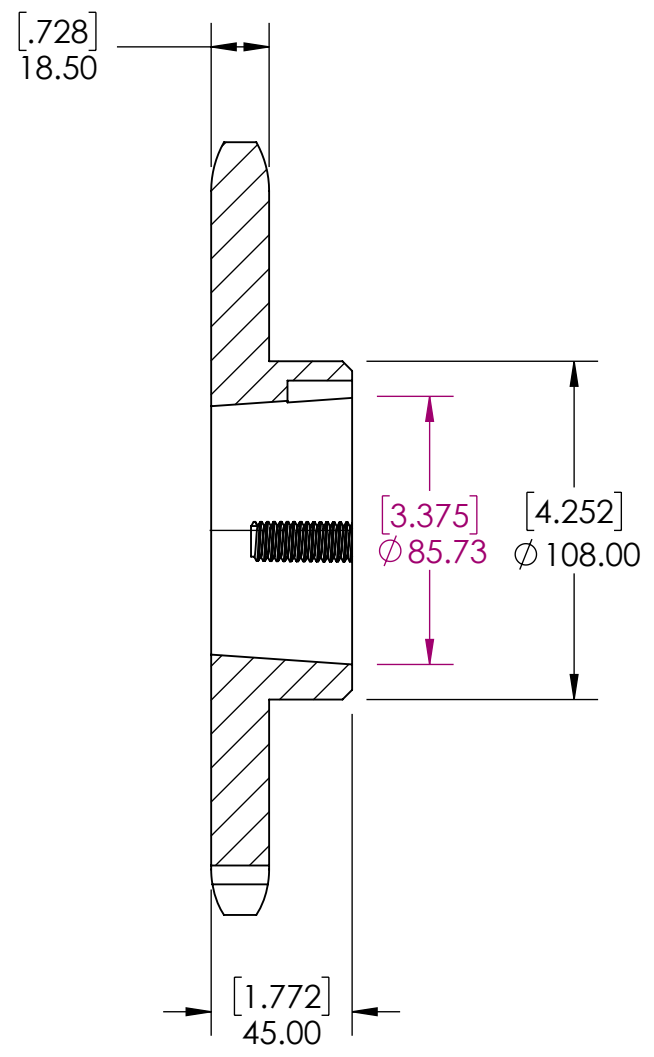
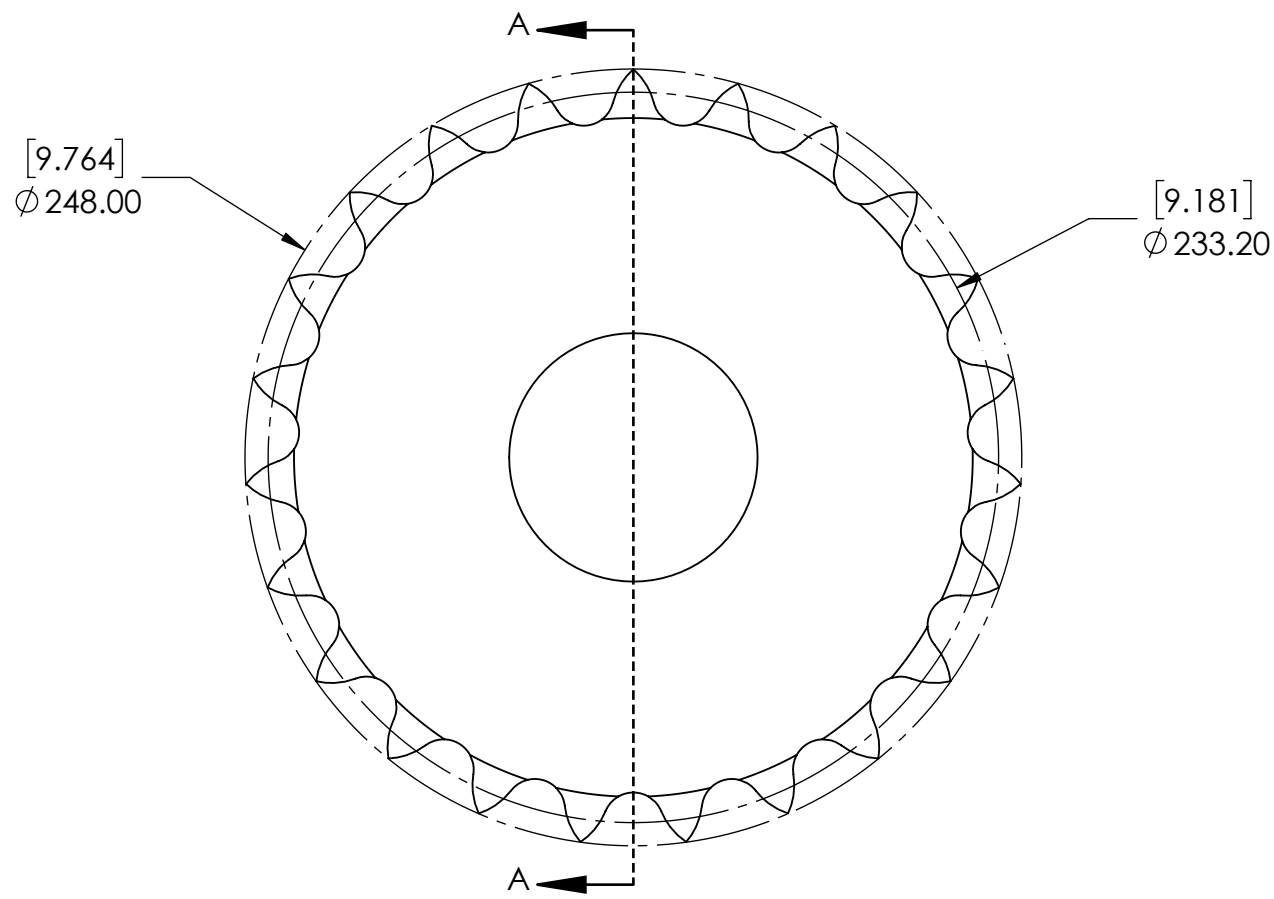


9 8 7 6 5 4 3 2 1

G
F
E
D
C
B
A

G
F
E
D
C
B
A



SECTION A-A

NOTES:
1. HARDENED TEETH.

SPROCKETS SPECIFICATIONS		WEIGHT		DATE		BY		REVISION DESCRIPTION		REV
UNITS	mm (INCH)	12.78 LBS								SCALE
CHAIN SIZE	20B	STEEL								1:1
PITCH	31.75 mm	BLACK OXIDE		DRAWN		SEC		07/21/2025		REV
INNER WIDTH	19.56 mm			CHECKED		EG		07/24/2025		-
ROLLER DIA.	19.05 mm			APPROVED						
TOOTH WIDTH	18.50 mm			THIRD ANGLE PROJECTION						
NUMBER OF TEETH	23			DATE		BY		REVISION DESCRIPTION		
HUB STYLE	B			ITEM DESCRIPTION:						
BORE TYPE	FOR TAPER BUSHING	DWG. NO.		20B-23HTL-2517						
BUSHING NUMBER	2517	PTI		PROPRIETARY AND CONFIDENTIAL						
				THE INFORMATION CONTAINED IN THIS DRAWING IS THE SOLE PROPERTY OF SOLVE IMG. ANY REPRODUCTION IN PART OR AS A WHOLE WITHOUT THE WRITTEN PERMISSION OF SOLVE IMG IS PROHIBITED.						

9 8 7 6 5 4 3 2 1