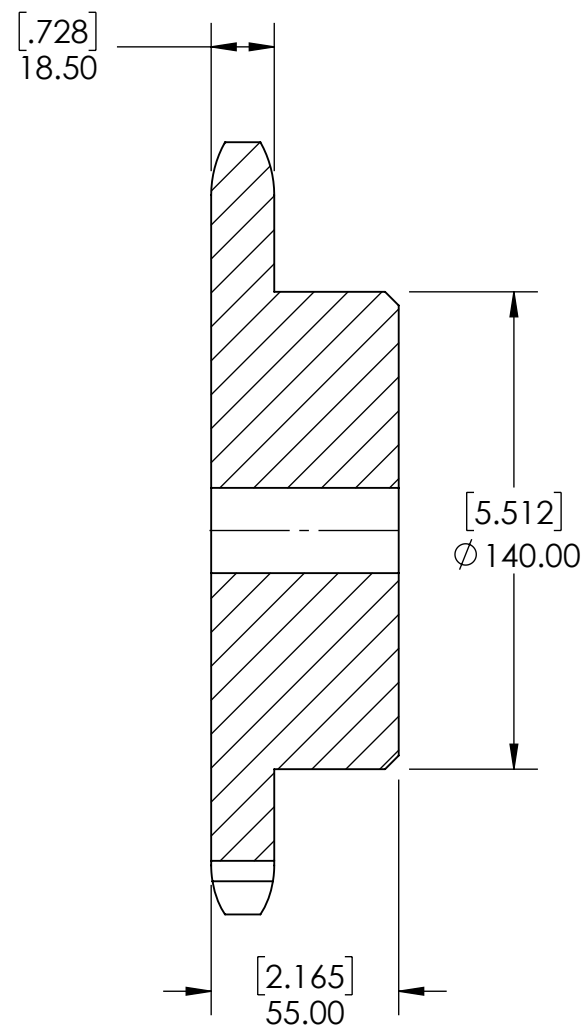
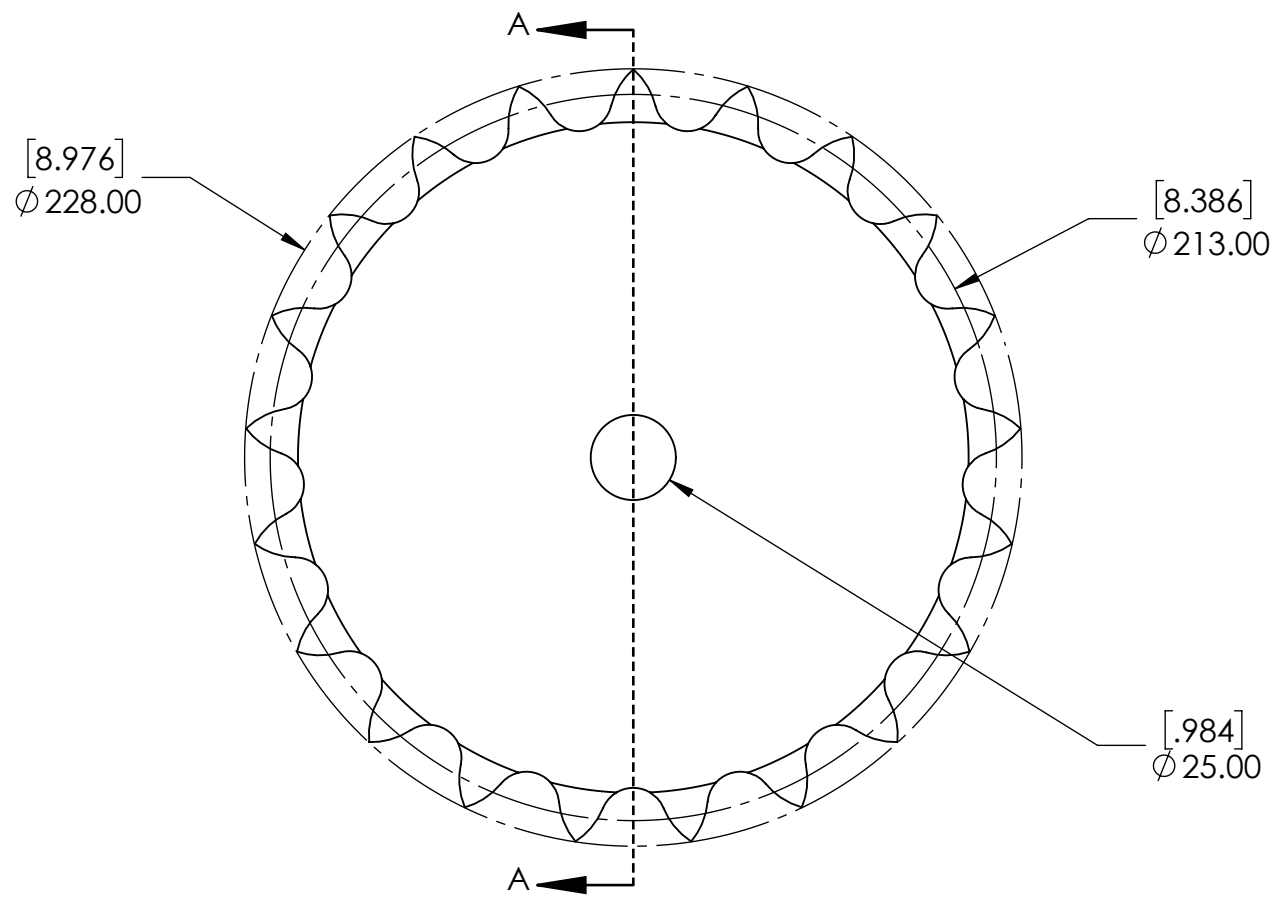


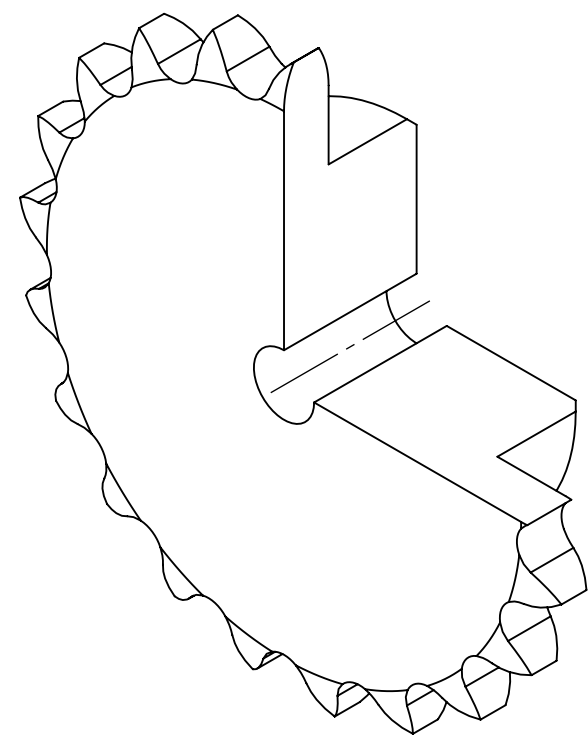
9 8 7 6 5 4 3 2 1

G
F
E
D
C
B
A

G
F
E
D
C
B
A



SECTION A-A

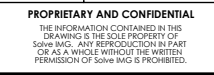


SPROCKETS SPECIFICATIONS		WEIGHT		DATE		BY		REVISION DESCRIPTION		REV
UNITS	mm (INCH)	19.85 LBS								
CHAIN SIZE	20B	MATERIAL	STEEL							
PITCH	31.75 mm	COATING	BLACK OXIDE							
INNER WIDTH	19.56 mm	DRAWN	SEC	07/21/2025						
ROLLER DIA.	19.05 mm	CHECKED	EG	07/24/2025						
TOOTH WIDTH	18.50 mm	APPROVED								
NUMBER OF TEETH	21									
HUB STYLE	B									
BORE TYPE	PLAIN BORE									
BUSHING NUMBER	N/A									
		SIZE PTI		DATE		BY		REVISION DESCRIPTION		REV
		DWG. NO.		ITEM DESCRIPTION:						SCALE
				20B-21B						1:1
										REV
										-

9 8 7 6 5 4 3 2 1

A

THIRD ANGLE PROJECTION



PROPRIETARY AND CONFIDENTIAL
THE INFORMATION CONTAINED IN THIS DRAWING IS THE SOLE PROPERTY OF SOLVE IMG. ANY REPRODUCTION IN PART OR AS A WHOLE WITHOUT THE WRITTEN PERMISSION OF SOLVE IMG IS PROHIBITED.