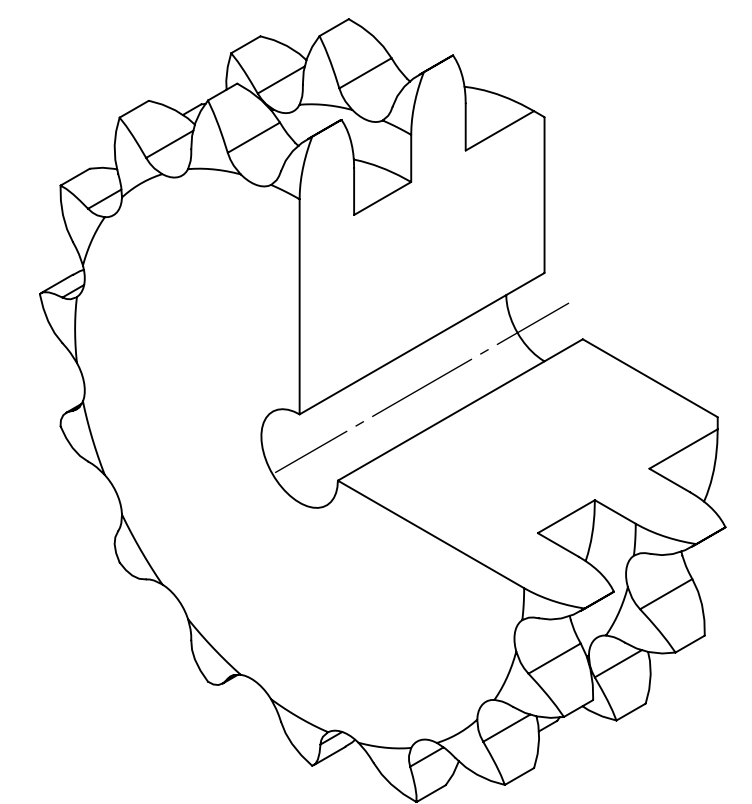
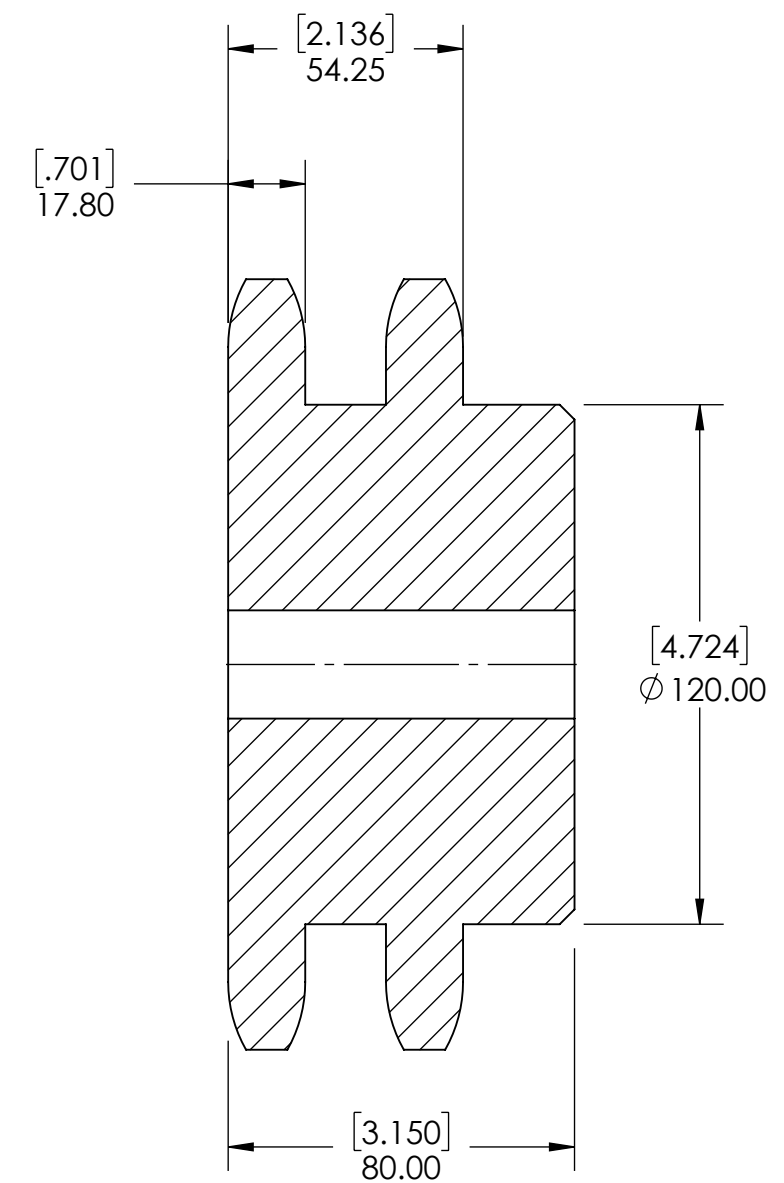
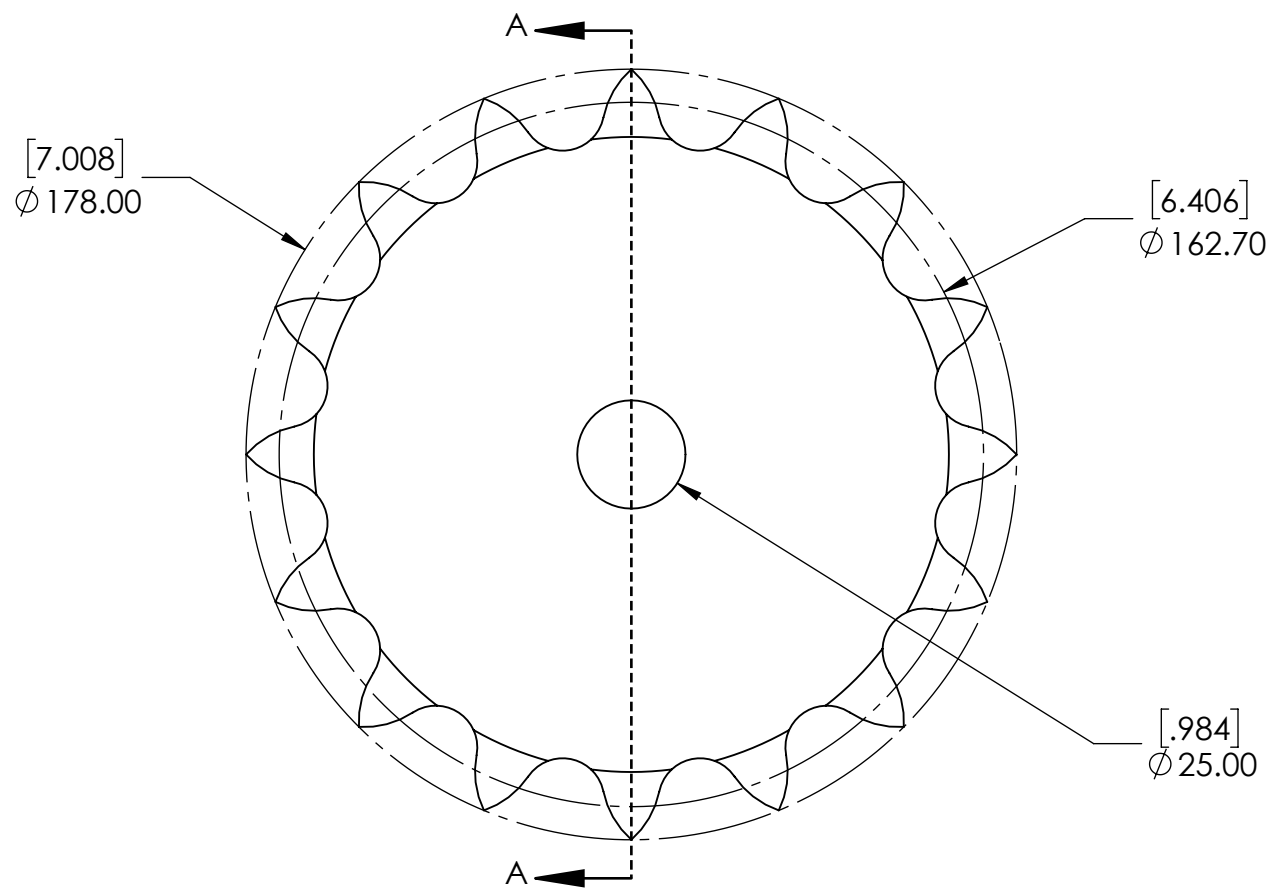


9 8 7 6 5 4 3 2 1

G F E D C B A



SECTION A-A

SPROCKETS SPECIFICATIONS		WEIGHT		DATE		BY		REVISION DESCRIPTION		REV
UNITS	mm (INCH)	19.71 LBS								SCALE
CHAIN SIZE	20B	STEEL								1:1
PITCH	31.75 mm	BLACK OXIDE		07/31/2025						REV
INNER WIDTH	19.56 mm	DRAWN		SEC						-
ROLLER DIA.	19.05 mm	CHECKED		SEC						
TOOTH WIDTH	17.80 mm	APPROVED								
NUMBER OF TEETH	16	THIRD ANGLE PROJECTION								
HUB STYLE	B	DWG. NO.								
BORE TYPE	PLAIN BORE	PTI		PROPRIETARY AND CONFIDENTIAL						
BUSHING NUMBER	N/A	20B-2-16B		THE INFORMATION CONTAINED IN THIS DRAWING IS THE SOLE PROPERTY OF SOLVE IMG. ANY REPRODUCTION IN PART OR AS A WHOLE WITHOUT THE WRITTEN PERMISSION OF SOLVE IMG IS PROHIBITED.						

9 8 7 6 5 4 3 2 1

A