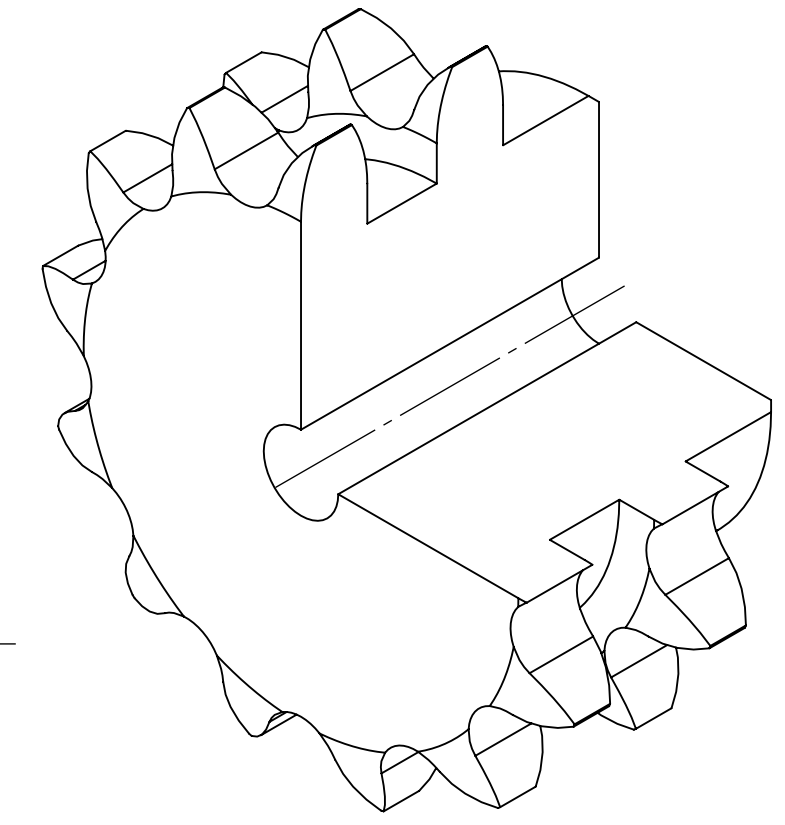
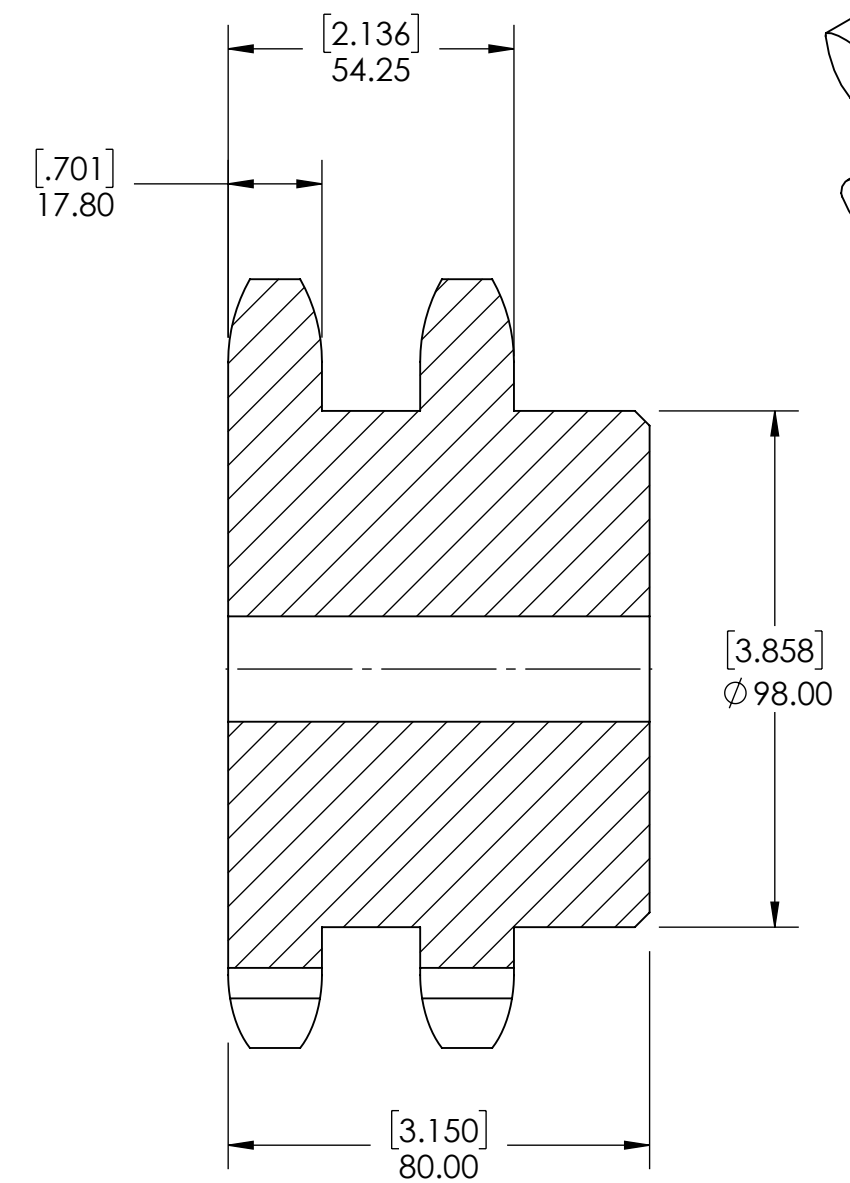
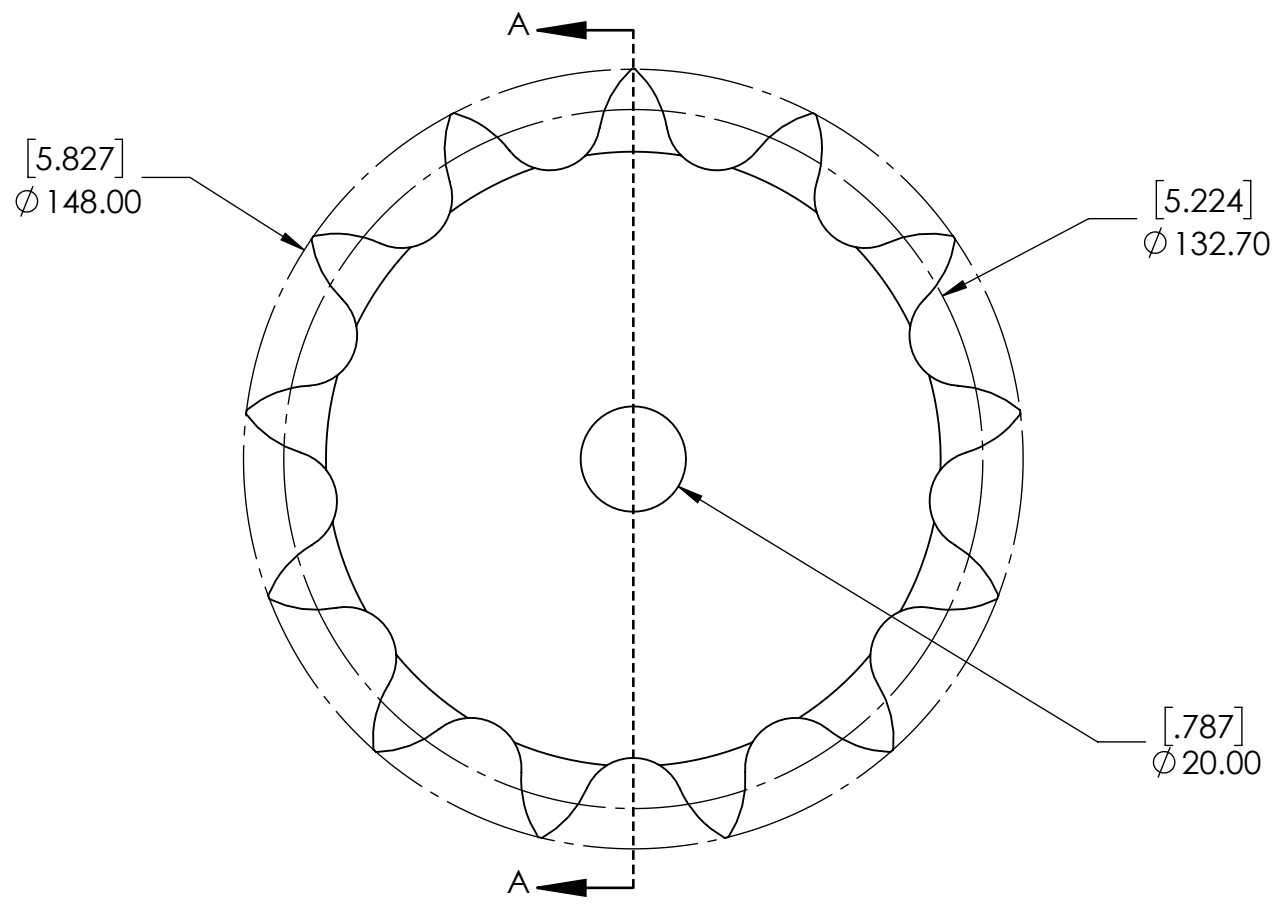


9 8 7 6 5 4 3 2 1

G  
F  
E  
D  
C  
B  
A

G  
F  
E  
D  
C  
B  
A



SECTION A-A

SPROCKETS SPECIFICATIONS		WEIGHT		13.01 LBS					
UNITS	mm (INCH)	MATERIAL	STEEL						
CHAIN SIZE	20B	COATING	BLACK OXIDE						
PITCH	31.75 mm	DRAWN	SEC	07/31/2025					
INNER WIDTH	19.56 mm	CHECKED	SEC	08/01/2025					
ROLLER DIA.	19.05 mm	APPROVED				DATE	BY	REVISION DESCRIPTION	
TOOTH WIDTH	17.80 mm					ITEM DESCRIPTION:			
NUMBER OF TEETH	13					20B-2-13B			
HUB STYLE	B	DWG. NO.		PROPRIETARY AND CONFIDENTIAL				SCALE	1:1
BORE TYPE	PLAIN BORE			THE INFORMATION CONTAINED IN THIS DRAWING IS THE SOLE PROPERTY OF SOLVE IMG. ANY REPRODUCTION IN PART OR AS A WHOLE WITHOUT THE WRITTEN PERMISSION OF SOLVE IMG IS PROHIBITED.				REV	-
BUSHING NUMBER	N/A								

9 8 7 6 5 4 3 2 1