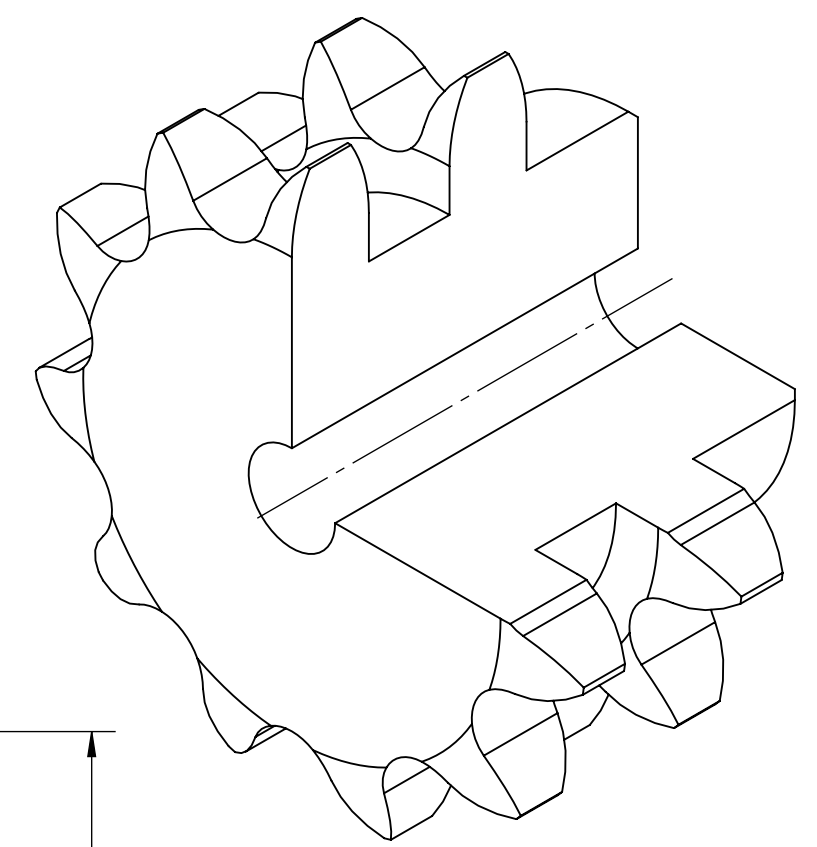
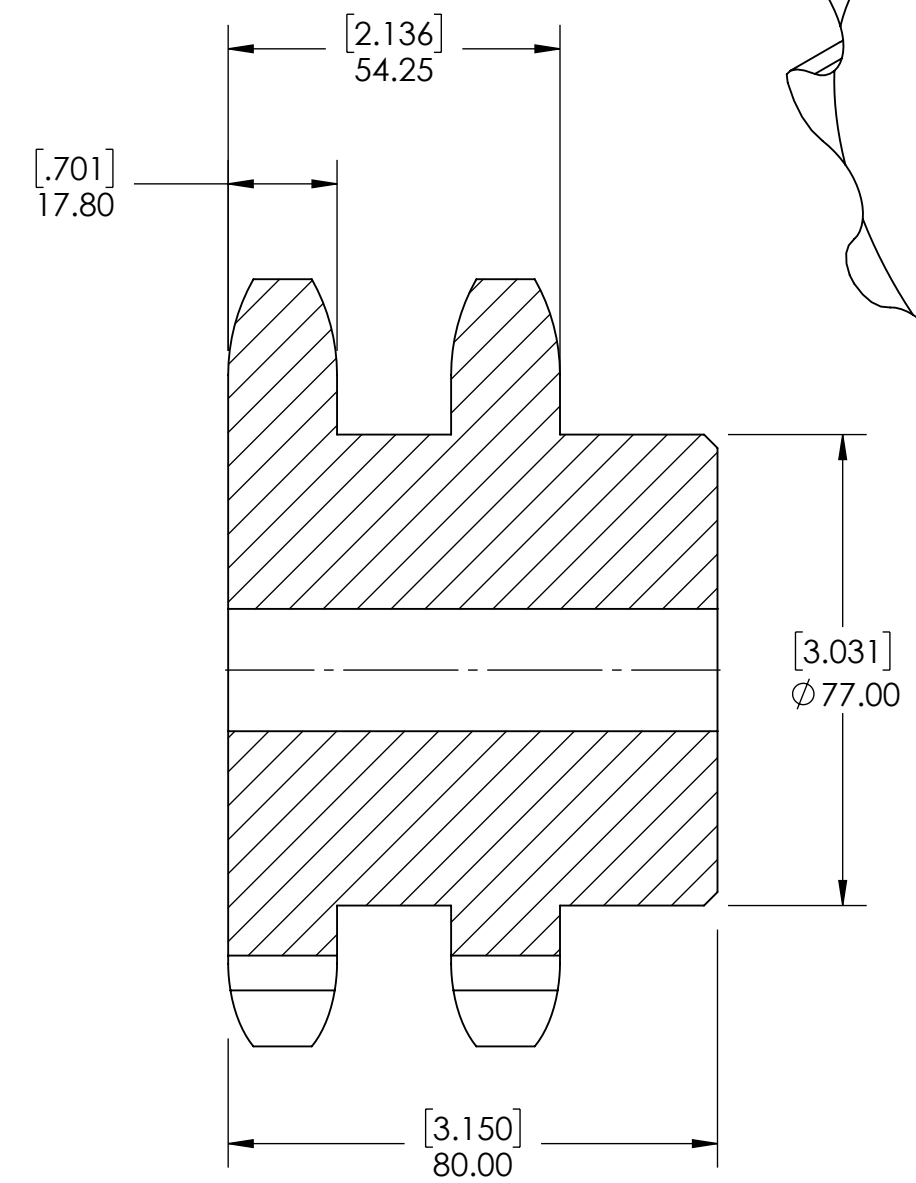
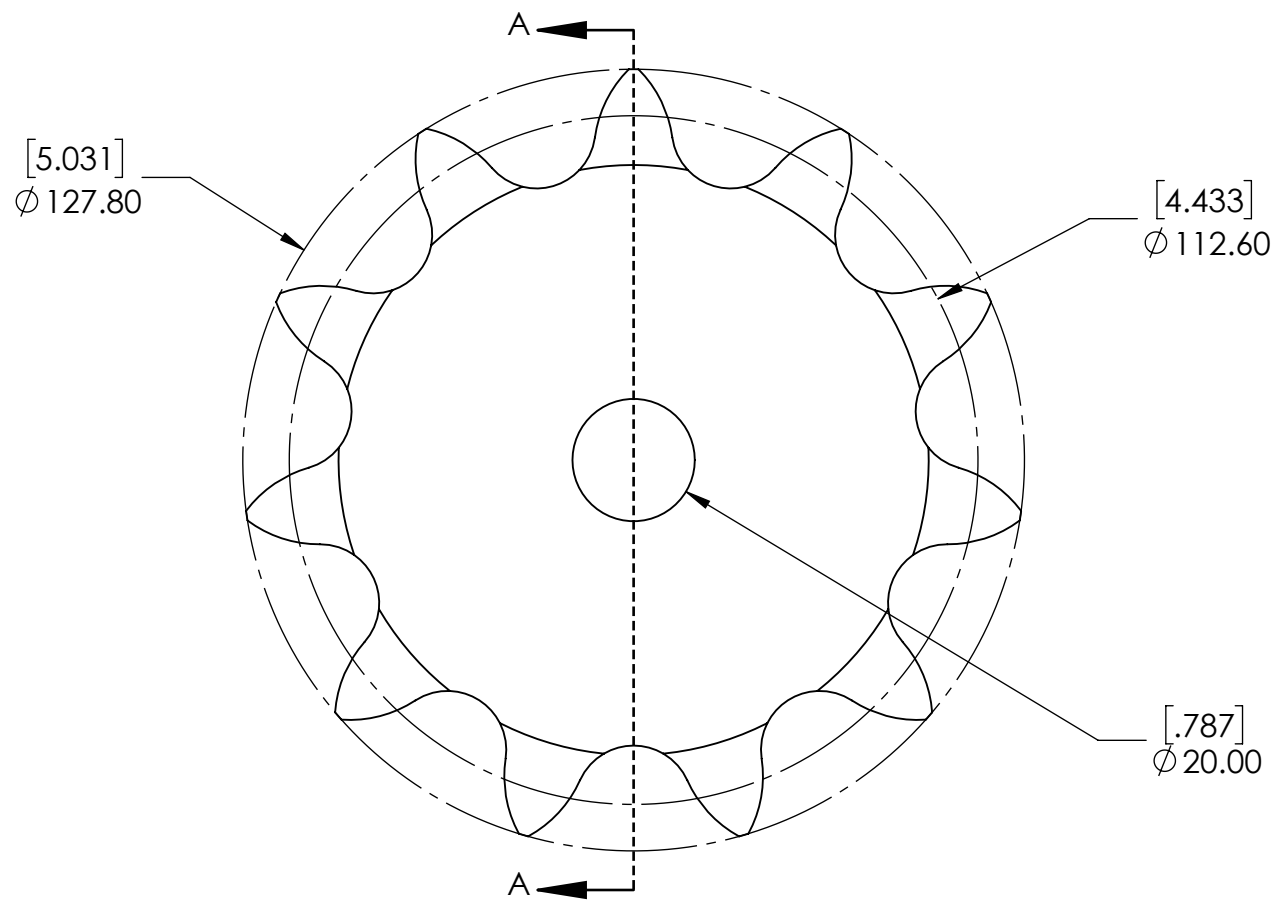


9 8 7 6 5 4 3 2 1

G F E D C B A



SECTION A-A

SPROCKETS SPECIFICATIONS		WEIGHT		DATE		BY		REVISION DESCRIPTION		REV	
UNITS	mm (INCH)	8.57 LBS									
CHAIN SIZE	20B	STEEL									
PITCH	31.75 mm	BLACK OXIDE		07/31/2025							
INNER WIDTH	19.56 mm	DRAWN		SEC							
ROLLER DIA.	19.05 mm	CHECKED		SEC		08/01/2025					
TOOTH WIDTH	17.80 mm	APPROVED									
NUMBER OF TEETH	11										
HUB STYLE	B										
BORE TYPE	PLAIN BORE										
BUSHING NUMBER	N/A										
						DWG. NO.		PROPRIETARY AND CONFIDENTIAL <small>THE INFORMATION CONTAINED IN THIS DRAWING IS THE SOLE PROPERTY OF SOLVE IMG. ANY REPRODUCTION IN PART OR AS A WHOLE WITHOUT THE WRITTEN PERMISSION OF SOLVE IMG IS PROHIBITED.</small>		ITEM DESCRIPTION: 20B-2-11B	SCALE 1:1

9 8 7 6 5 4 3 2 1

A B C D E F G