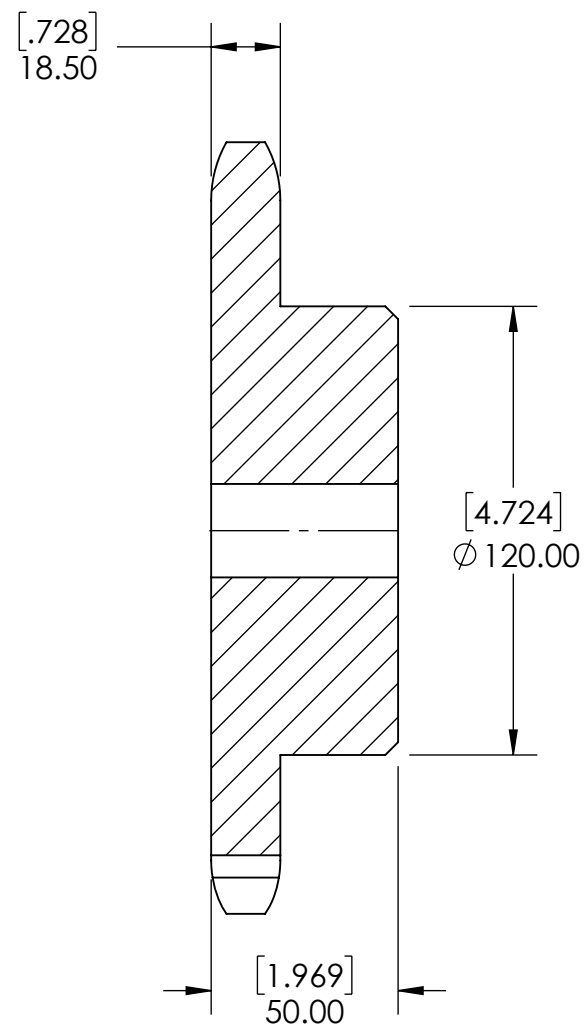
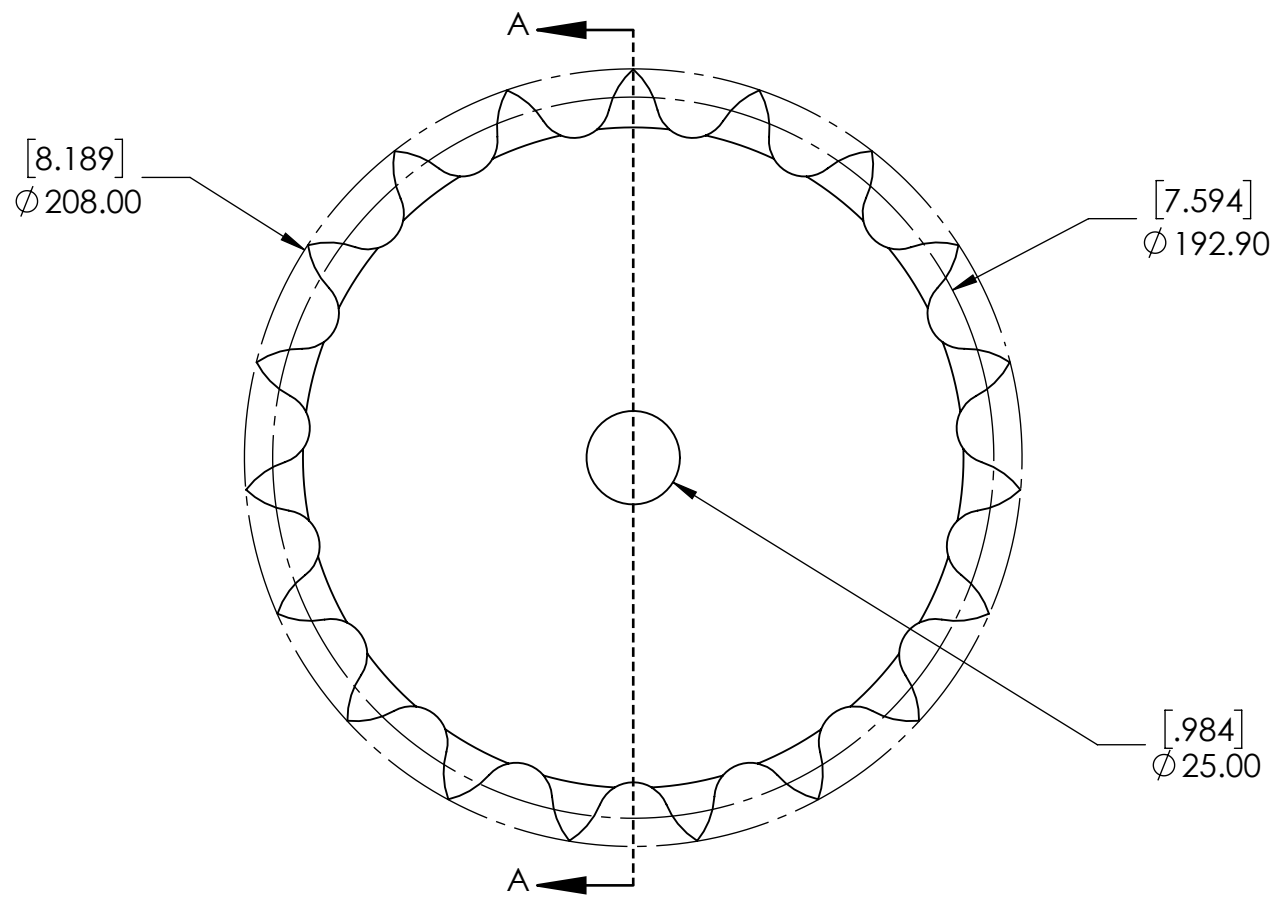


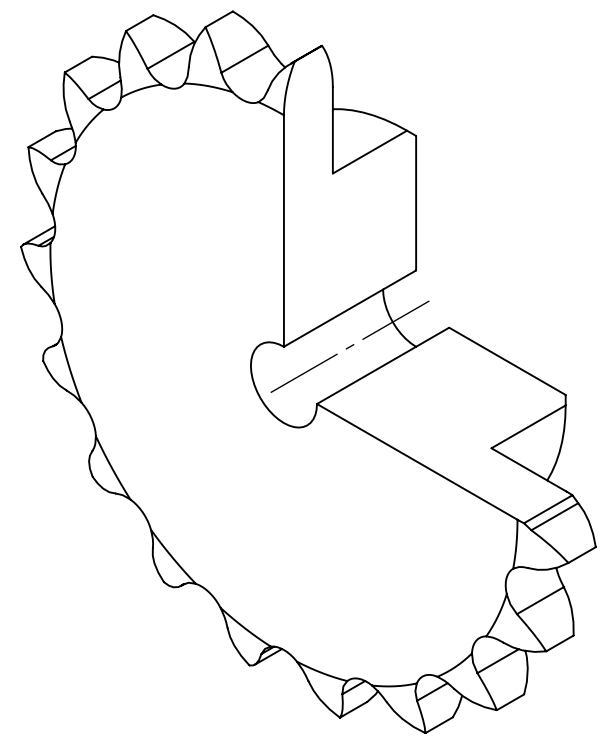
9 8 7 6 5 4 3 2 1

G  
F  
E  
D  
C  
B  
A

G  
F  
E  
D  
C  
B  
A



SECTION A-A



SPROCKETS SPECIFICATIONS		WEIGHT		14.39 LBS	
UNITS	mm (INCH)	MATERIAL	STEEL		
CHAIN SIZE	20B	COATING	BLACK OXIDE		
PITCH	31.75 mm	DRAWN	SEC	07/21/2025	
INNER WIDTH	19.56 mm	CHECKED	EG	07/24/2025	
ROLLER DIA.	19.05 mm	APPROVED			
TOOTH WIDTH	18.50 mm	DATE	BY	REVISION DESCRIPTION	
NUMBER OF TEETH	19	ITEM DESCRIPTION:			REV
HUB STYLE	B	20B-19B			SCALE
BORE TYPE	PLAIN BORE				1:1
BUSHING NUMBER	N/A				REV
					-



PROPRIETARY AND CONFIDENTIAL  
THE INFORMATION CONTAINED IN THIS DRAWING IS THE SOLE PROPERTY OF SOLVE IMG. ANY REPRODUCTION IN PART OR AS A WHOLE WITHOUT THE WRITTEN PERMISSION OF SOLVE IMG IS PROHIBITED.

9 8 7 6 5 4 3 2 1