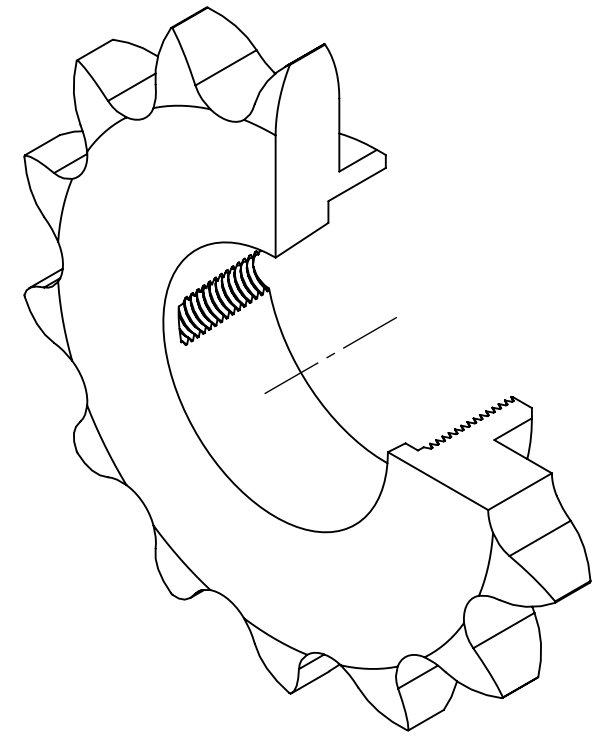
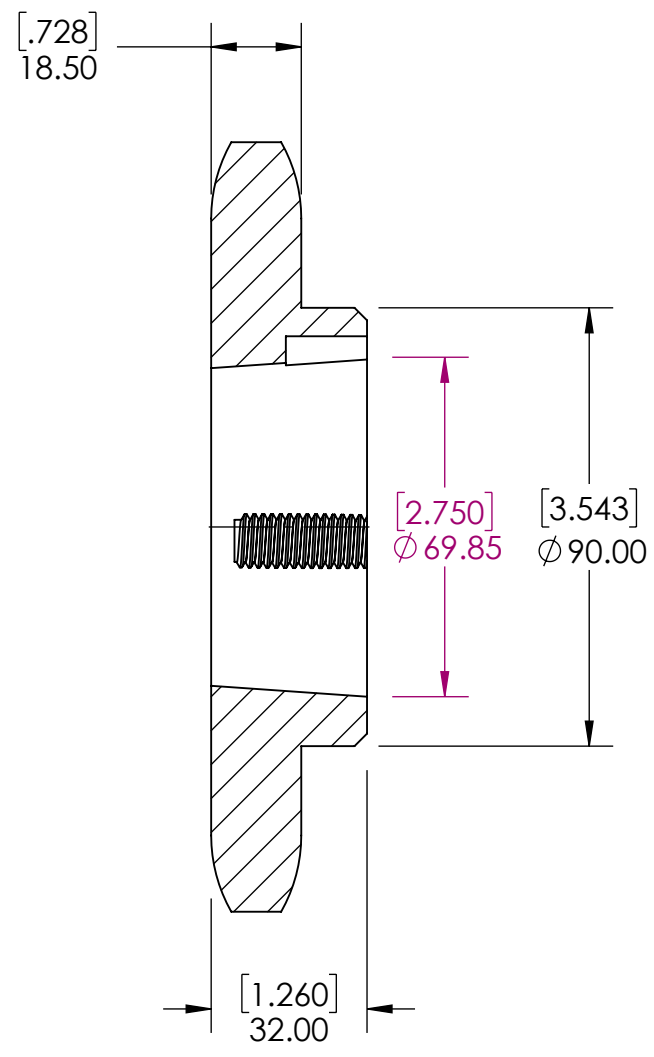
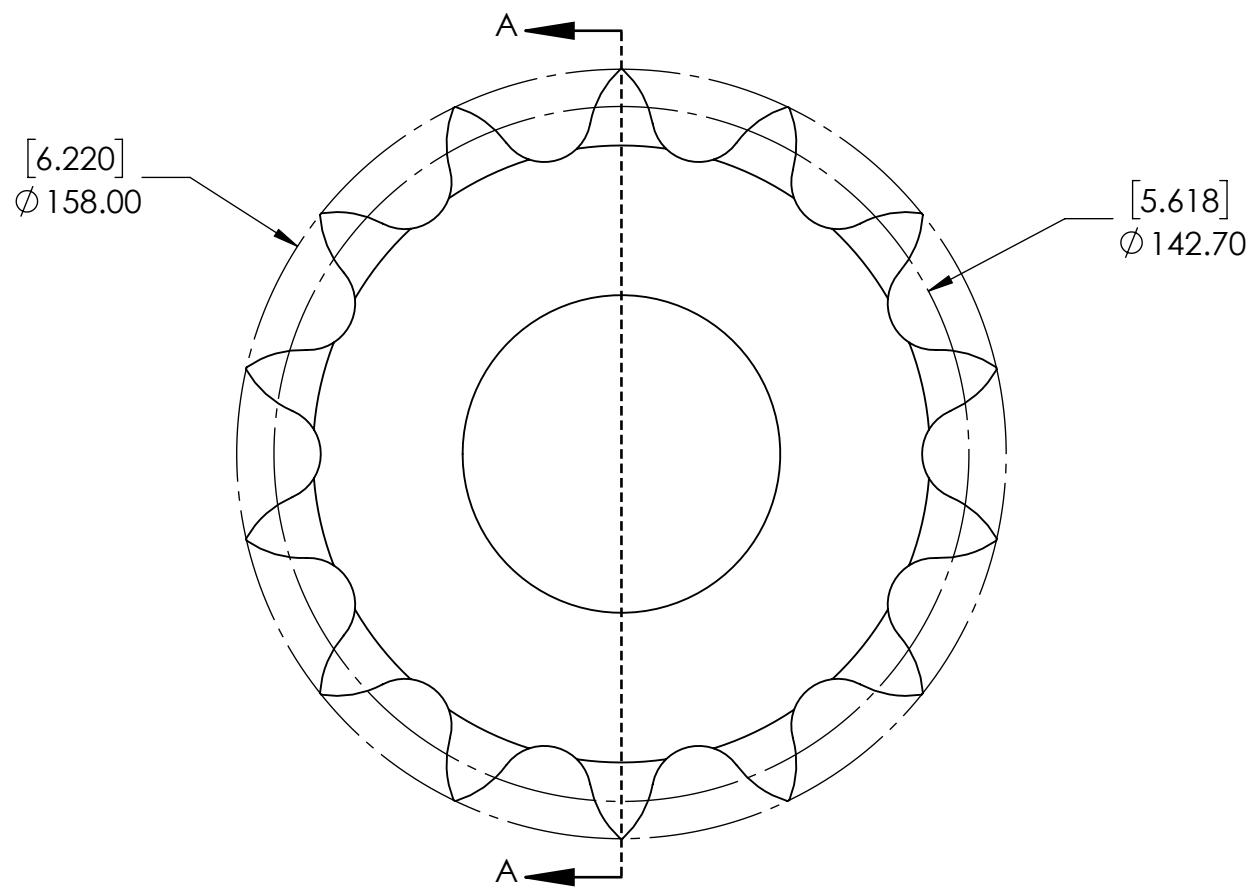


9 8 7 6 5 4 3 2 1

G
F
E
D
C
B
A

G
F
E
D
C
B
A



SECTION A-A

SPROCKETS SPECIFICATIONS		WEIGHT		4.08 LBS	
UNITS	mm (INCH)	MATERIAL	STEEL		
CHAIN SIZE	20B	COATING	BLACK OXIDE		
PITCH	31.75 mm	DRAWN	SEC	07/31/2025	
INNER WIDTH	19.56 mm	CHECKED	EG	07/31/2025	
ROLLER DIA.	19.05 mm	APPROVED			
TOOTH WIDTH	18.50 mm	DATE	BY	REVISION DESCRIPTION	
NUMBER OF TEETH	14	ITEM DESCRIPTION:			REV
HUB STYLE	B	20B-14TL-2012			SCALE
BORE TYPE	FOR TAPER BUSHING				1:1
BUSHING NUMBER	2012	PROPRIETARY AND CONFIDENTIAL THE INFORMATION CONTAINED IN THIS DRAWING IS THE SOLE PROPERTY OF SOLVE IMG. ANY REPRODUCTION IN PART OR AS A WHOLE WITHOUT THE WRITTEN PERMISSION OF SOLVE IMG IS PROHIBITED.			REV
		DWG. NO.			-

9 8 7 6 5 4 3 2 1