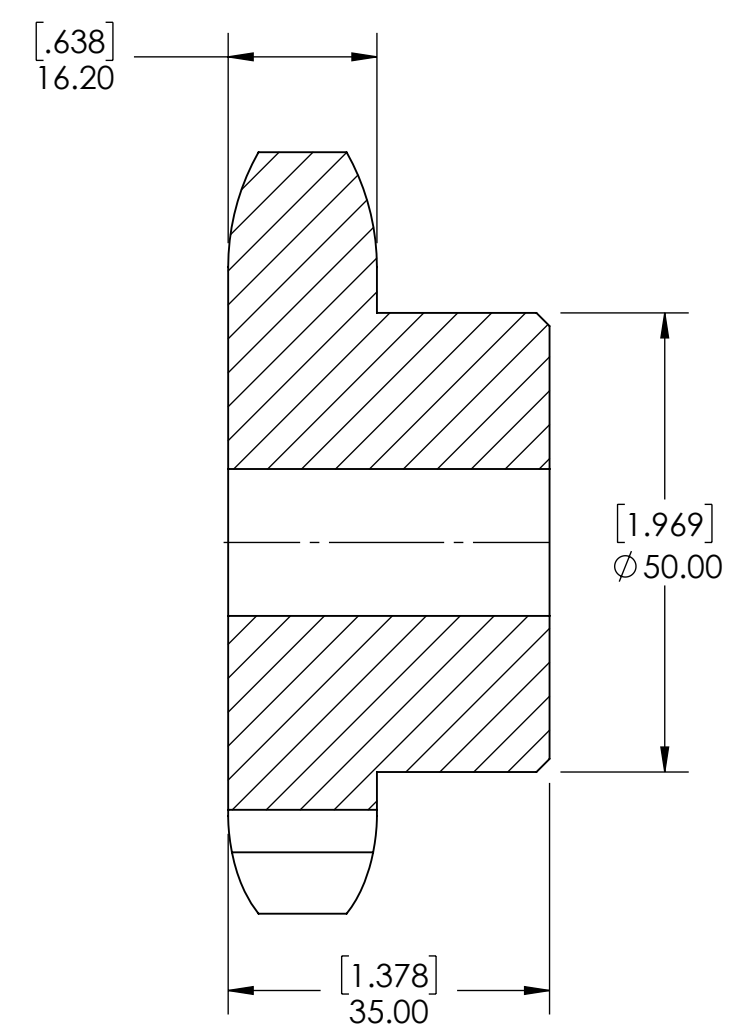
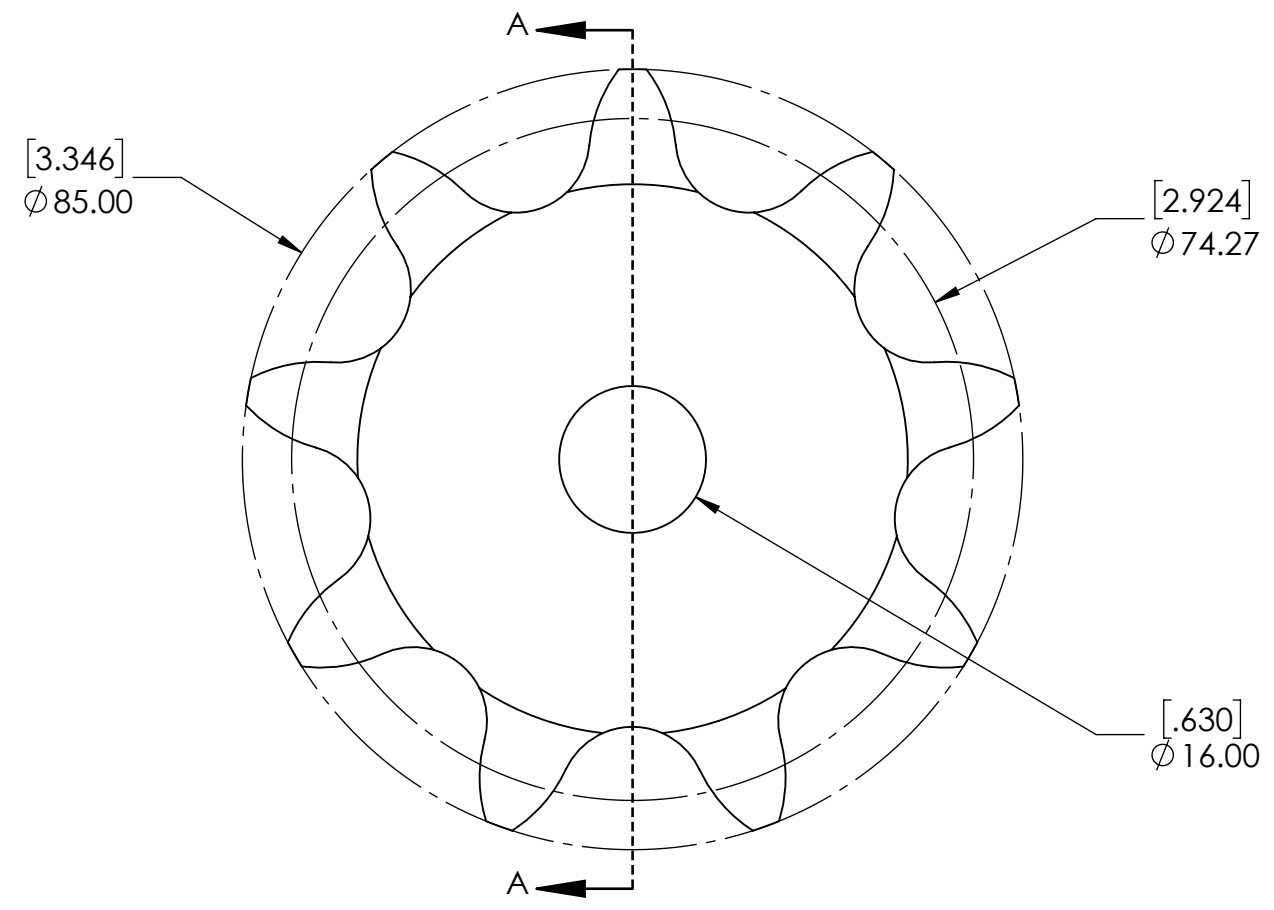


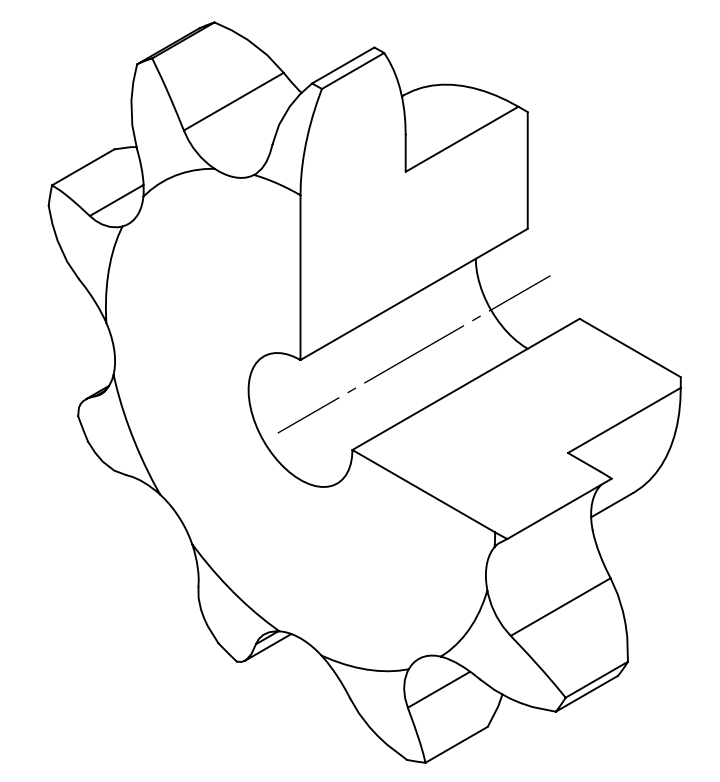
9 8 7 6 5 4 3 2 1

G
F
E
D
C
B
A

G
F
E
D
C
B
A



SECTION A-A



SPROCKETS SPECIFICATIONS		WEIGHT		1.54 LBS	
UNITS	mm (INCH)	MATERIAL	STEEL		
CHAIN SIZE	16B	COATING	BLACK OXIDE		
PITCH	25.40 mm	DRAWN	SEC	07/21/2025	
INNER WIDTH	17.02 mm	CHECKED			
ROLLER DIA.	15.88 mm	APPROVED			
TOOTH WIDTH	16.20 mm				
NUMBER OF TEETH	9				
HUB STYLE	B				
BORE TYPE	PLAIN BORE				
BUSHING NUMBER	N/A				

 	DWG. NO.		DATE	BY	REVISION DESCRIPTION	REV
		<p>PROPRIETARY AND CONFIDENTIAL</p> <p>THE INFORMATION CONTAINED IN THIS DRAWING IS THE SOLE PROPERTY OF SOLVE IMG. ANY REPRODUCTION IN PART OR AS A WHOLE WITHOUT THE WRITTEN PERMISSION OF SOLVE IMG IS PROHIBITED.</p>			16B-9B	1:1
			ITEM DESCRIPTION:			REV
						-

9 8 7 6 5 4 3 2 1