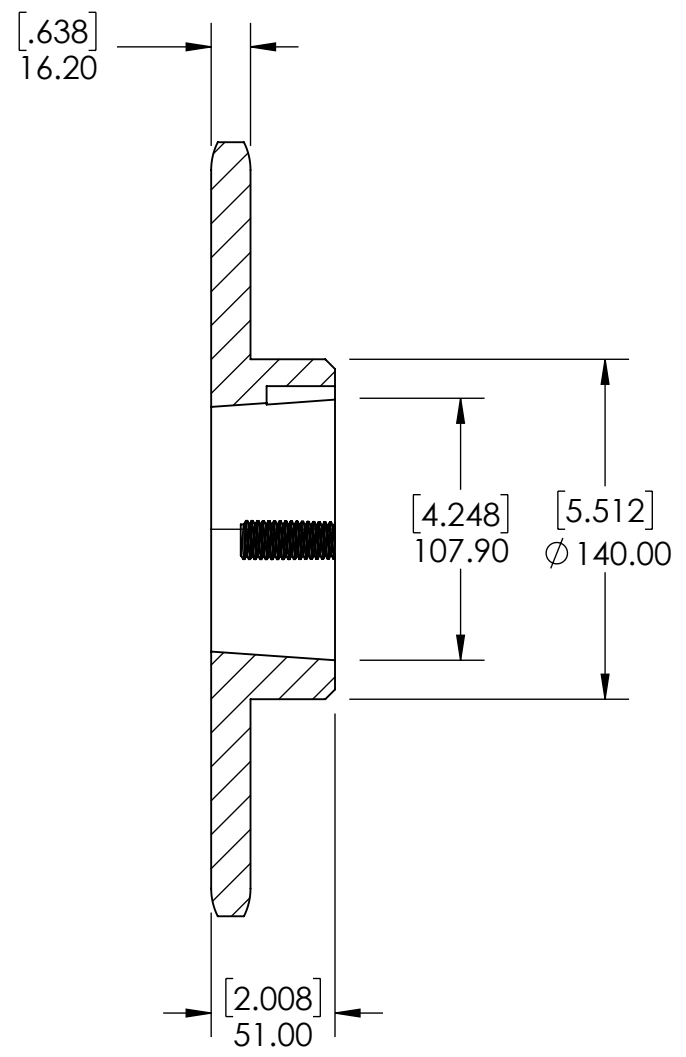
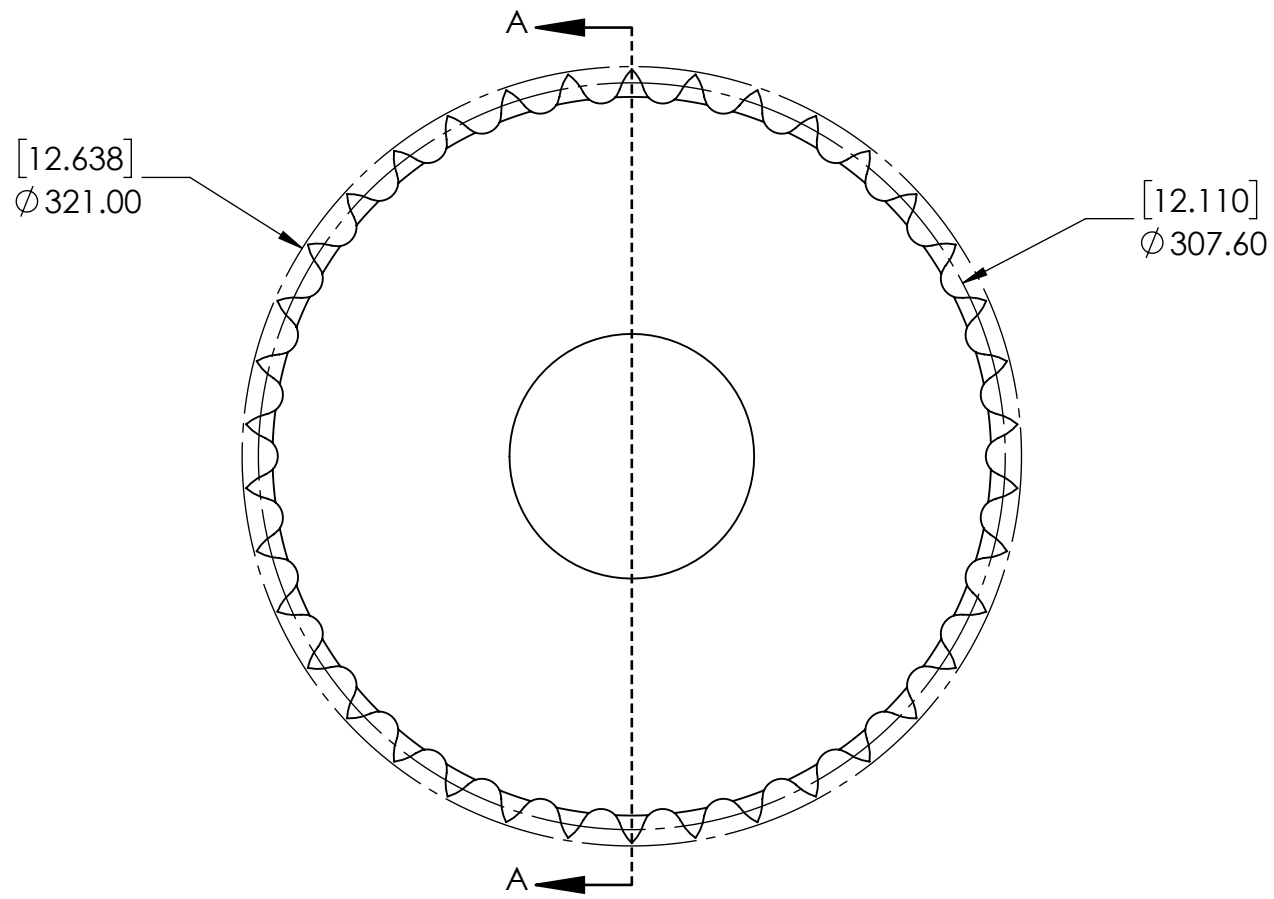


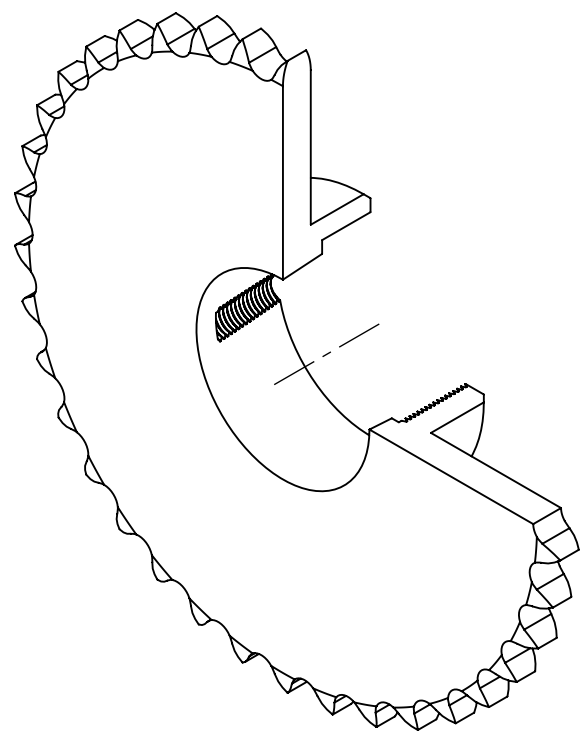
9 8 7 6 5 4 3 2 1

G  
F  
E  
D  
C  
B  
A

G  
F  
E  
D  
C  
B  
A



SECTION A-A



SPROCKETS SPECIFICATIONS		WEIGHT		DATE		BY		REVISION DESCRIPTION		REV
UNITS	mm (INCH)	21.51 LBS								
CHAIN SIZE	16B	STEEL								
PITCH	25.40 mm	BLACK OXIDE		DRAWN SEC 07/21/2025						
INNER WIDTH	17.02 mm			CHECKED SEC 07/28/2025						
ROLLER DIA.	15.88 mm			APPROVED						
TOOTH WIDTH	16.20 mm									
NUMBER OF TEETH	38									
HUB STYLE	B									
BORE TYPE	FOR TAPER BUSHING									
BUSHING NUMBER	3020									
		DWG. NO.		<b>PROPRIETARY AND CONFIDENTIAL</b> <small>THE INFORMATION CONTAINED IN THIS DRAWING IS THE SOLE PROPERTY OF SOLVE IMG. ANY REPRODUCTION IN PART OR AS A WHOLE WITHOUT THE WRITTEN PERMISSION OF SOLVE IMG IS PROHIBITED.</small>		ITEM DESCRIPTION:		16B-38TL-3020		SCALE 1:1
										REV -

9 8 7 6 5 4 3 2 1