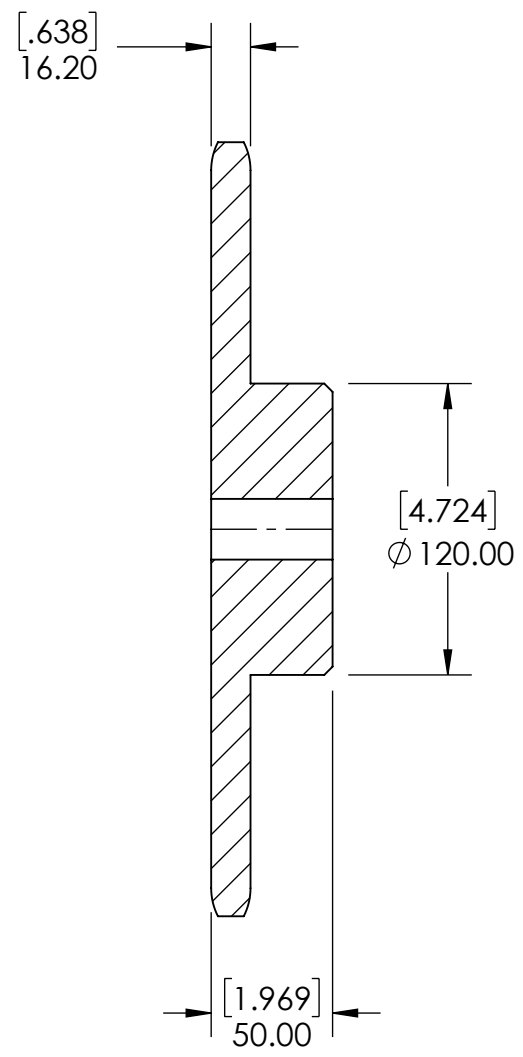
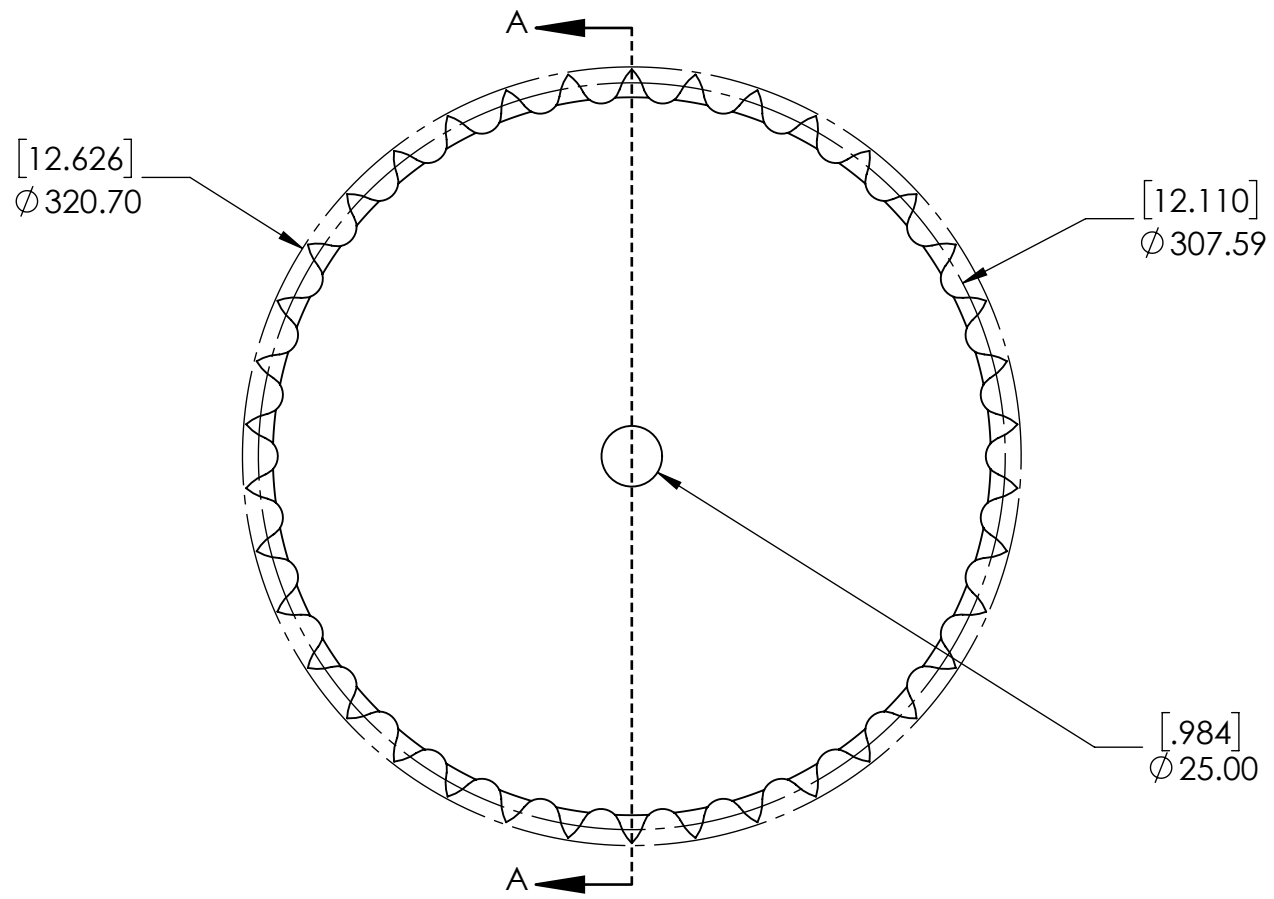


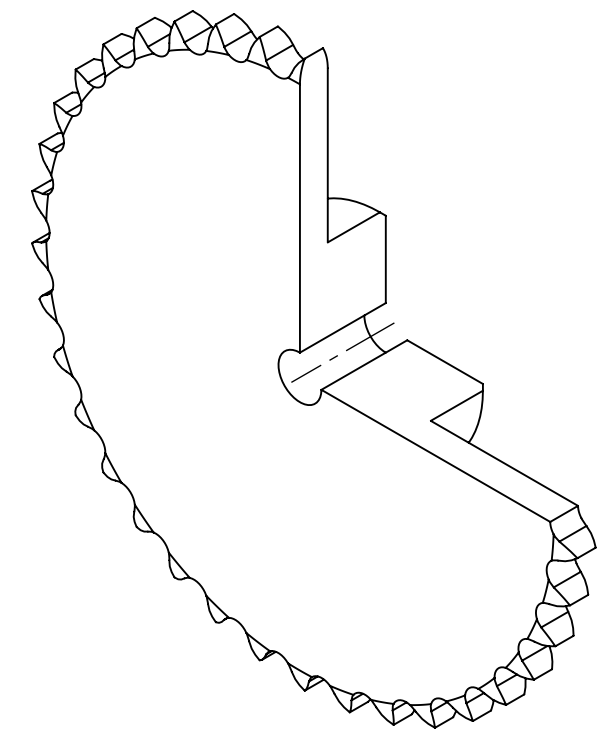
9 8 7 6 5 4 3 2 1

G
F
E
D
C
B
A

G
F
E
D
C
B
A



SECTION A-A



SPROCKETS SPECIFICATIONS		WEIGHT		DATE		BY		REVISION DESCRIPTION		REV
UNITS	mm (INCH)	26.11 LBS								
CHAIN SIZE	16B	MATERIAL	STEEL							
PITCH	25.40 mm	COATING	BLACK OXIDE	DRAWN	SEC	07/21/2025				
INNER WIDTH	17.02 mm	CHECKED	PT	07/29/2025						
ROLLER DIA.	15.88 mm	APPROVED								
TOOTH WIDTH	16.20 mm									
NUMBER OF TEETH	38									
HUB STYLE	B	DWG. NO.		DATE		BY		REVISION DESCRIPTION		SCALE
BORE TYPE	PLAIN BORE	B		16B-38B						1:1
BUSHING NUMBER	N/A	PTI		ITEM DESCRIPTION:						REV
		PROPRIETARY AND CONFIDENTIAL		16B-38B						-
		THE INFORMATION CONTAINED IN THIS DRAWING IS THE SOLE PROPERTY OF SOLVE IMG. ANY REPRODUCTION IN PART OR AS A WHOLE WITHOUT THE WRITTEN PERMISSION OF SOLVE IMG IS PROHIBITED.								

9 8 7 6 5 4 3 2 1