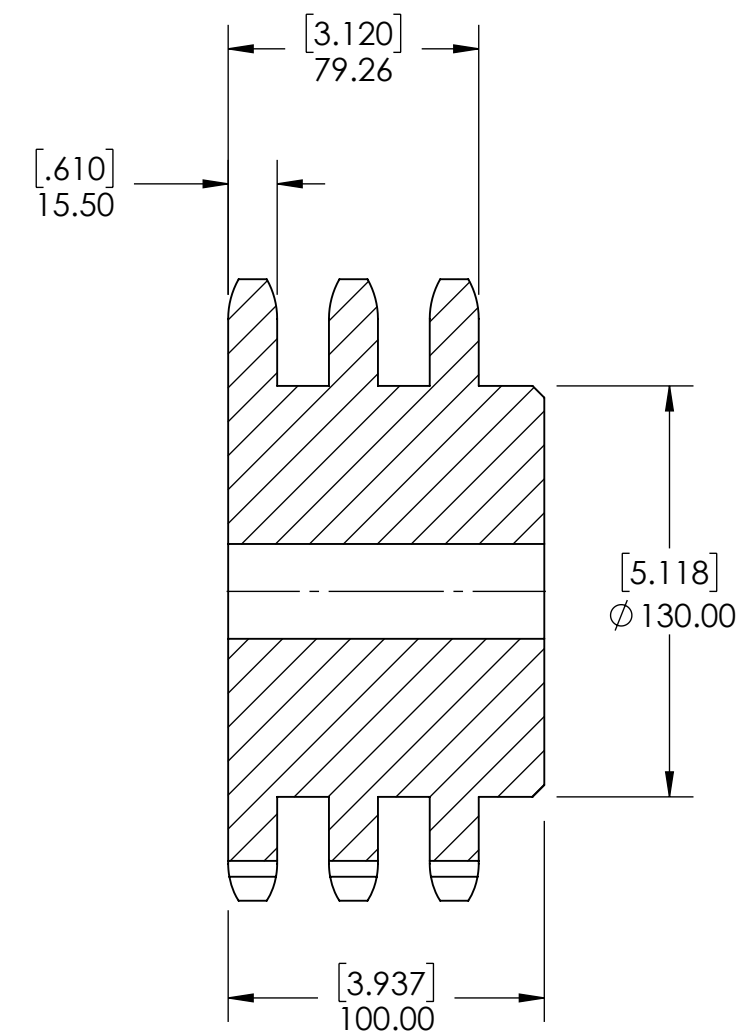
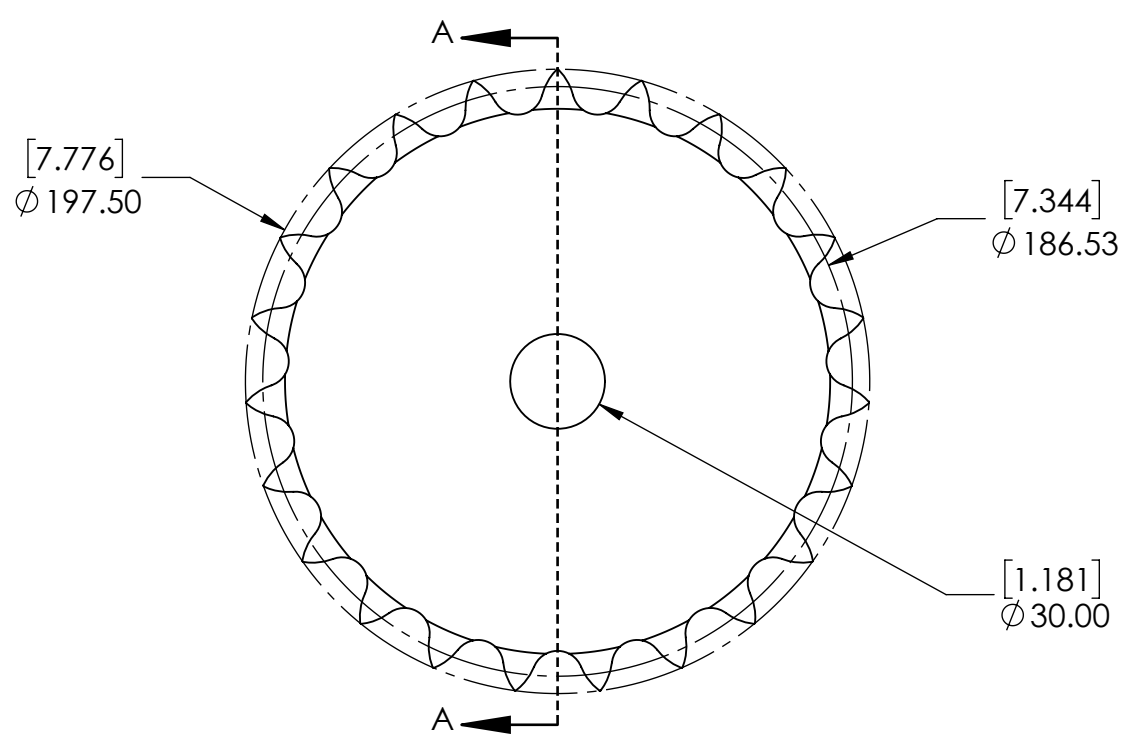
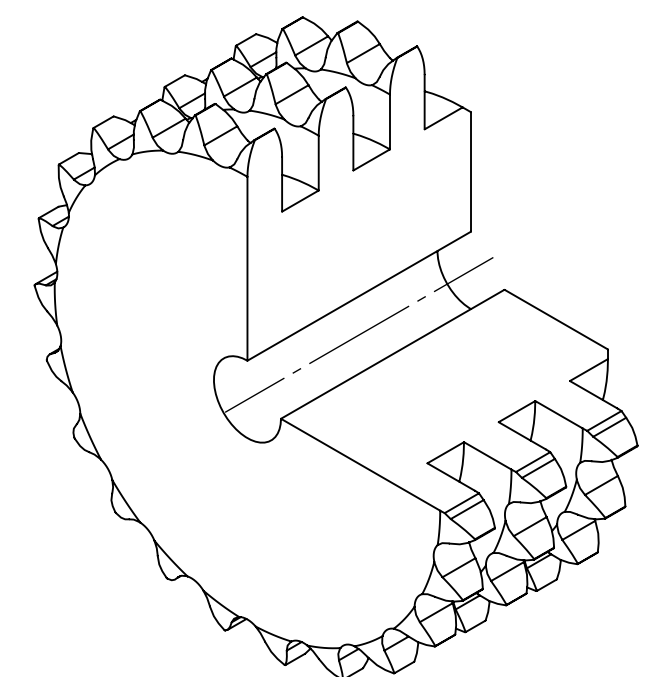


9 8 7 6 5 4 3 2 1

G F E D C B A



SECTION A-A



SPROCKETS SPECIFICATIONS		WEIGHT		DATE		BY		REVISION DESCRIPTION		REV
UNITS	mm (INCH)	MATERIAL	STEEL							SCALE
CHAIN SIZE	16B	COATING	BLACK OXIDE							1:1
PITCH	25.40 mm	DRAWN	SEC 08/04/2025							REV
INNER WIDTH	17.02 mm	CHECKED	SEC 08/04/2025							-
ROLLER DIA.	15.88 mm	APPROVED								
TOOTH WIDTH	15.50 mm									
NUMBER OF TEETH	23									
HUB STYLE	B									
BORE TYPE	PLAIN BORE									
BUSHING NUMBER	N/A									
		DWG. NO.		ITEM DESCRIPTION:		16B-3-23B				



THIRD ANGLE PROJECTION

PROPRIETARY AND CONFIDENTIAL  
THE INFORMATION CONTAINED IN THIS DRAWING IS THE SOLE PROPERTY OF SOLVE IMG. ANY REPRODUCTION IN PART OR AS A WHOLE WITHOUT THE WRITTEN PERMISSION OF SOLVE IMG IS PROHIBITED.

9 8 7 6 5 4 3 2 1

A B C D E F G