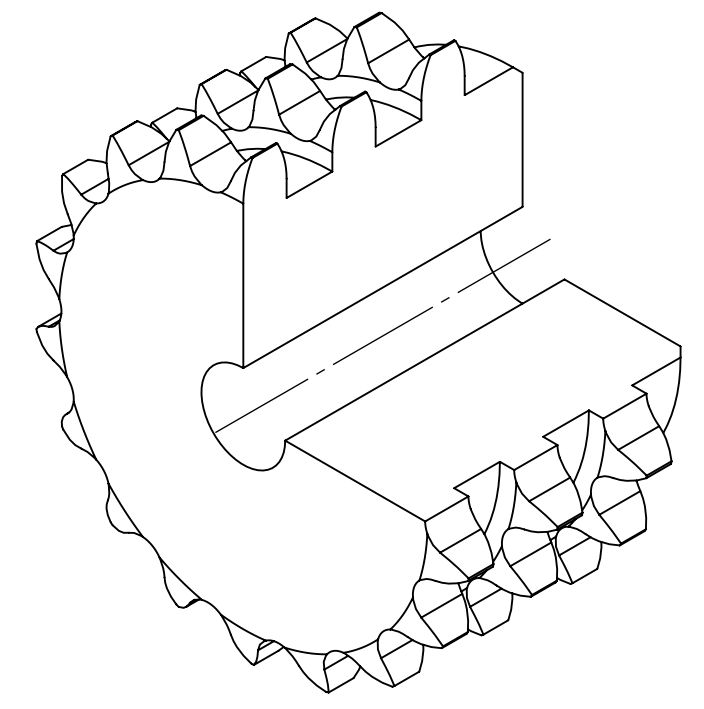
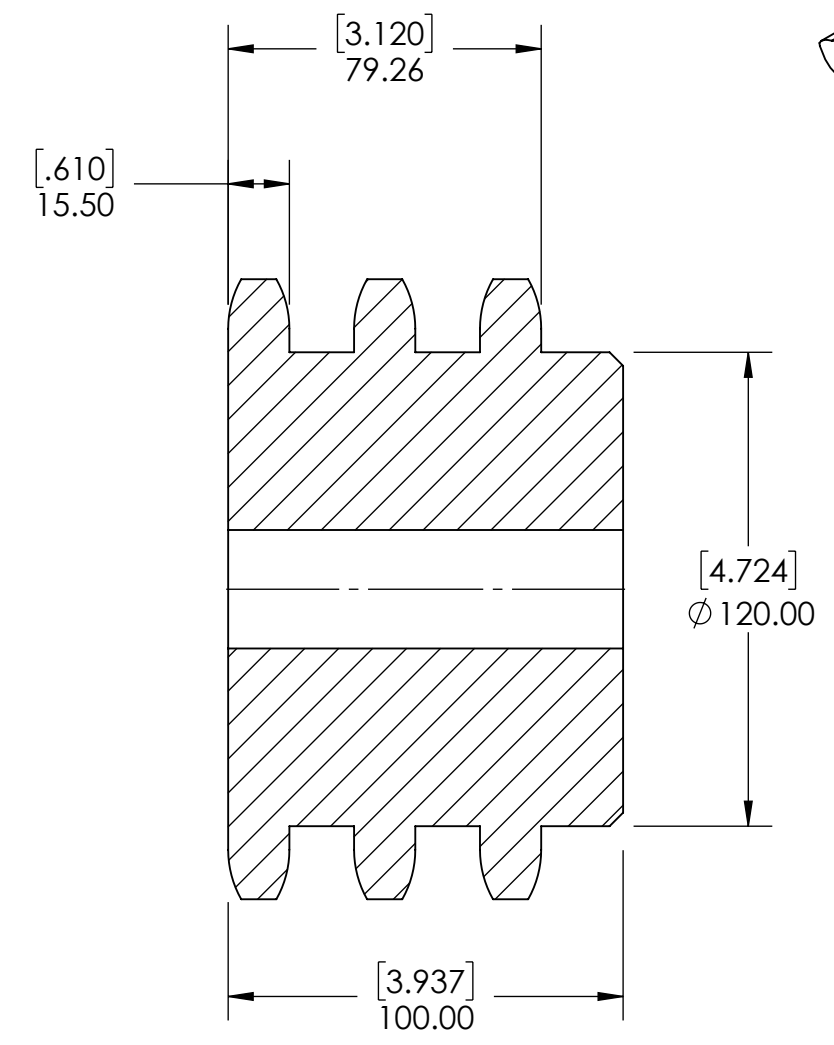
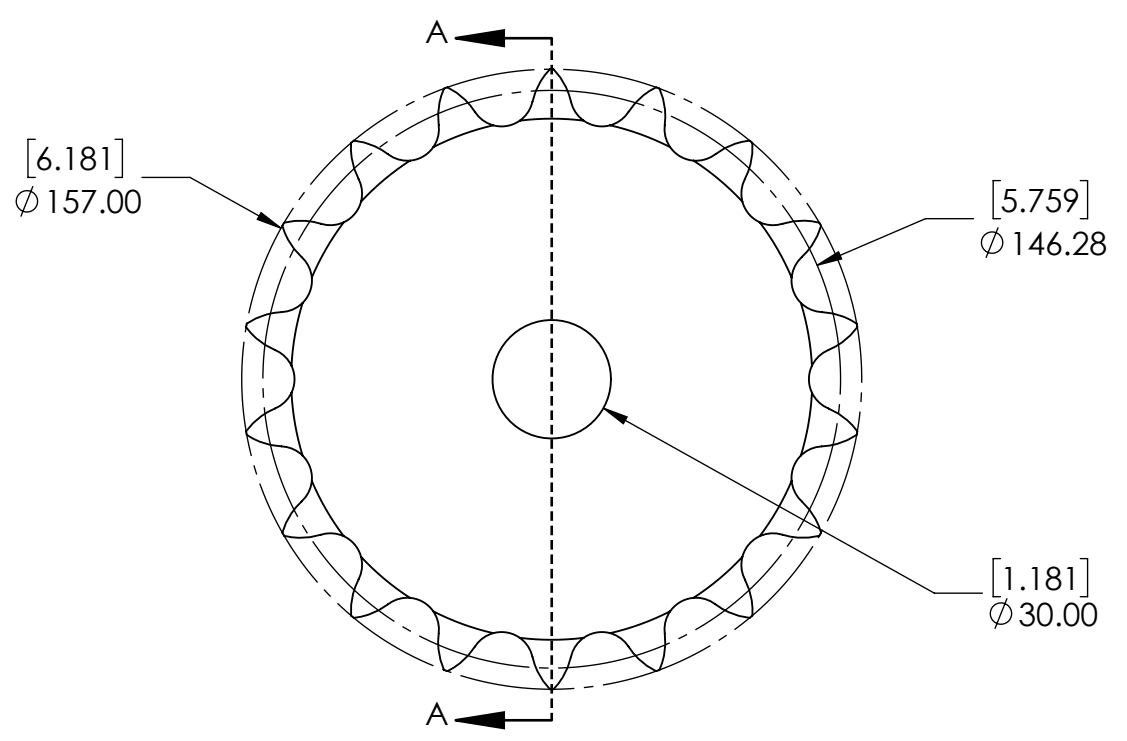


9 8 7 6 5 4 3 2 1

G
F
E
D
C
B
A

G
F
E
D
C
B
A



SECTION A-A

| SPROCKETS SPECIFICATIONS | | WEIGHT | | DATE | | BY | | REVISION DESCRIPTION | | REV |
|--------------------------|------------|-----------|-------------|---|-----|------------|--|----------------------|--|----------|
| UNITS | mm (INCH) | 21.54 LBS | | | | | | | | |
| CHAIN SIZE | 16B | MATERIAL | STEEL | | | | | | | |
| PITCH | 25.40 mm | COATING | BLACK OXIDE | DRAWN | SEC | 08/04/2025 | | | | |
| INNER WIDTH | 17.02 mm | CHECKED | SEC | 08/04/2025 | | | | | | |
| ROLLER DIA. | 15.88 mm | APPROVED | | | | | | | | |
| TOOTH WIDTH | 15.50 mm | | | ITEM DESCRIPTION: | | 16B-3-18B | | SCALE 1:1 | | REV - |
| NUMBER OF TEETH | 18 | | | | | | | | | |
| HUB STYLE | B | DWG. NO. | | PROPRIETARY AND CONFIDENTIAL | | | | | | |
| BORE TYPE | PLAIN BORE | | | <small>THE INFORMATION CONTAINED IN THIS DRAWING IS THE SOLE PROPERTY OF SOLVE IMG. ANY REPRODUCTION IN PART OR AS A WHOLE WITHOUT THE WRITTEN PERMISSION OF SOLVE IMG IS PROHIBITED.</small> | | | | | | |
| BUSHING NUMBER | N/A | | | | | | | | | |

9 8 7 6 5 4 3 2 1