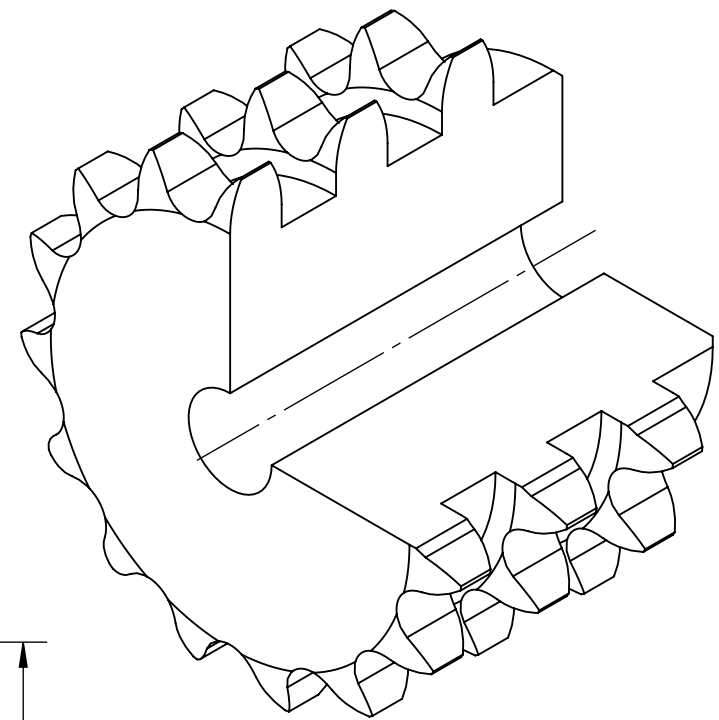
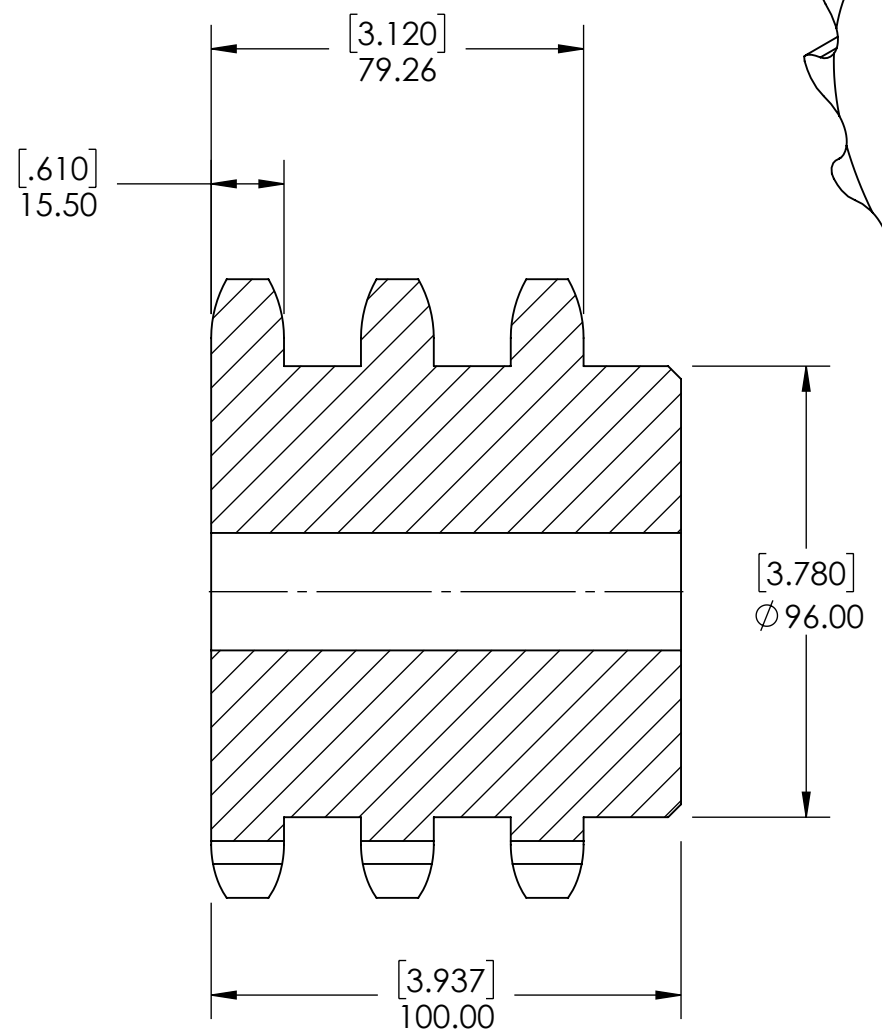
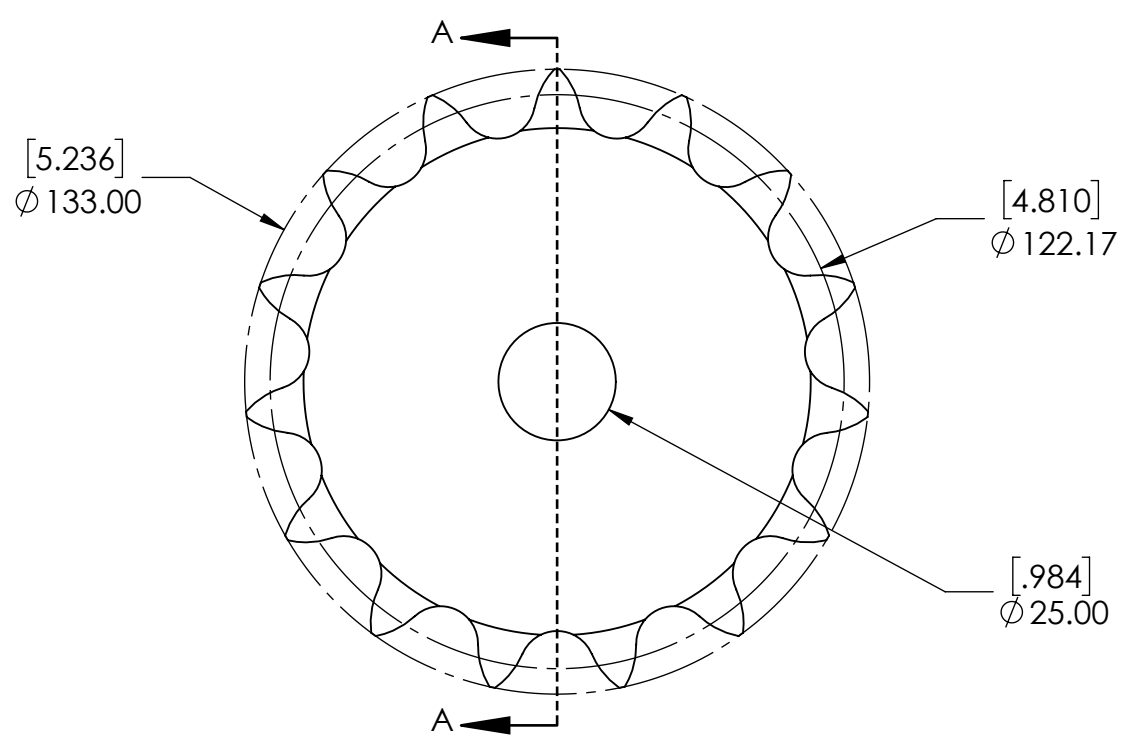


9 8 7 6 5 4 3 2 1

G  
F  
E  
D  
C  
B  
A

G  
F  
E  
D  
C  
B  
A



SECTION A-A

SPROCKETS SPECIFICATIONS		WEIGHT		14.29 LBS	
UNITS	mm (INCH)	MATERIAL	STEEL		
CHAIN SIZE	16B	COATING	BLACK OXIDE		
PITCH	25.40 mm	DRAWN	SEC	08/04/2025	
INNER WIDTH	17.02 mm	CHECKED	SEC	08/04/2025	
ROLLER DIA.	15.88 mm	APPROVED	DATE BY REVISION DESCRIPTION		
TOOTH WIDTH	15.50 mm		ITEM DESCRIPTION:		
NUMBER OF TEETH	15		16B-3-15B		
HUB STYLE	B	DWG. NO.		SCALE	
BORE TYPE	PLAIN BORE			1:1	
BUSHING NUMBER	N/A	<small>PROPRIETARY AND CONFIDENTIAL THE INFORMATION CONTAINED IN THIS DRAWING IS THE SOLE PROPERTY OF SOLVE IMG. ANY REPRODUCTION IN PART OR AS A WHOLE WITHOUT THE WRITTEN PERMISSION OF SOLVE IMG IS PROHIBITED.</small>		REV	
					-

9 8 7 6 5 4 3 2 1