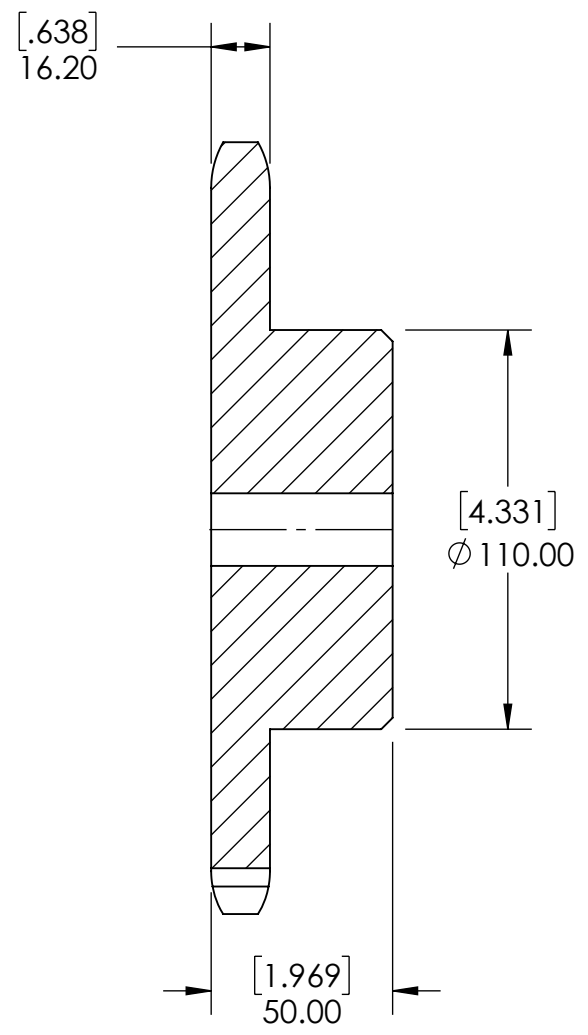
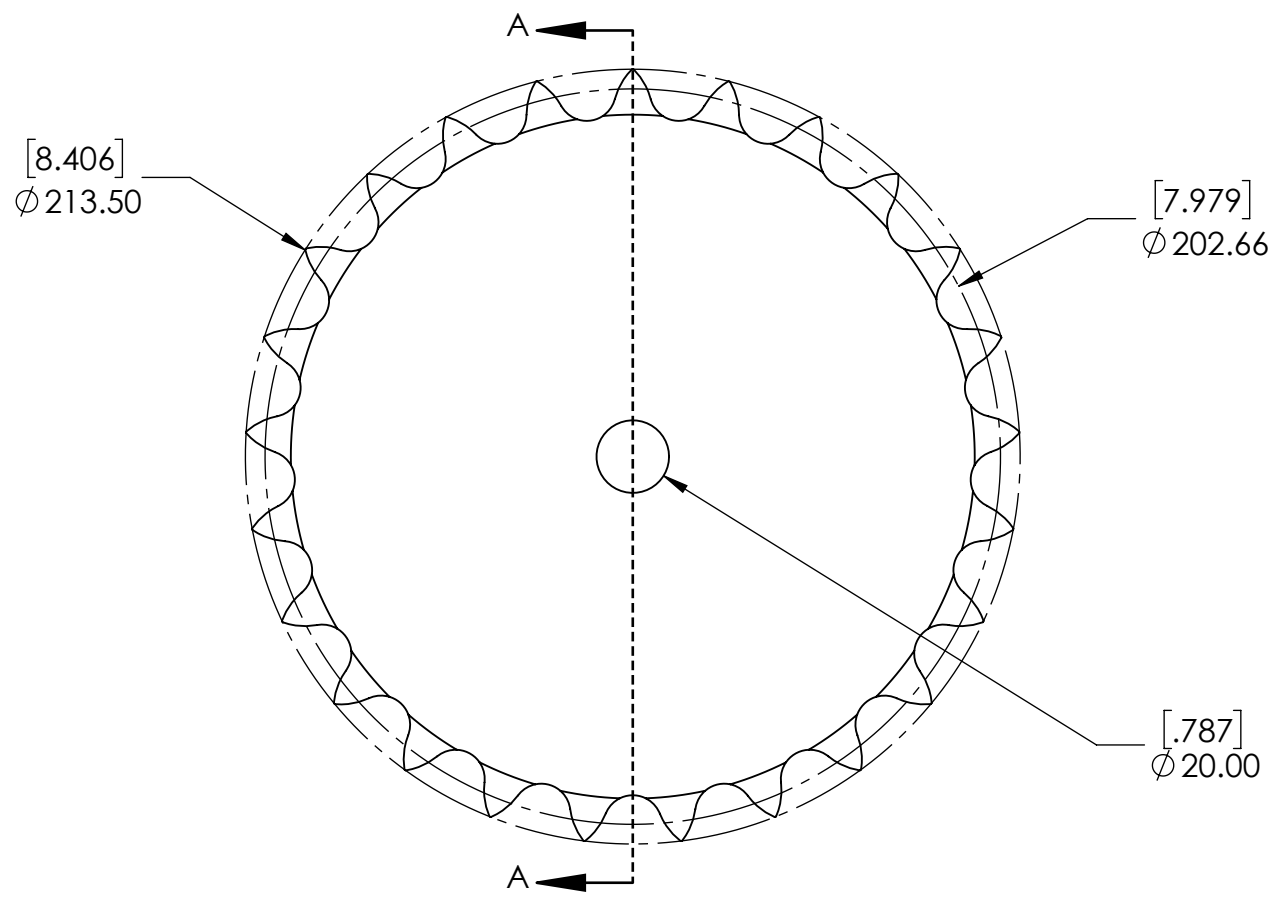


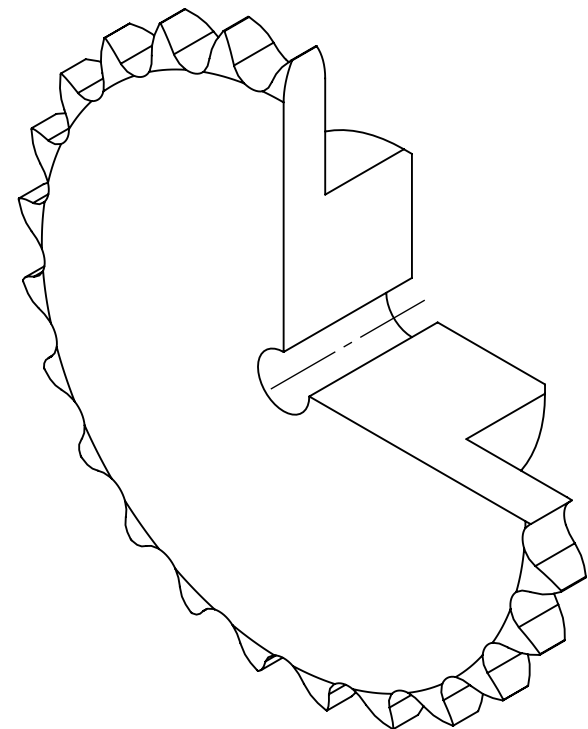
9 8 7 6 5 4 3 2 1

G
F
E
D
C
B
A

G
F
E
D
C
B
A



SECTION A-A



SPROCKETS SPECIFICATIONS		WEIGHT		13.72 LBS	
UNITS	mm (INCH)	MATERIAL	STEEL		
CHAIN SIZE	16B	COATING	BLACK OXIDE		
PITCH	25.40 mm	DRAWN	SEC	07/21/2025	
INNER WIDTH	17.02 mm	CHECKED			
ROLLER DIA.	15.88 mm	APPROVED			
TOOTH WIDTH	16.20 mm	DATE	BY	REVISION DESCRIPTION	
NUMBER OF TEETH	25	ITEM DESCRIPTION:		16B-25B	
HUB STYLE	B	DWG. NO.		SCALE	1:1
BORE TYPE	PLAIN BORE	PROPRIETARY AND CONFIDENTIAL		REV	-
BORE NUMBER	N/A	THE INFORMATION CONTAINED IN THIS DRAWING IS THE SOLE PROPERTY OF SOLVE IMG. ANY REPRODUCTION IN PART OR AS A WHOLE WITHOUT THE WRITTEN PERMISSION OF SOLVE IMG IS PROHIBITED.			

9 8 7 6 5 4 3 2 1