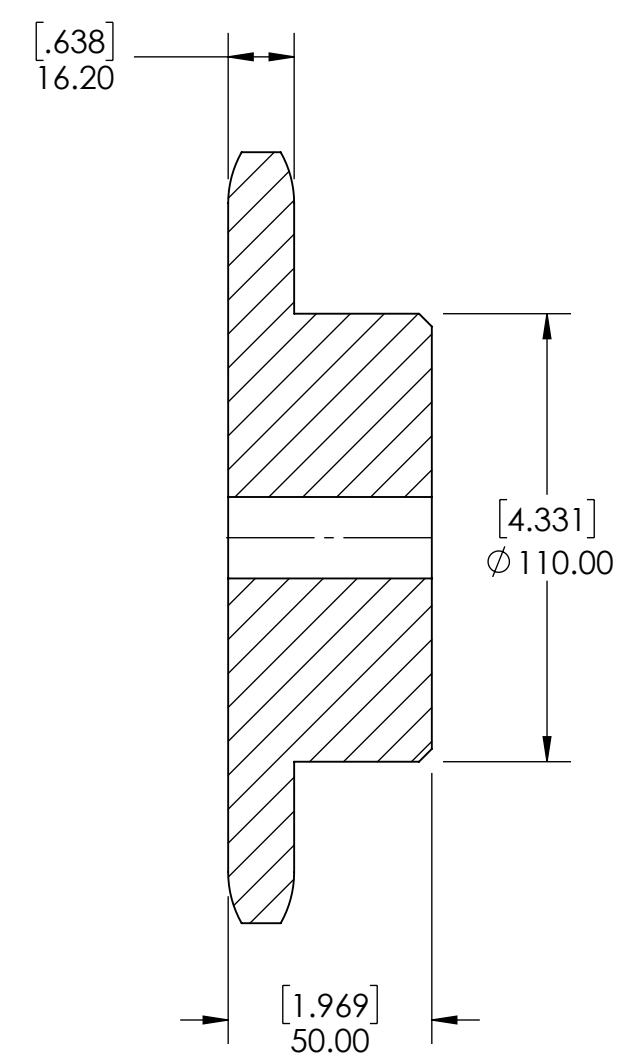
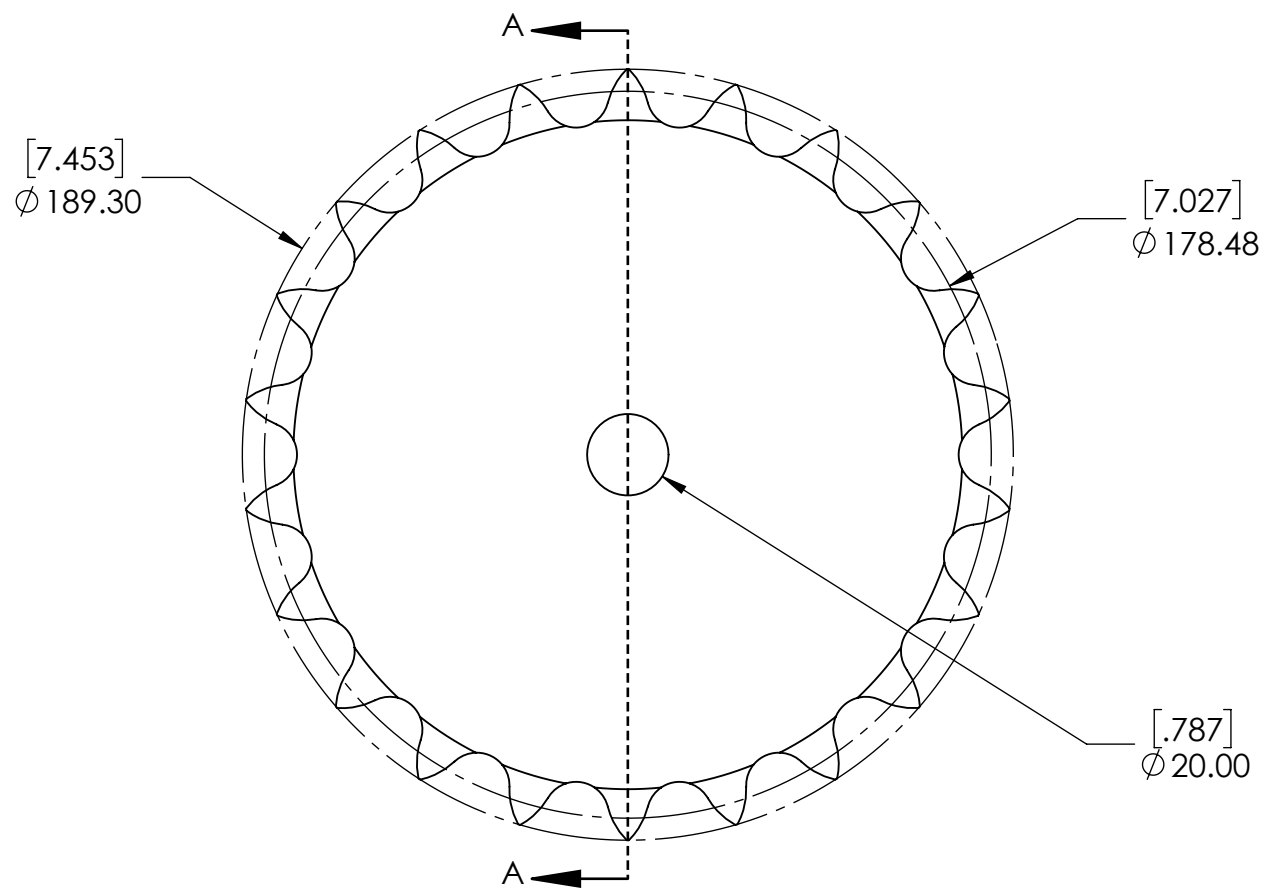


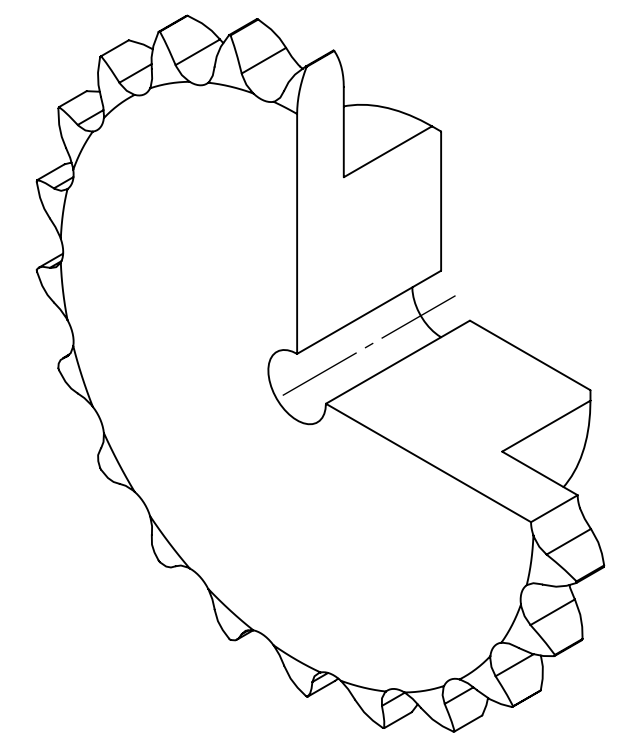
9 8 7 6 5 4 3 2 1

G  
F  
E  
D  
C  
B  
A

G  
F  
E  
D  
C  
B  
A



SECTION A-A



SPROCKETS SPECIFICATIONS		WEIGHT		11.76 LBS	
UNITS	mm (INCH)	MATERIAL	STEEL		
CHAIN SIZE	16B	COATING	BLACK OXIDE		
PITCH	25.40 mm	DRAWN	SEC	07/21/2025	
INNER WIDTH	17.02 mm	CHECKED			
ROLLER DIA.	15.88 mm	APPROVED			
TOOTH WIDTH	16.20 mm	THIRD ANGLE PROJECTION			
NUMBER OF TEETH	22	DATE	BY	REVISION DESCRIPTION	
HUB STYLE	B				
BORE TYPE	PLAIN BORE				
BUSHING NUMBER	N/A				
		DWG. NO.		16B-22B	
		 <b>PTI</b>		ITEM DESCRIPTION:	
		PROPRIETARY AND CONFIDENTIAL <small>THE INFORMATION CONTAINED IN THIS DRAWING IS THE SOLE PROPERTY OF SOLVE IMG. ANY REPRODUCTION IN PART OR AS A WHOLE WITHOUT THE WRITTEN PERMISSION OF SOLVE IMG IS PROHIBITED.</small>		SCALE: 1:1	
				REV: -	

9 8 7 6 5 4 3 2 1