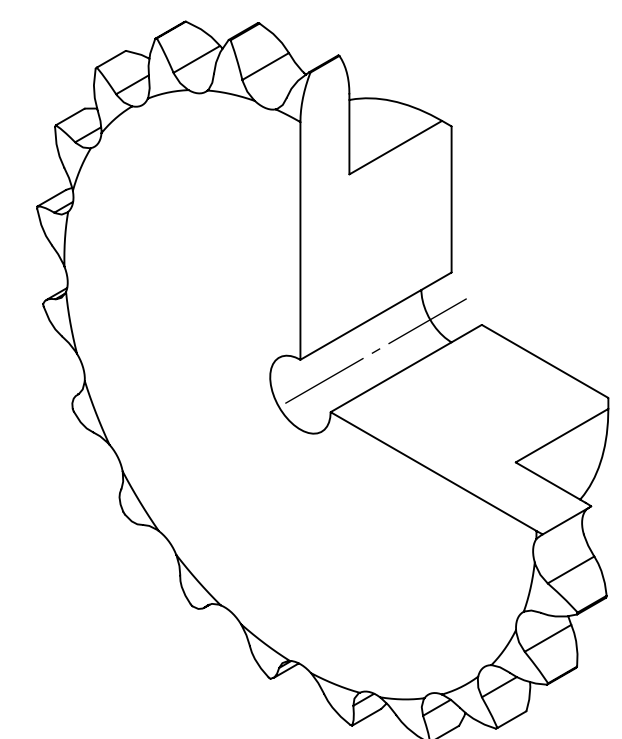
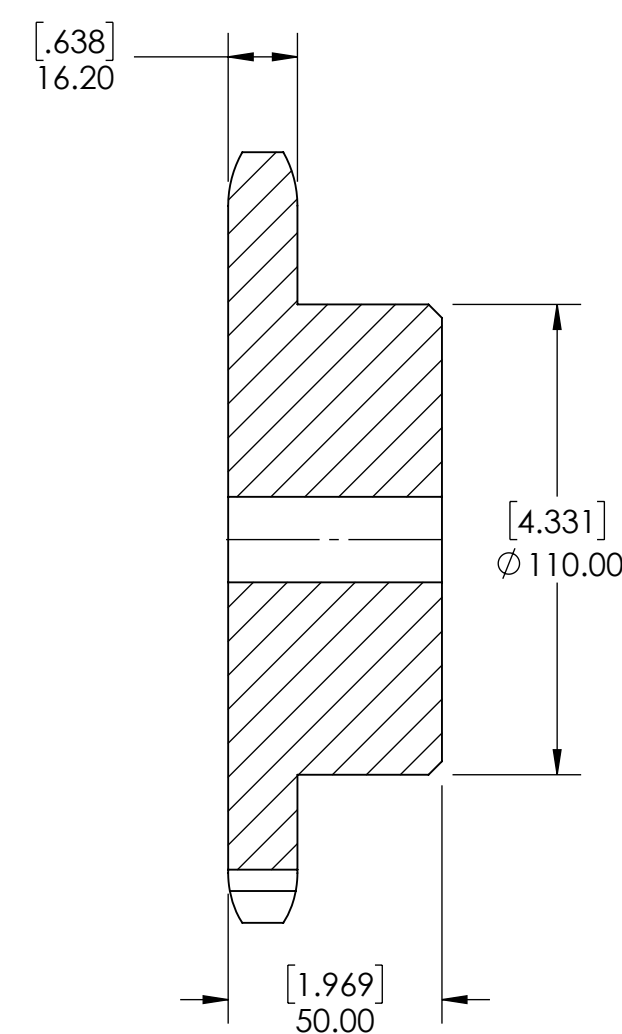
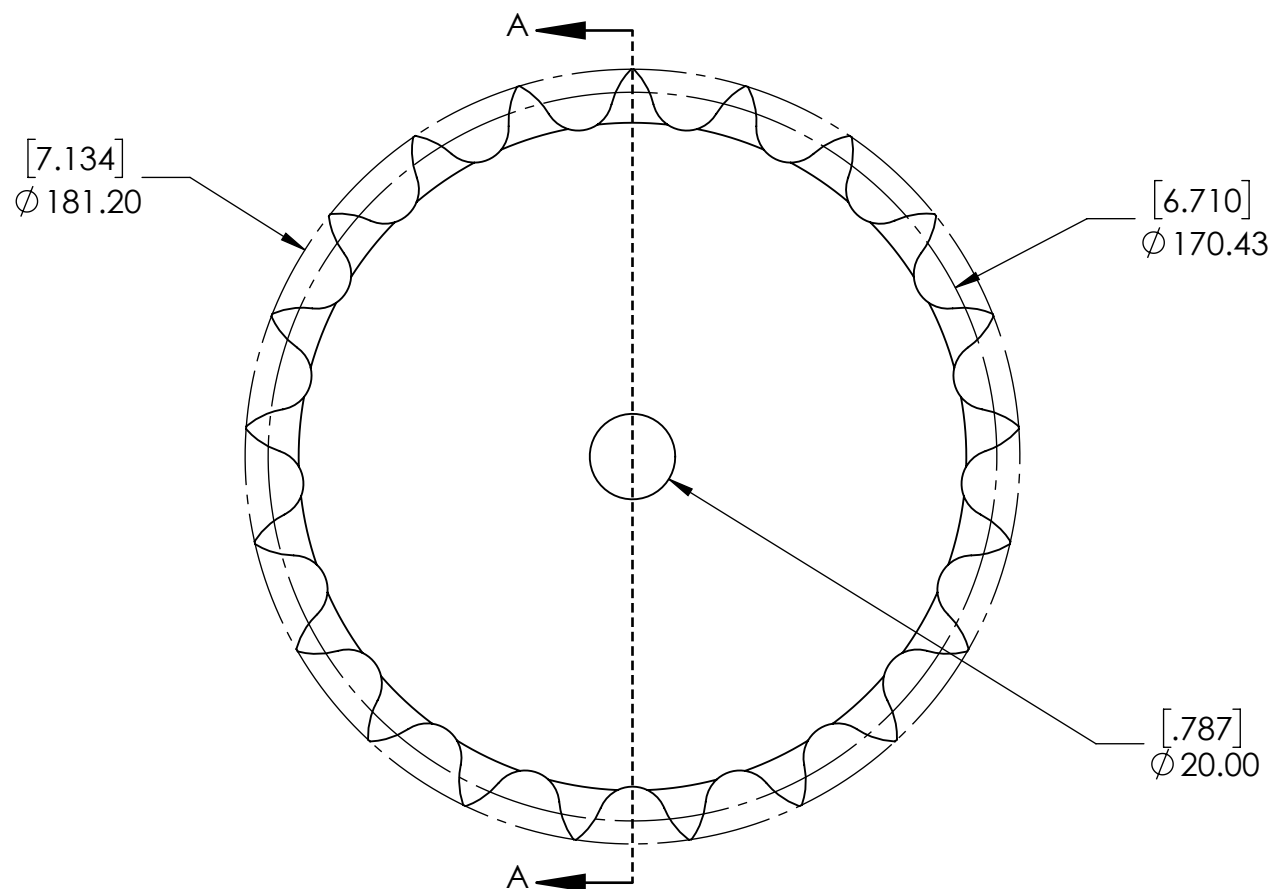


9 8 7 6 5 4 3 2 1

G  
F  
E  
D  
C  
B  
A

G  
F  
E  
D  
C  
B  
A



SECTION A-A

SPROCKETS SPECIFICATIONS		WEIGHT		11.17 LBS	
UNITS	mm (INCH)	MATERIAL	STEEL		
CHAIN SIZE	16B	COATING	BLACK OXIDE		
PITCH	25.40 mm	DRAWN	SEC	07/21/2025	
INNER WIDTH	17.02 mm	CHECKED			
ROLLER DIA.	15.88 mm	APPROVED			
TOOTH WIDTH	16.20 mm				
NUMBER OF TEETH	21				
HUB STYLE	B				
BORE TYPE	PLAIN BORE				
BUSHING NUMBER	N/A				

				DATE BY REVISION DESCRIPTION		REV
DWG. NO.		PROPRIETARY AND CONFIDENTIAL <small>THE INFORMATION CONTAINED IN THIS DRAWING IS THE SOLE PROPERTY OF SOLVE IMG. ANY REPRODUCTION IN PART OR AS A WHOLE WITHOUT THE WRITTEN PERMISSION OF SOLVE IMG IS PROHIBITED.</small>		ITEM DESCRIPTION:		SCALE
				16B-21B		1:1
						REV
						-

9 8 7 6 5 4 3 2 1