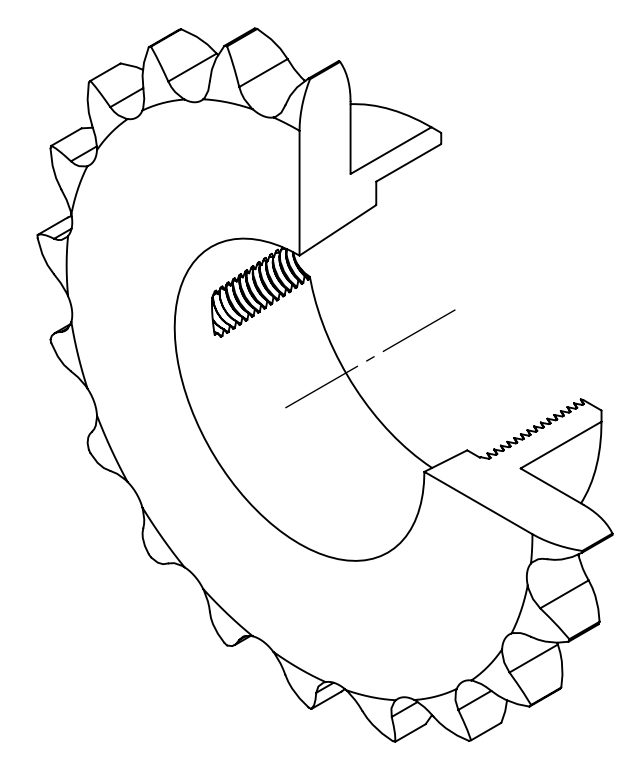
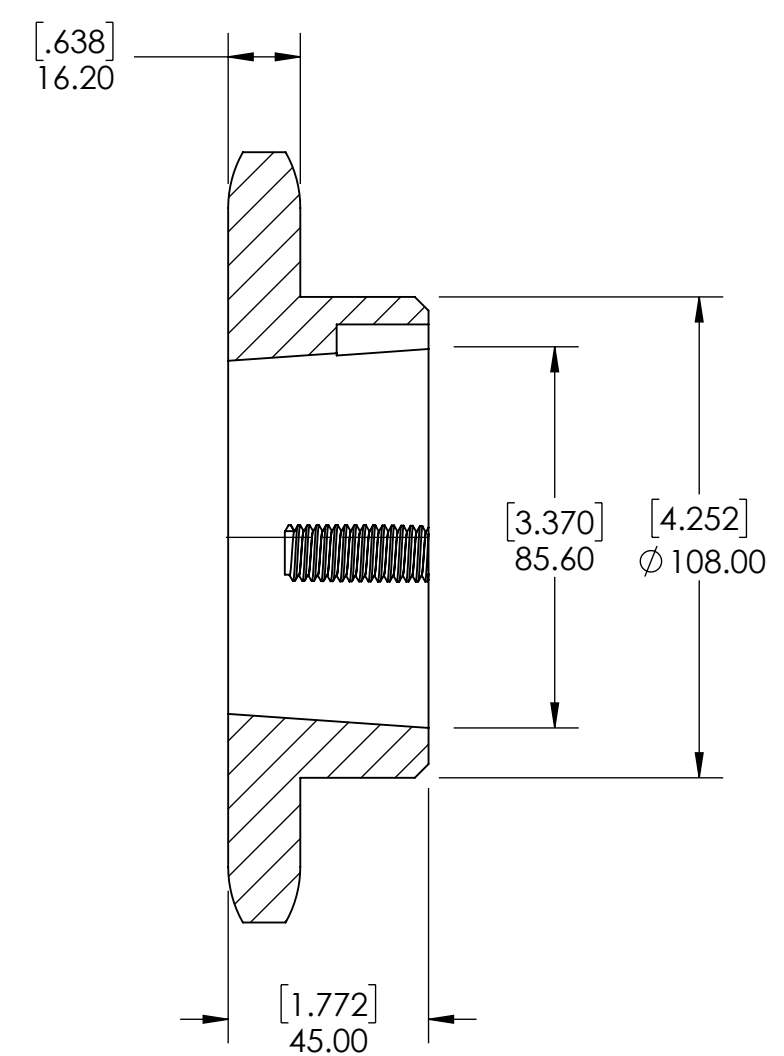
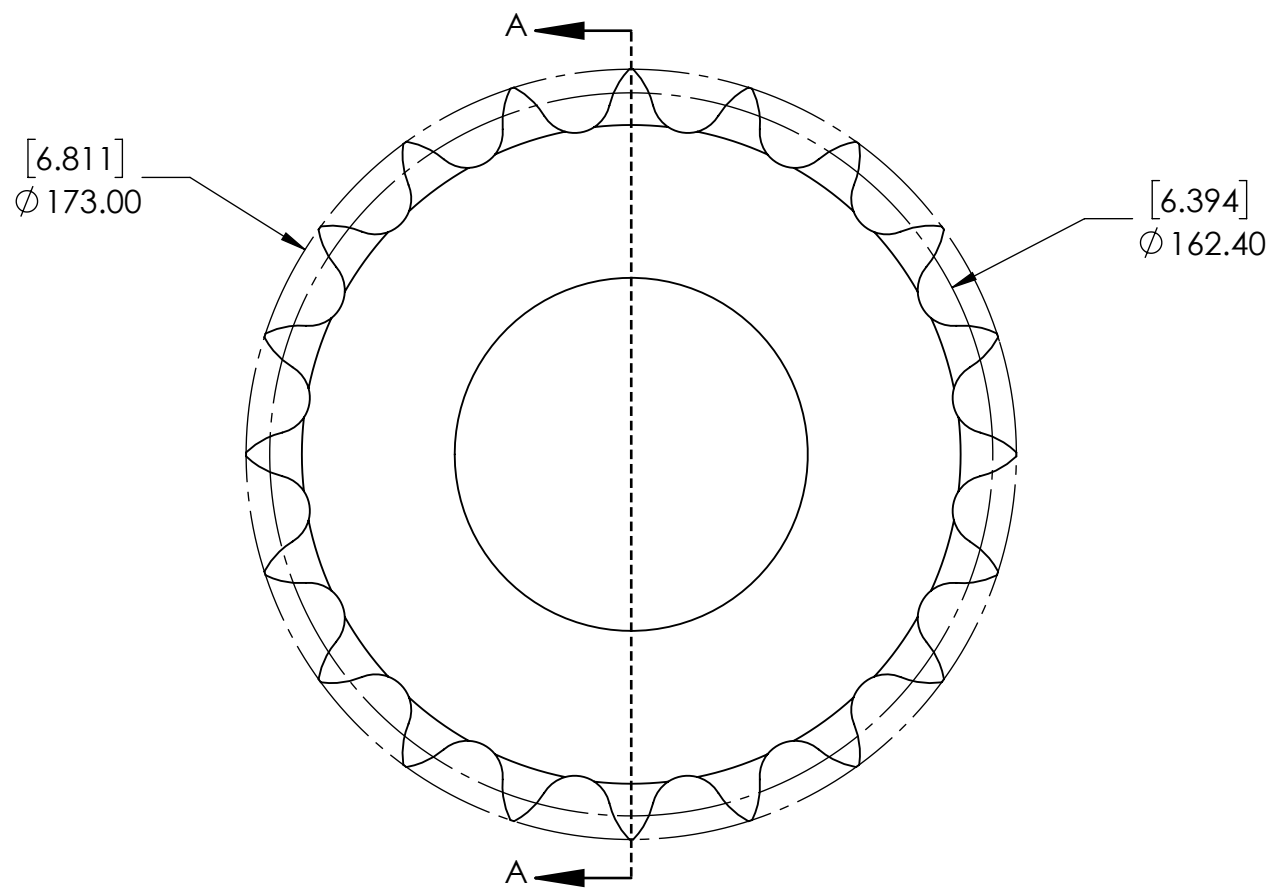


9 8 7 6 5 4 3 2 1

G F E D C B A



SECTION A-A

SPROCKETS SPECIFICATIONS		WEIGHT		DATE		BY		REVISION DESCRIPTION		REV
UNITS	mm (INCH)	5.64 LBS								
CHAIN SIZE	16B	STEEL								
PITCH	25.40 mm	BLACK OXIDE		DRAWN SEC 07/21/2025						
INNER WIDTH	17.02 mm			CHECKED SEC 07/28/2025						
ROLLER DIA.	15.88 mm			APPROVED						
TOOTH WIDTH	16.20 mm									
NUMBER OF TEETH	20									
HUB STYLE	B			DWG. NO.						
BORE TYPE	FOR TAPER BUSHING			<b>PTI</b> <small>INDUSTRIAL MOTION GROUP</small>						
BUSHING NUMBER	2517									
				<small>PROPRIETARY AND CONFIDENTIAL</small> <small>THE INFORMATION CONTAINED IN THIS DRAWING IS THE SOLE PROPERTY OF SOLVE IMG. ANY REPRODUCTION IN PART OR AS A WHOLE WITHOUT THE WRITTEN PERMISSION OF SOLVE IMG IS PROHIBITED.</small>		ITEM DESCRIPTION:		16B-20TL-2517		SCALE
										1:1
										REV
										-

9 8 7 6 5 4 3 2 1

A