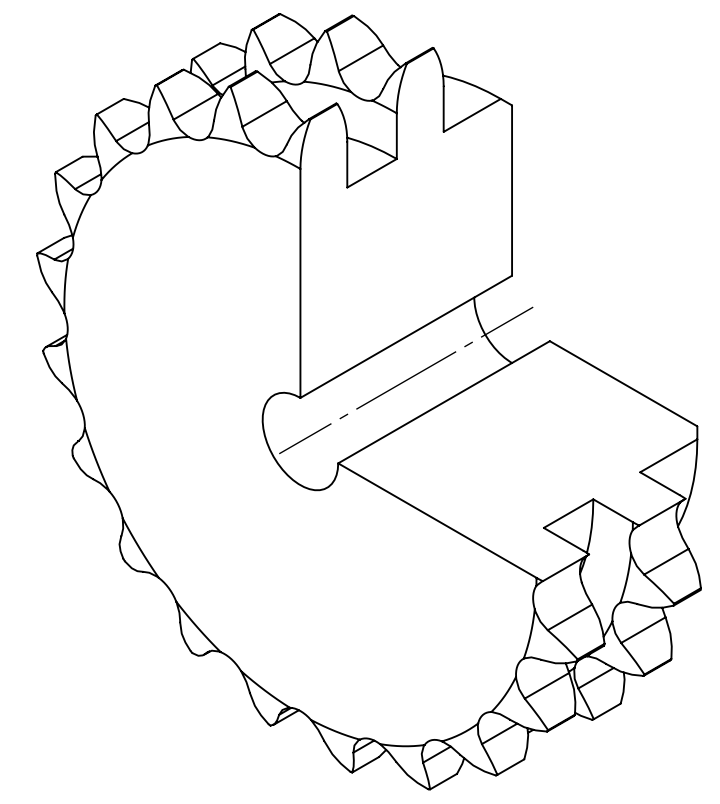
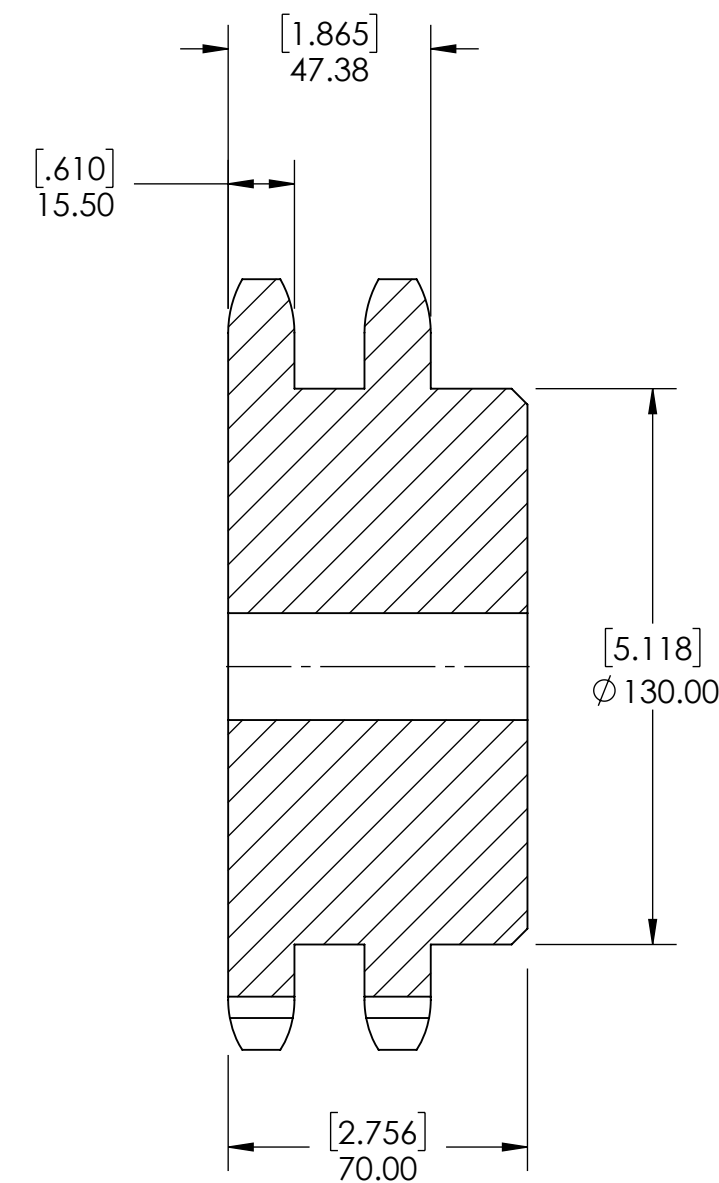
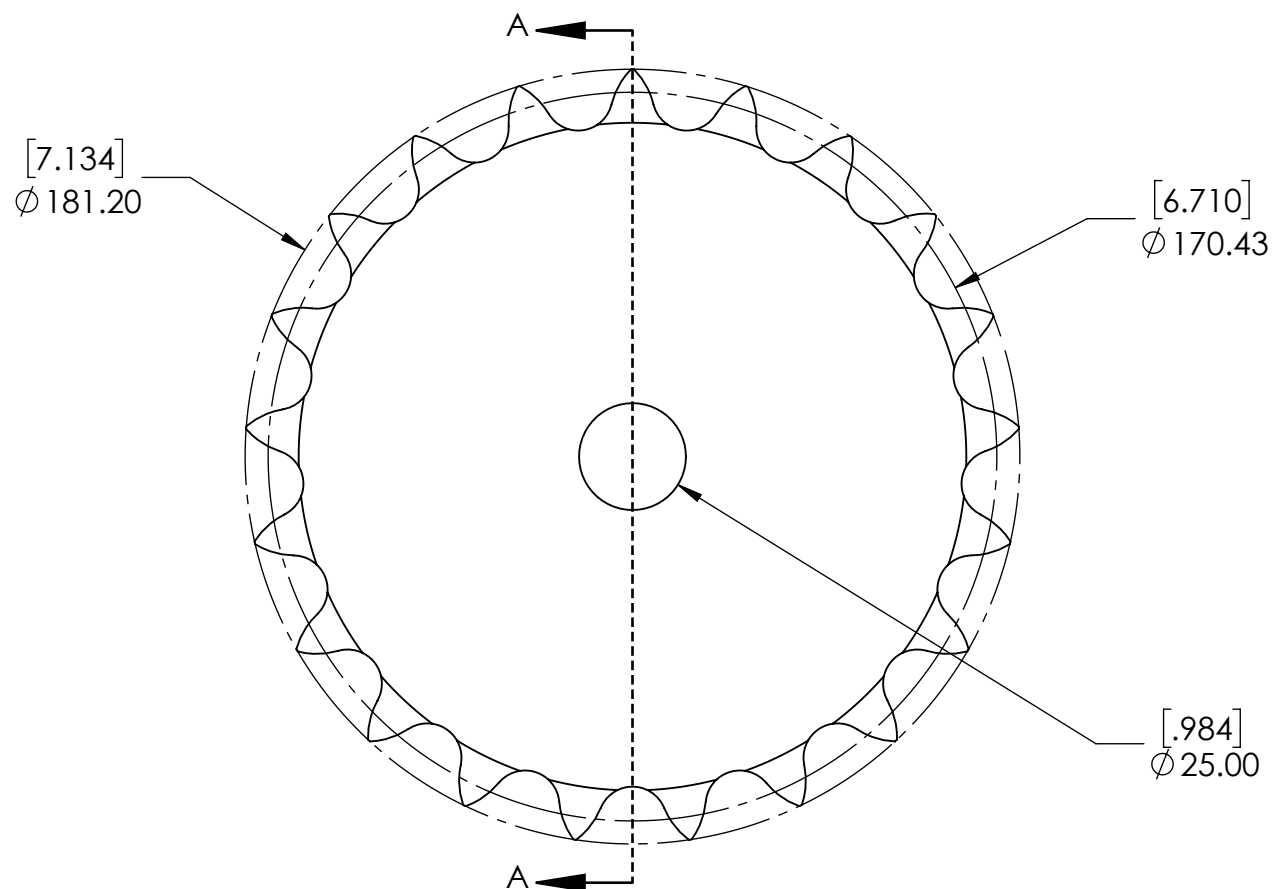


9 8 7 6 5 4 3 2 1

G F E D C B A



SECTION A-A

SPROCKETS SPECIFICATIONS		WEIGHT		DATE		BY		REVISION DESCRIPTION		REV
UNITS	mm (INCH)	19.62 LBS								SCALE
CHAIN SIZE	16B	STEEL								1:1
PITCH	25.40 mm	BLACK OXIDE		07/31/2025						REV
INNER WIDTH	17.02 mm	DRAWN		SEC						-
ROLLER DIA.	15.88 mm	CHECKED		SEC						
TOOTH WIDTH	15.50 mm	APPROVED								
NUMBER OF TEETH	21	THIRD ANGLE PROJECTION								
HUB STYLE	B	DWG. NO.								
BORE TYPE	PLAIN BORE	PTI		PROPRIETARY AND CONFIDENTIAL						
BUSHING NUMBER	N/A	16B-2-21B		THE INFORMATION CONTAINED IN THIS DRAWING IS THE SOLE PROPERTY OF SOLVE IMG. ANY REPRODUCTION IN PART OR AS A WHOLE WITHOUT THE WRITTEN PERMISSION OF SOLVE IMG IS PROHIBITED.						

9 8 7 6 5 4 3 2 1

A B C D E F G