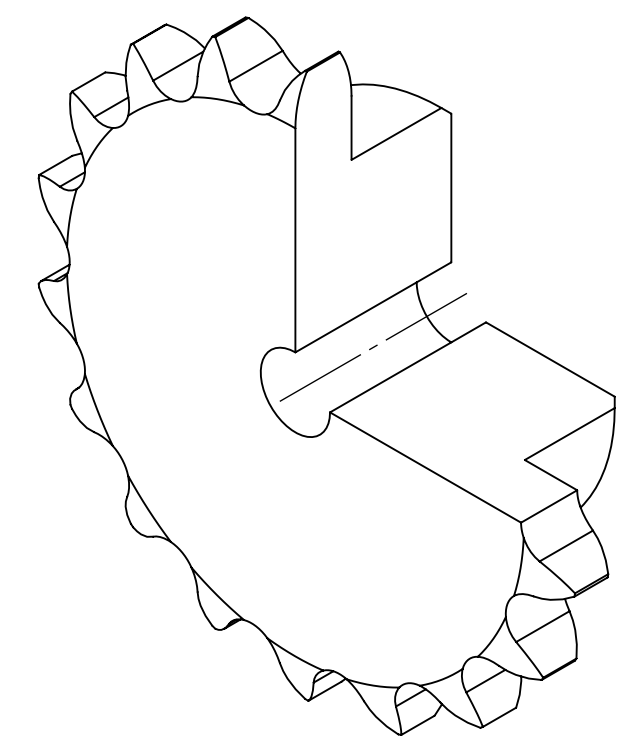
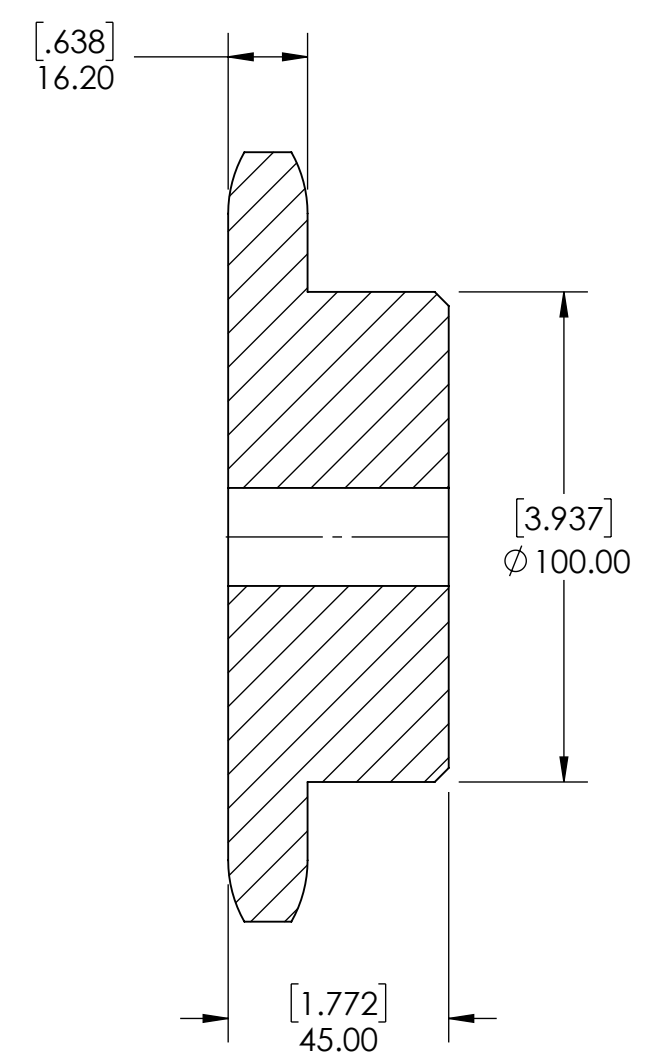
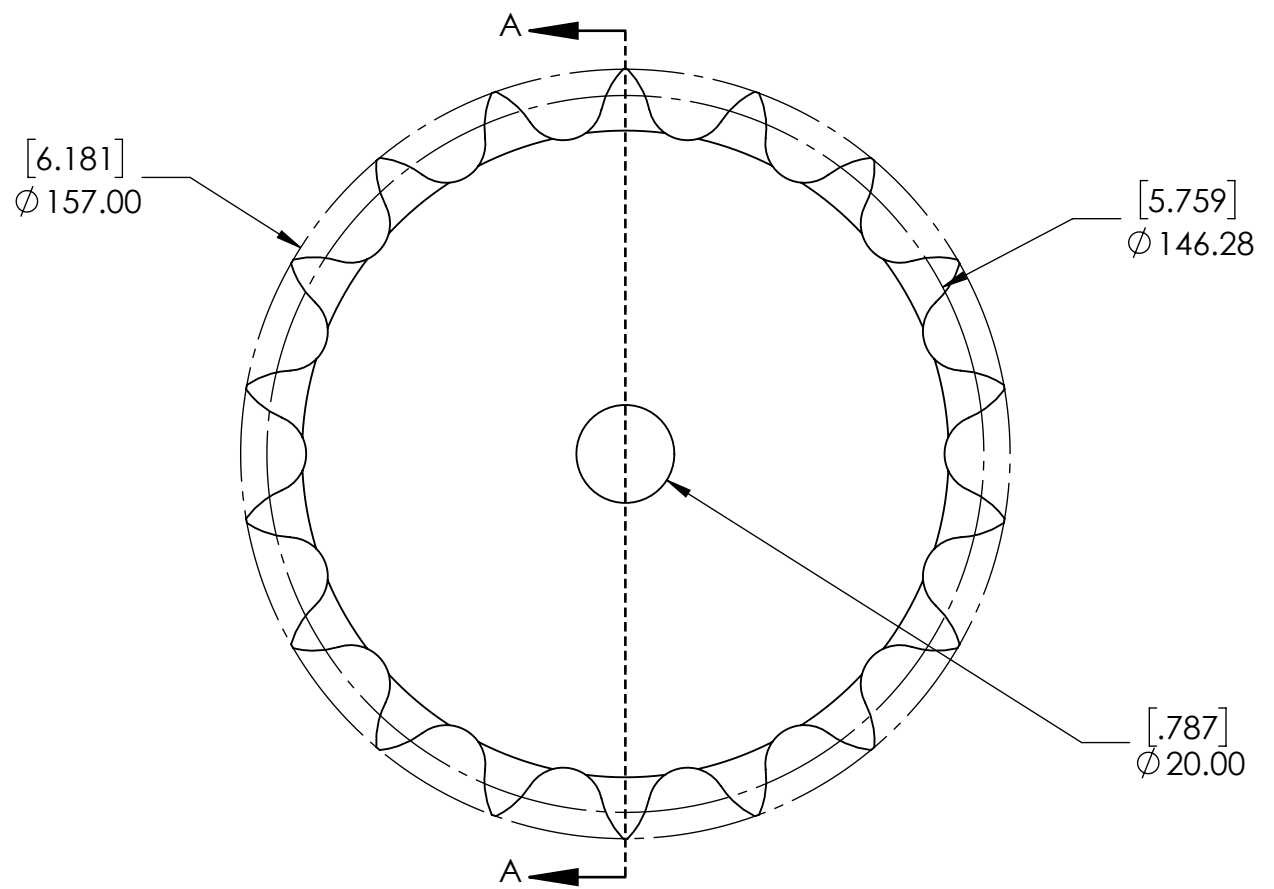


9 8 7 6 5 4 3 2 1

G  
F  
E  
D  
C  
B  
A

G  
F  
E  
D  
C  
B  
A



SECTION A-A

SPROCKETS SPECIFICATIONS		WEIGHT		7.95 LBS			
UNITS	mm (INCH)	MATERIAL	STEEL				
CHAIN SIZE	16B	COATING	BLACK OXIDE				
PITCH	25.40 mm	DRAWN	SEC	07/21/2025			
INNER WIDTH	17.02 mm	CHECKED	PT	07/29/2025			
ROLLER DIA.	15.88 mm	APPROVED					
TOOTH WIDTH	16.20 mm	DATE				BY	REVISION DESCRIPTION
NUMBER OF TEETH	18	ITEM DESCRIPTION:			SCALE		
HUB STYLE	B	16B-18B			1:1		
BORE TYPE	PLAIN BORE				DATE	BY	REV
BUSHING NUMBER	N/A						



PROPRIETARY AND CONFIDENTIAL  
THE INFORMATION CONTAINED IN THIS DRAWING IS THE SOLE PROPERTY OF SOLVE IMG. ANY REPRODUCTION IN PART OR AS A WHOLE WITHOUT THE WRITTEN PERMISSION OF SOLVE IMG IS PROHIBITED.

9 8 7 6 5 4 3 2 1