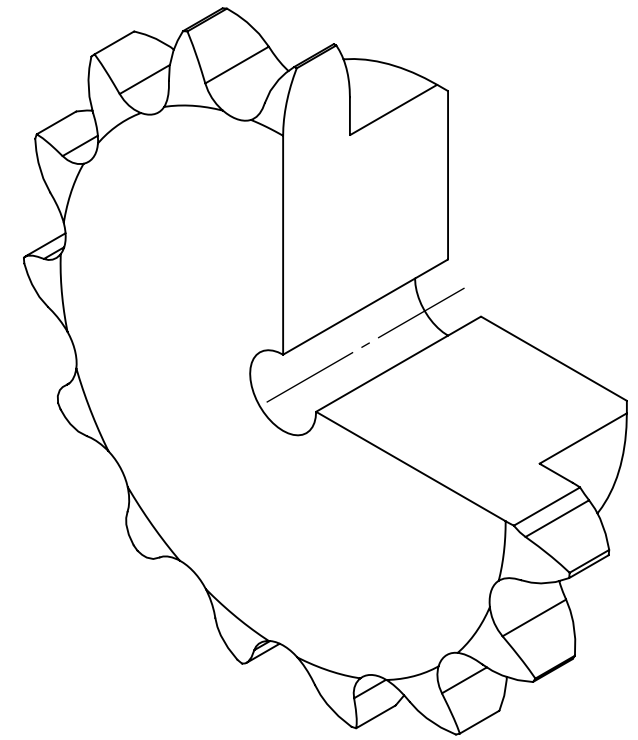
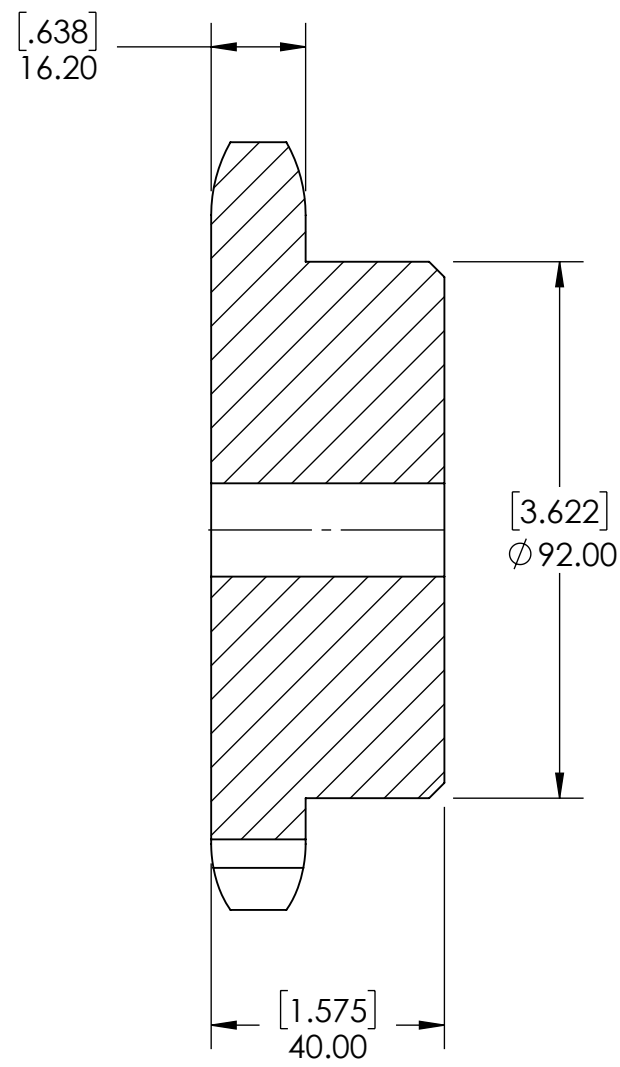
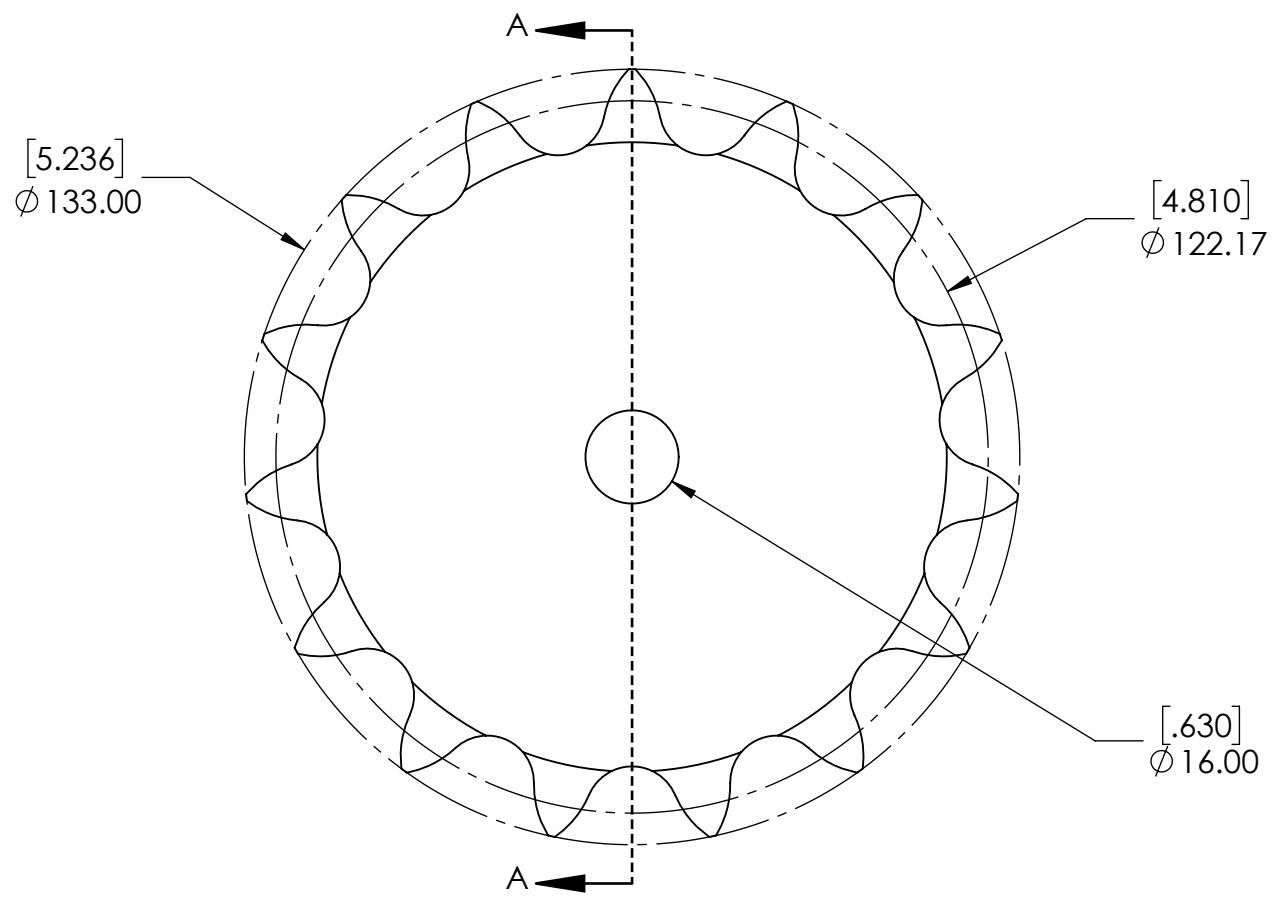


9 8 7 6 5 4 3 2 1

G  
F  
E  
D  
C  
B  
A

G  
F  
E  
D  
C  
B  
A



SECTION A-A

SPROCKETS SPECIFICATIONS		WEIGHT		5.64 LBS	
UNITS	mm (INCH)	MATERIAL	STAINLESS STEEL		
CHAIN SIZE	16B	COATING	N/A		
PITCH	25.40 mm	DRAWN	SEC	07/21/2025	
INNER WIDTH	17.02 mm	CHECKED			
ROLLER DIA.	15.88 mm	APPROVED			
TOOTH WIDTH	16.20 mm				
NUMBER OF TEETH	15				
HUB STYLE	B				
BORE TYPE	PLAIN BORE				
BUSHING NUMBER	N/A				

DATE	BY	REVISION DESCRIPTION	REV
ITEM DESCRIPTION:			SCALE
16B-15BSS			1:1
			REV
			-

9 8 7 6 5 4 3 2 1