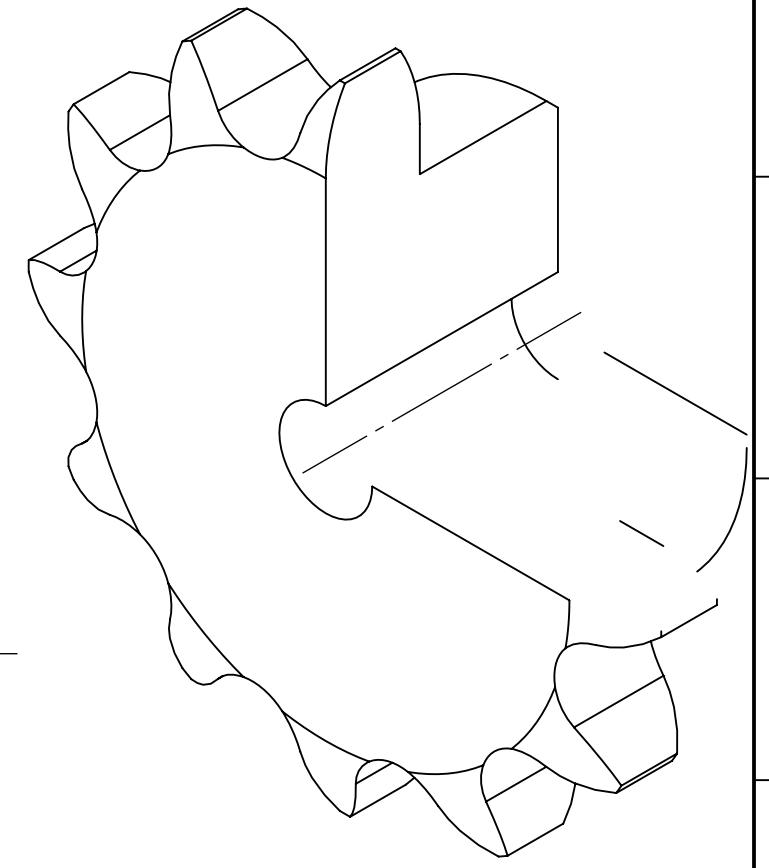
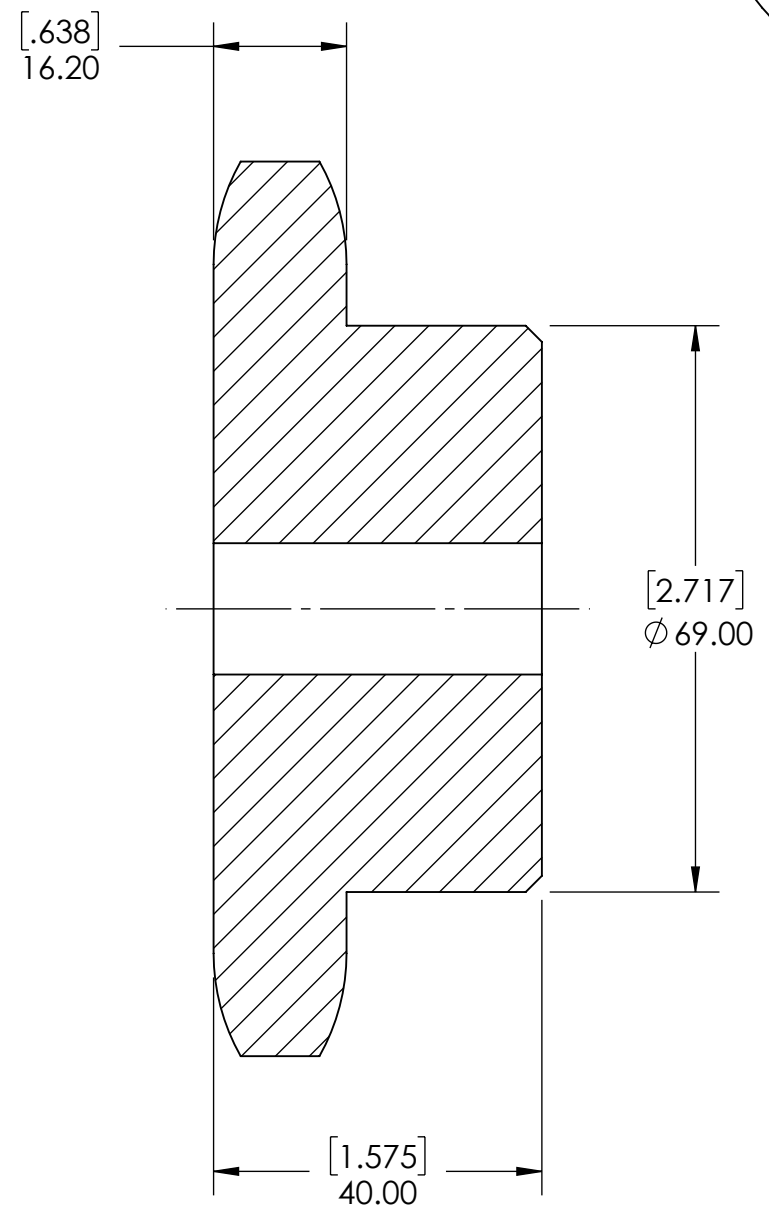
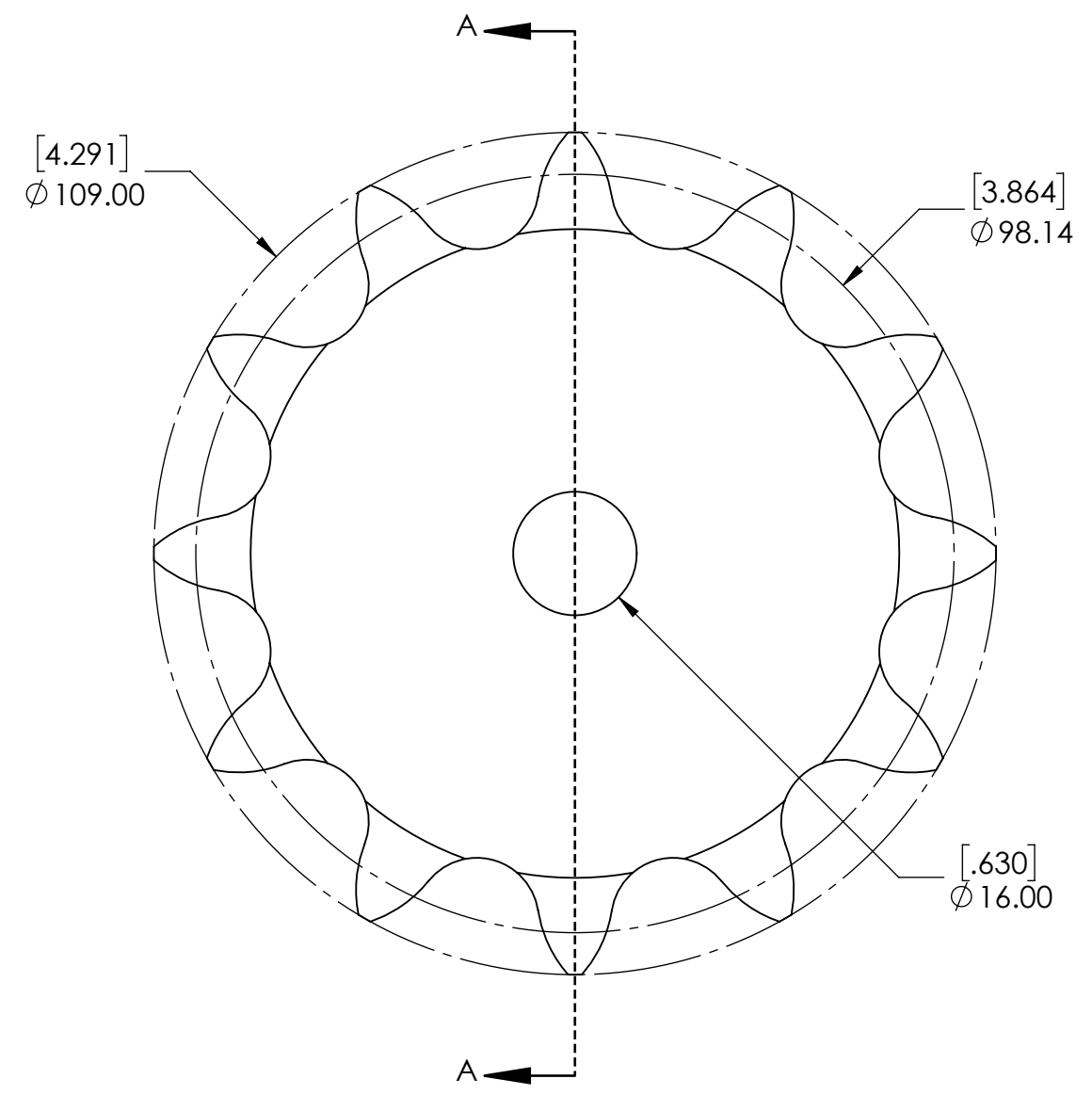


9 8 7 6 5 4 3 2 1

G F E D C B A



SECTION A-A

SPROCKETS SPECIFICATIONS		WEIGHT		DATE		BY		REVISION DESCRIPTION		REV
UNITS	mm (INCH)	MATERIAL	3.31 LBS							
CHAIN SIZE	16B	COATING	N/A							
PITCH	25.40 mm	DRAWN	SEC	07/21/2025						
INNER WIDTH	17.02 mm	CHECKED								
ROLLER DIA.	15.88 mm	APPROVED								
TOOTH WIDTH	16.20 mm									
NUMBER OF TEETH	12									
HUB STYLE	B									
BORE TYPE	PLAIN BORE									
BUSHING NUMBER	N/A									
		DWG. NO.		DATE		BY		REVISION DESCRIPTION		REV
		SIZE B		DATE		BY		ITEM DESCRIPTION:		SCALE
		PTI		DATE		BY		16B-12BSS		1:1
		DWG. NO.		DATE		BY		ITEM DESCRIPTION:		REV
		PTI		DATE		BY		16B-12BSS		-
		DWG. NO.		DATE		BY		ITEM DESCRIPTION:		
		PTI		DATE		BY		16B-12BSS		

A

9 8 7 6 5 4 3 2 1