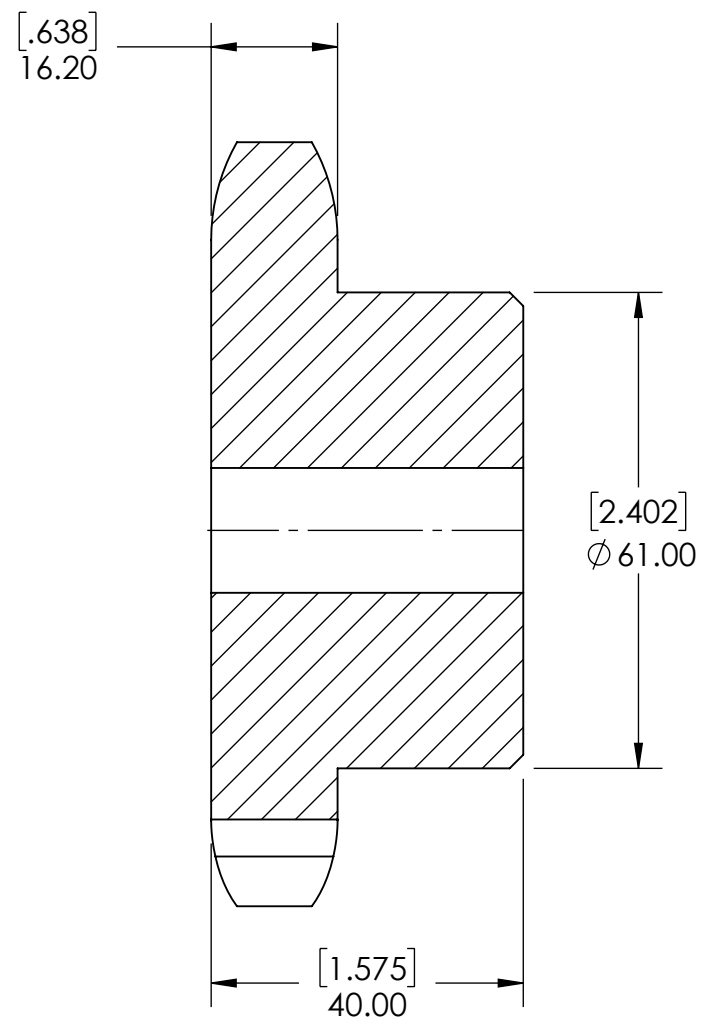
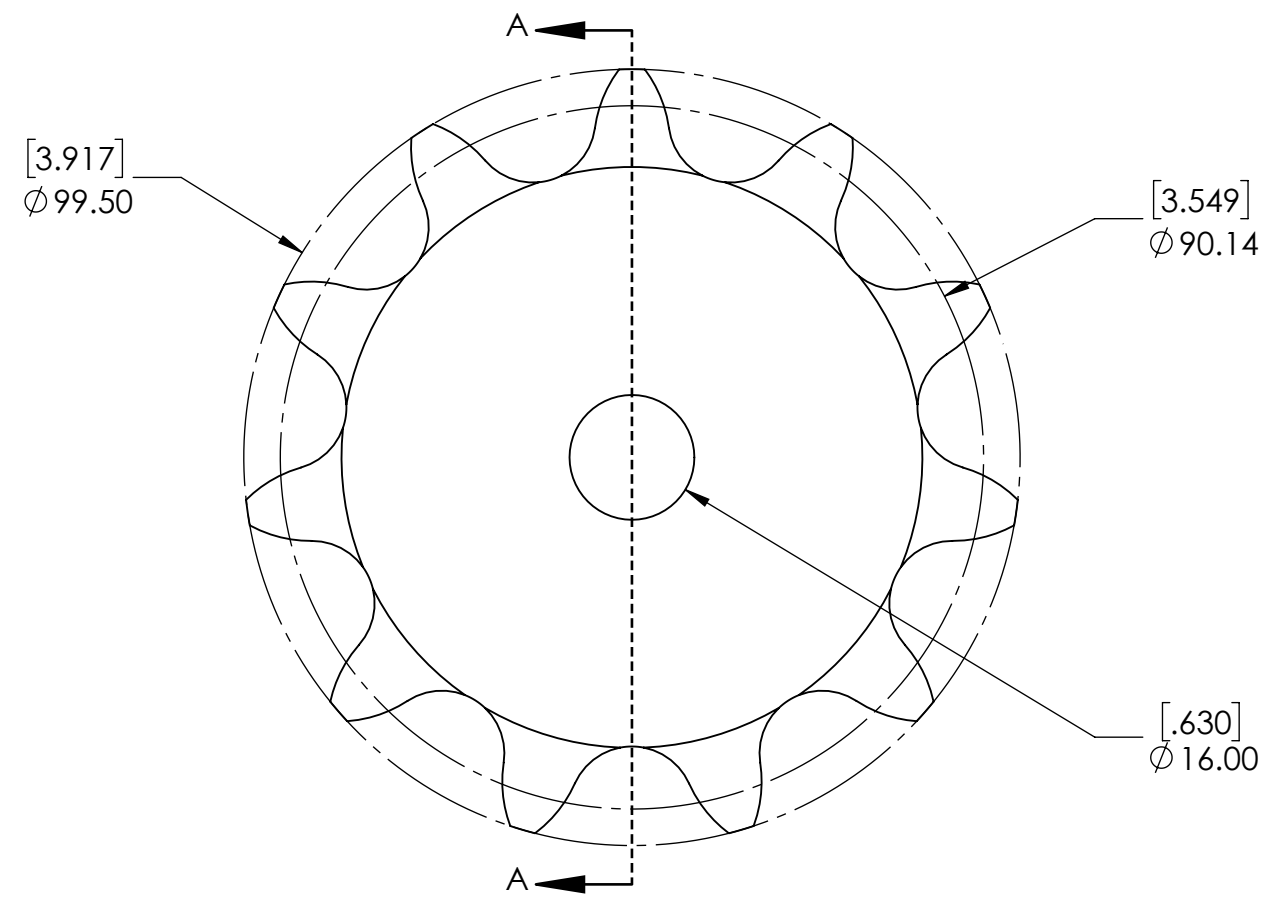


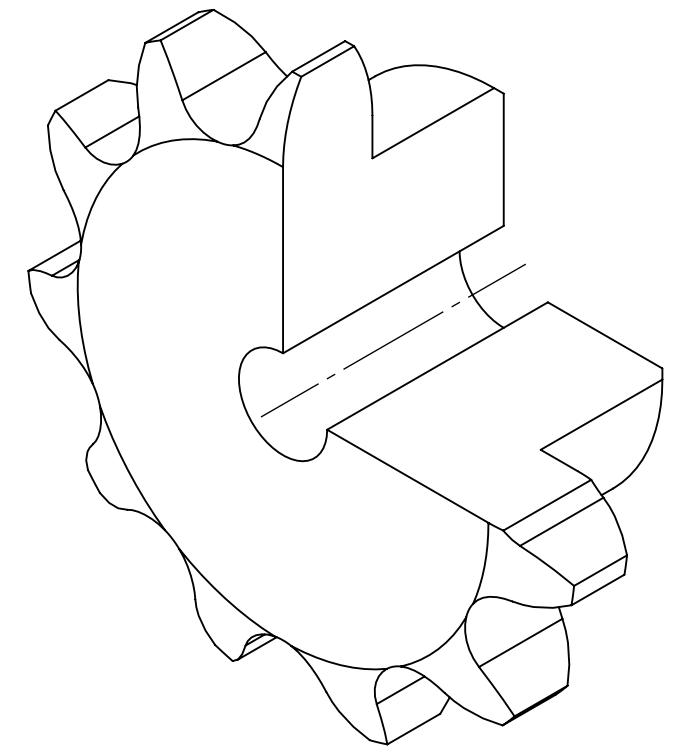
9 8 7 6 5 4 3 2 1

G
F
E
D
C
B
A

G
F
E
D
C
B
A



SECTION A-A



SPROCKETS SPECIFICATIONS		WEIGHT		DATE		BY		REVISION DESCRIPTION		REV
UNITS	mm (INCH)	2.60 LBS								
CHAIN SIZE	16B	MATERIAL	STEEL							
PITCH	25.40 mm	COATING	BLACK OXIDE							
INNER WIDTH	17.02 mm	DRAWN	SEC	07/21/2025						
ROLLER DIA.	15.88 mm	CHECKED								
TOOTH WIDTH	16.20 mm	APPROVED								
NUMBER OF TEETH	11									
HUB STYLE	B									
BORE TYPE	PLAIN BORE	DWG. NO.								
BUSHING NUMBER	N/A	PTI								
		PROPRIETARY AND CONFIDENTIAL								
		THE INFORMATION CONTAINED IN THIS DRAWING IS THE SOLE PROPERTY OF SOLVE IMG. ANY REPRODUCTION IN PART OR AS A WHOLE WITHOUT THE WRITTEN PERMISSION OF SOLVE IMG IS PROHIBITED.						ITEM DESCRIPTION:		SCALE
								16B-11B		1:1
										REV
										-

9 8 7 6 5 4 3 2 1