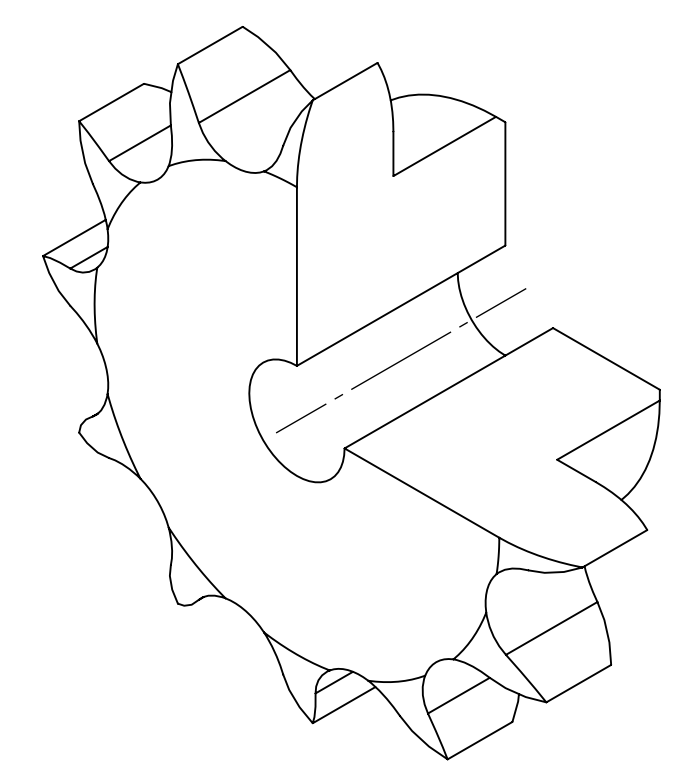
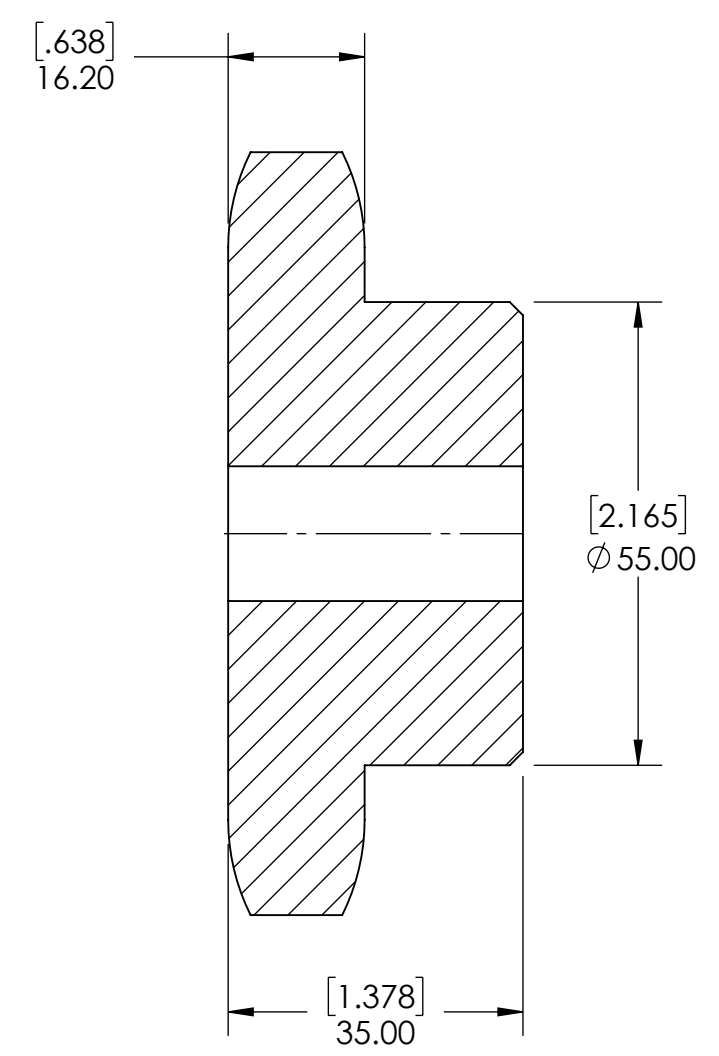
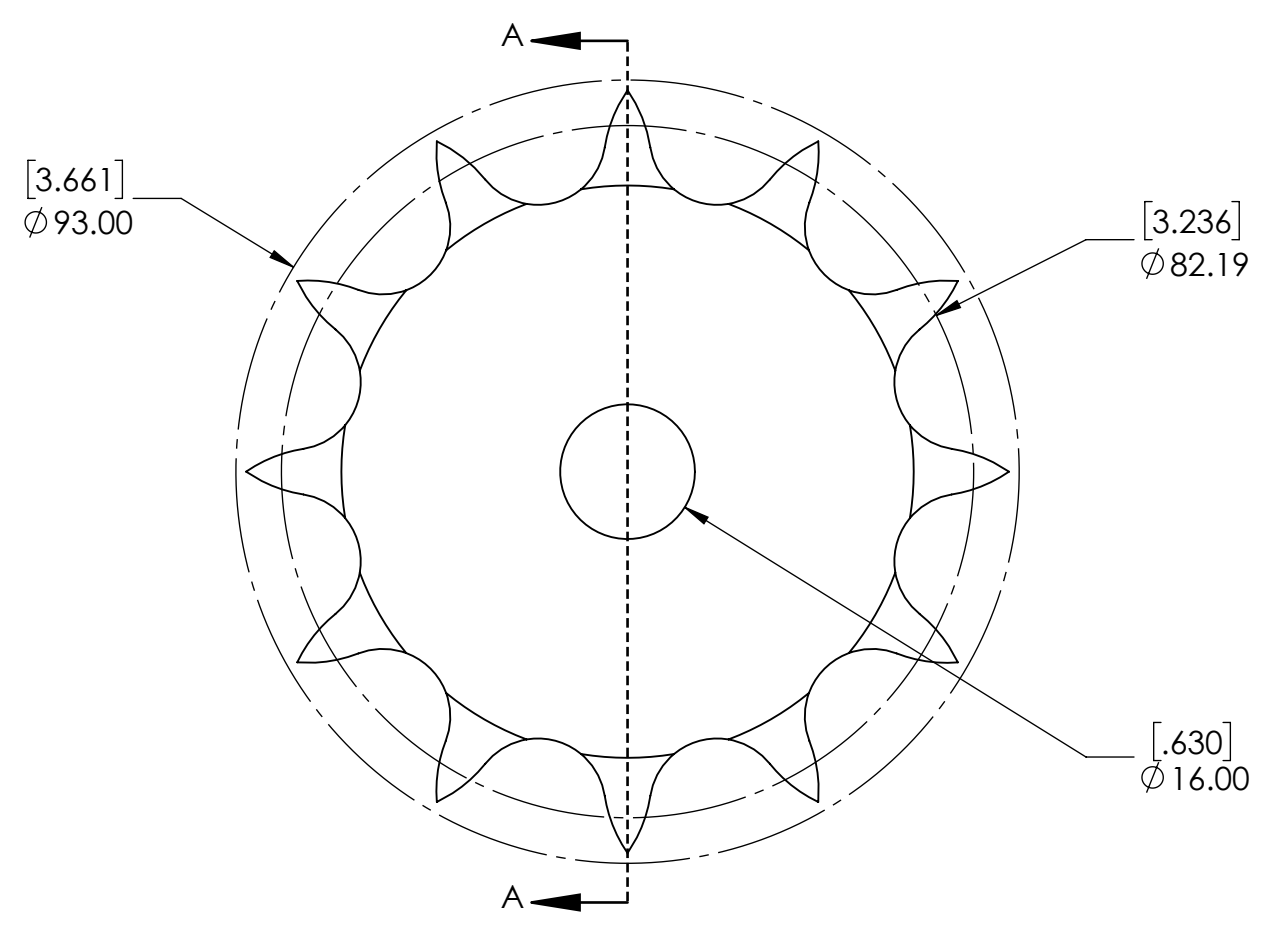


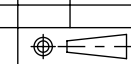
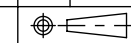
9 8 7 6 5 4 3 2 1

G
F
E
D
C
B
A

G
F
E
D
C
B
A



SECTION A-A

SPROCKETS SPECIFICATIONS		WEIGHT		1.83 LBS	
UNITS	mm (INCH)	MATERIAL	STEEL		
CHAIN SIZE	16B	COATING	BLACK OXIDE		
PITCH	25.40 mm	DRAWN	SEC	07/21/2025	
INNER WIDTH	17.02 mm	CHECKED	PT	07/29/2025	
ROLLER DIA.	15.88 mm	APPROVED			
TOOTH WIDTH	16.20 mm	DATE	BY	REVISION DESCRIPTION	
NUMBER OF TEETH	12	ITEM DESCRIPTION:		16B-10B	
HUB STYLE	B	DWG. NO.		SCALE	
BORE TYPE	PLAIN BORE			1:1	
BUSHING NUMBER	N/A	PROPRIETARY AND CONFIDENTIAL <small>THE INFORMATION CONTAINED IN THIS DRAWING IS THE SOLE PROPERTY OF SOLVE IMG. ANY REPRODUCTION IN PART OR AS A WHOLE WITHOUT THE WRITTEN PERMISSION OF SOLVE IMG IS PROHIBITED.</small>		REV	
				-	

9 8 7 6 5 4 3 2 1