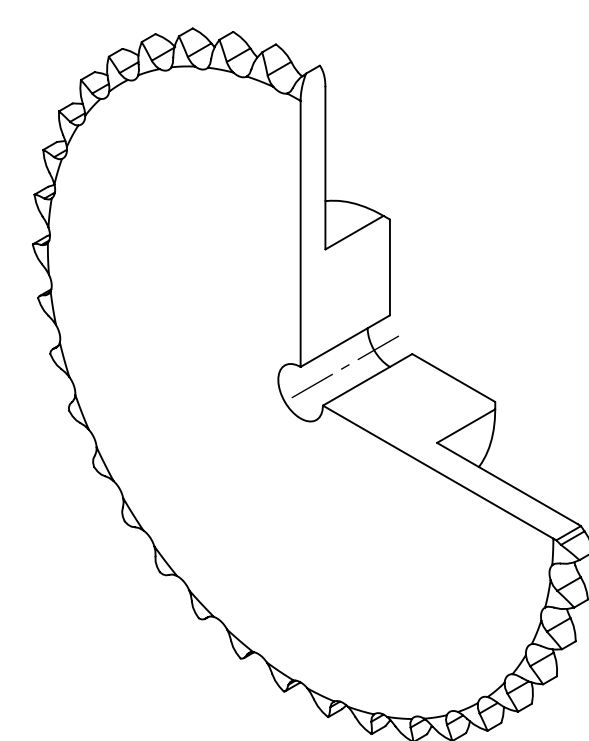
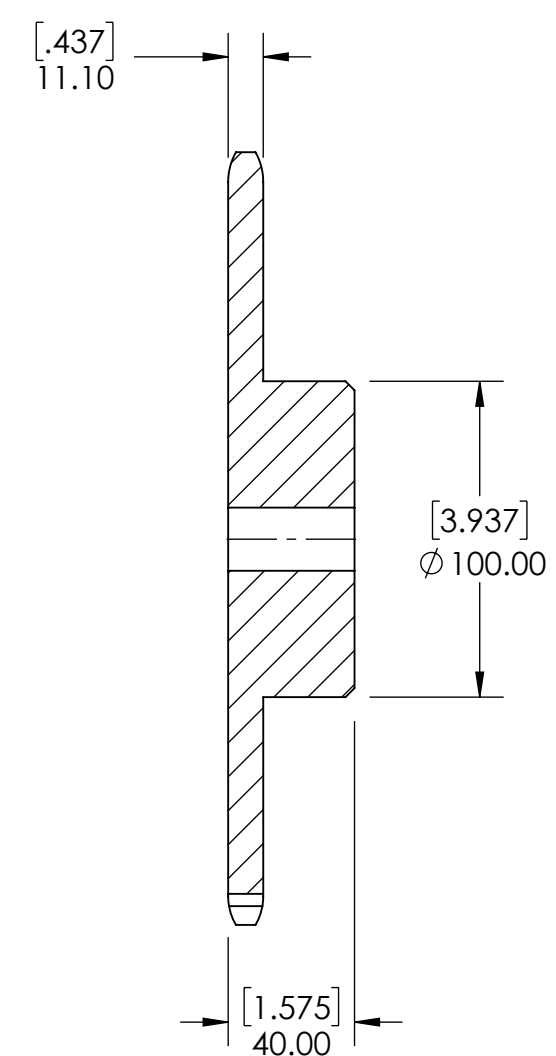
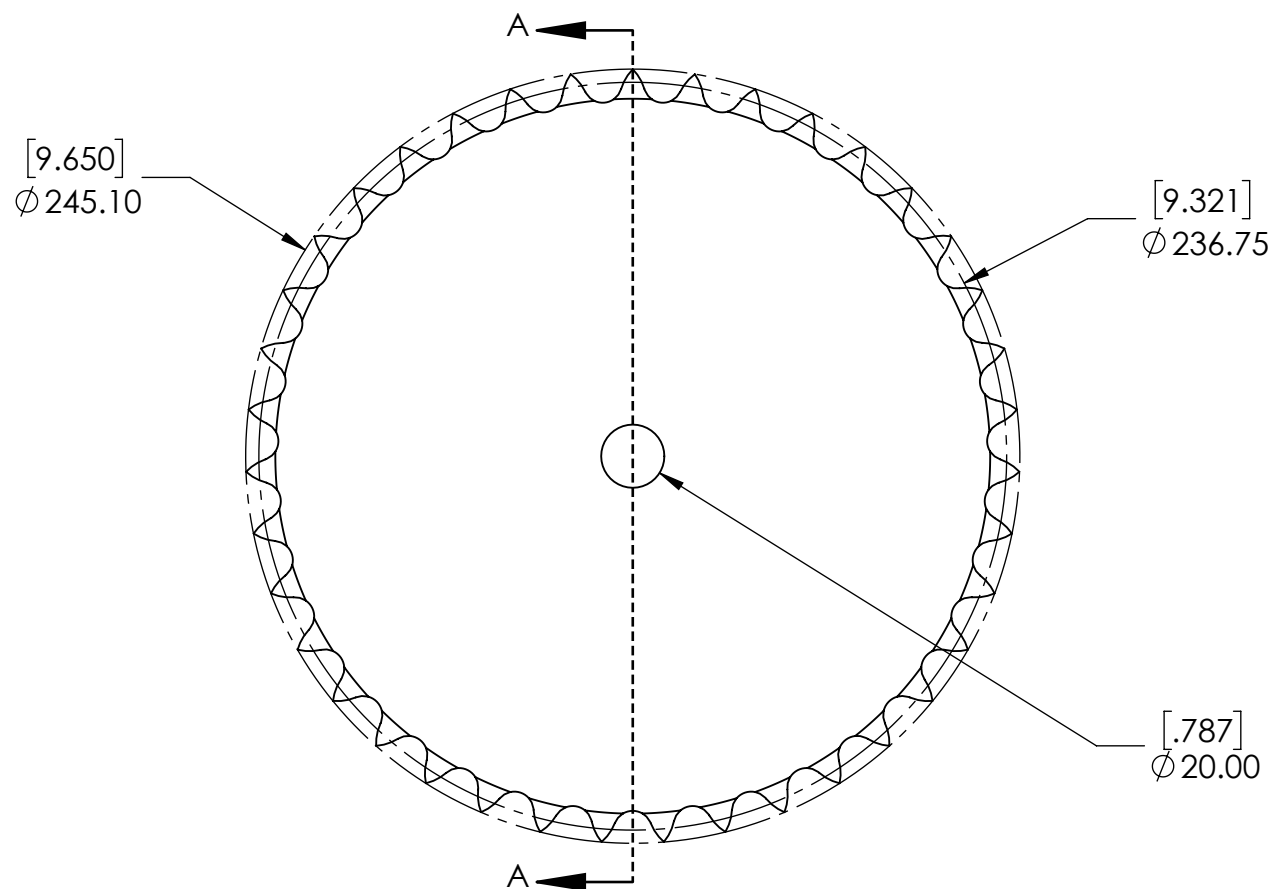


9 8 7 6 5 4 3 2 1

G
F
E
D
C
B
A

G
F
E
D
C
B
A



SECTION A-A

| SPROCKETS SPECIFICATIONS | | WEIGHT | | DATE | | BY | | REVISION DESCRIPTION | | REV |
|--------------------------|------------|-----------|-------------|--|--|-------------------|--|----------------------|--|-------|
| UNITS | mm (INCH) | 11.77 LBS | | | | | | | | |
| CHAIN SIZE | 12B | MATERIAL | STEEL | | | | | | | |
| PITCH | 19.05 mm | COATING | BLACK OXIDE | | | | | | | |
| INNER WIDTH | 11.68 mm | DRAWN | SEC | 08/18/2025 | | | | | | |
| ROLLER DIA. | 12.07 mm | CHECKED | DH | 08/18/2025 | | | | | | |
| TOOTH WIDTH | 11.10 mm | APPROVED | | | | | | | | |
| NUMBER OF TEETH | 39 | | | | | | | | | |
| HUB STYLE | B | | | | | | | | | |
| BORE TYPE | PLAIN BORE | DWG. NO. | | | | | | | | |
| BUSHING NUMBER | N/A | | | PROPRIETARY AND CONFIDENTIAL <small>THE INFORMATION CONTAINED IN THIS DRAWING IS THE SOLE PROPERTY OF SOLVE IMG. ANY REPRODUCTION IN PART OR AS A WHOLE WITHOUT THE WRITTEN PERMISSION OF SOLVE IMG IS PROHIBITED.</small> | | ITEM DESCRIPTION: | | 12B-39B | | SCALE |
| | | | | | | | | | | 1:1 |
| | | | | | | | | | | - |

9 8 7 6 5 4 3 2 1