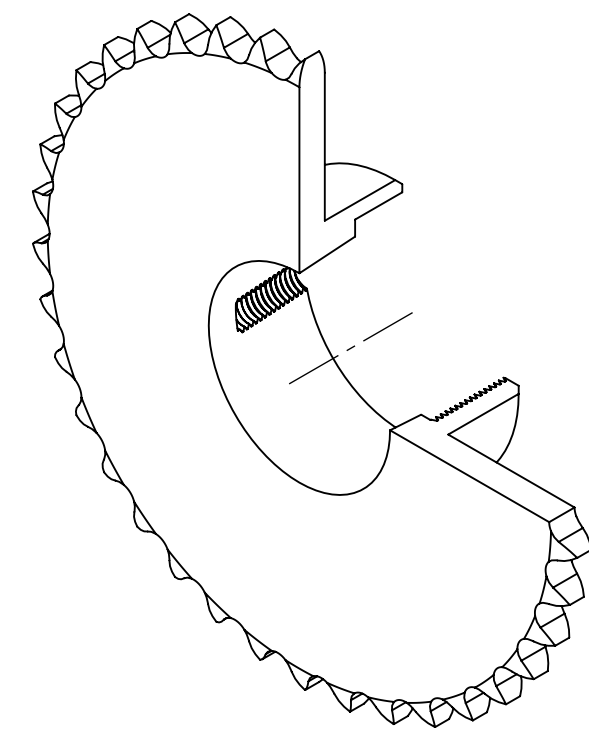
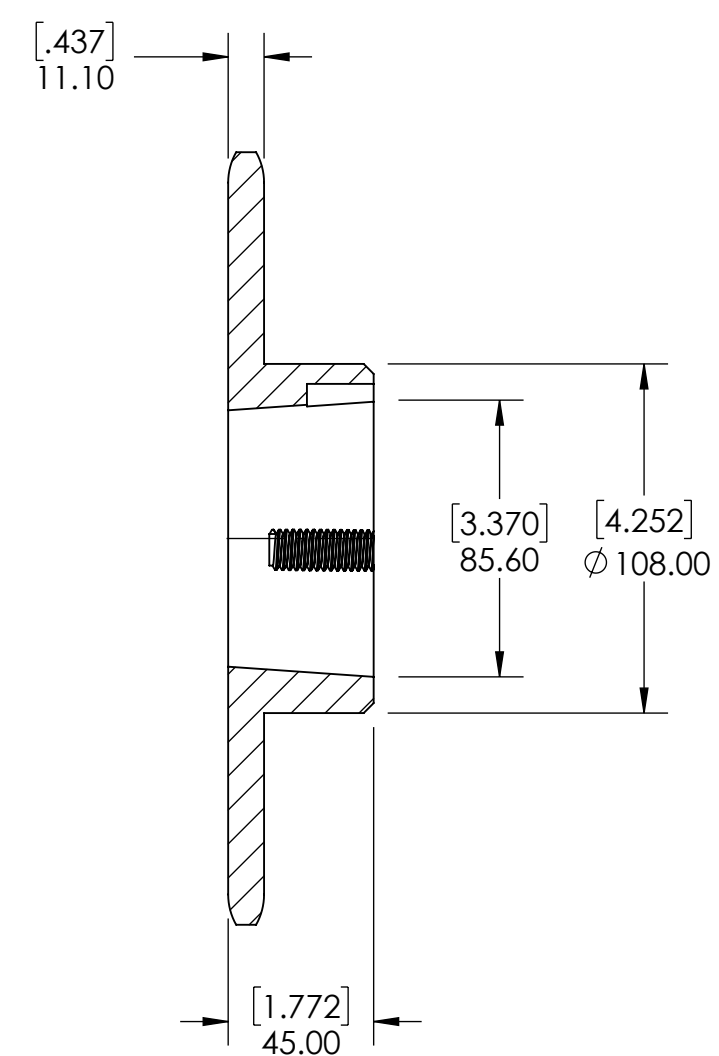
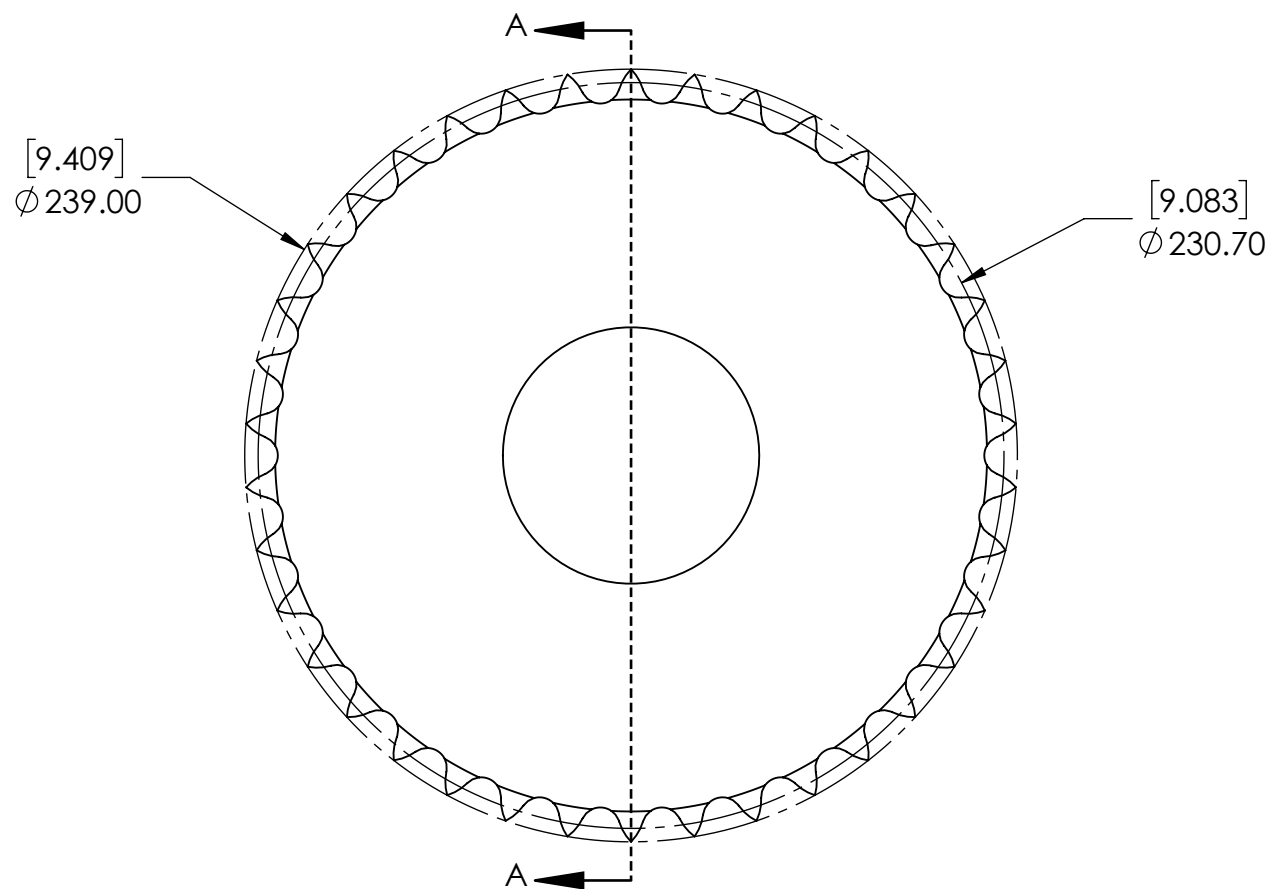


9 8 7 6 5 4 3 2 1

G
F
E
D
C
B
A

G
F
E
D
C
B
A



SECTION A-A

SPROCKETS SPECIFICATIONS		WEIGHT		DATE		BY		REVISION DESCRIPTION		REV
UNITS	mm (INCH)	8.78 LBS								
CHAIN SIZE	12B	STEEL								
PITCH	19.05 mm	BLACK OXIDE		DRAWN SEC 07/21/2025						
INNER WIDTH	11.68 mm			CHECKED SEC 07/28/2025						
ROLLER DIA.	12.07 mm			APPROVED						
TOOTH WIDTH	11.10 mm									SCALE
NUMBER OF TEETH	38					ITEM DESCRIPTION:				
HUB STYLE	B			DWG. NO.						1:1
BORE TYPE	FOR TAPER BUSHING									REV
BUSHING NUMBER	2517					12B-38TL-2517				
				<small>PROPRIETARY AND CONFIDENTIAL THE INFORMATION CONTAINED IN THIS DRAWING IS THE SOLE PROPERTY OF SOLVE IMG. ANY REPRODUCTION IN PART OR AS A WHOLE WITHOUT THE WRITTEN PERMISSION OF SOLVE IMG IS PROHIBITED.</small>						-

9 8 7 6 5 4 3 2 1