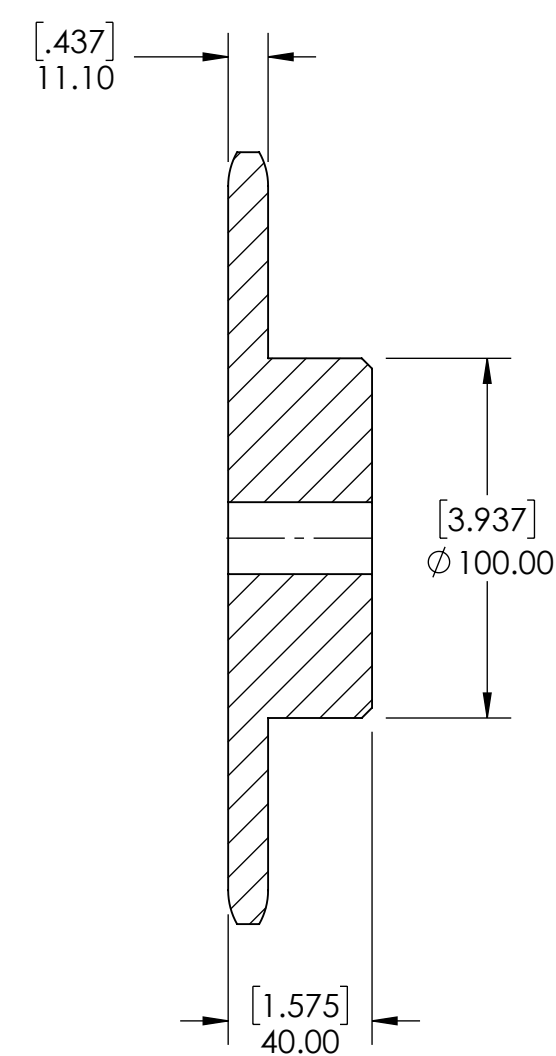
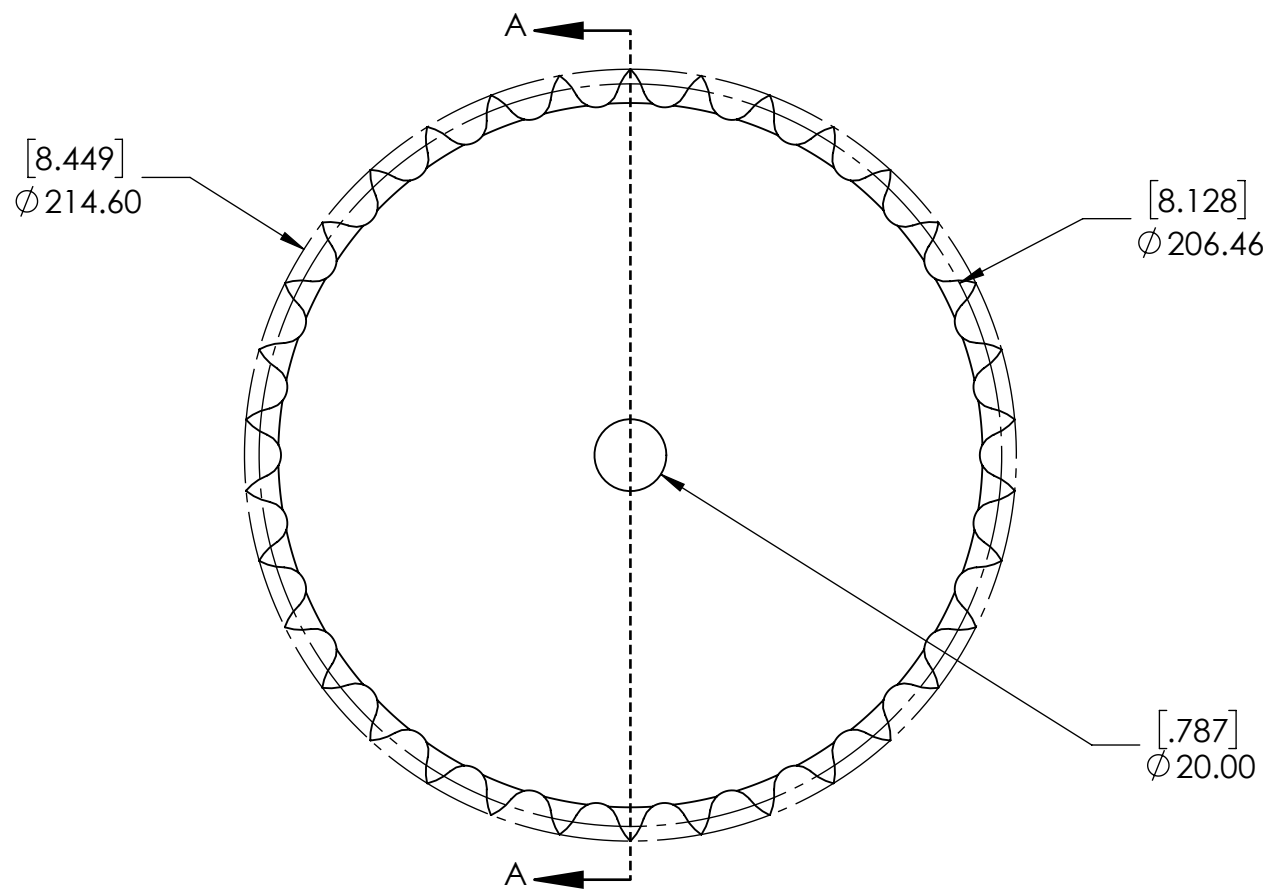


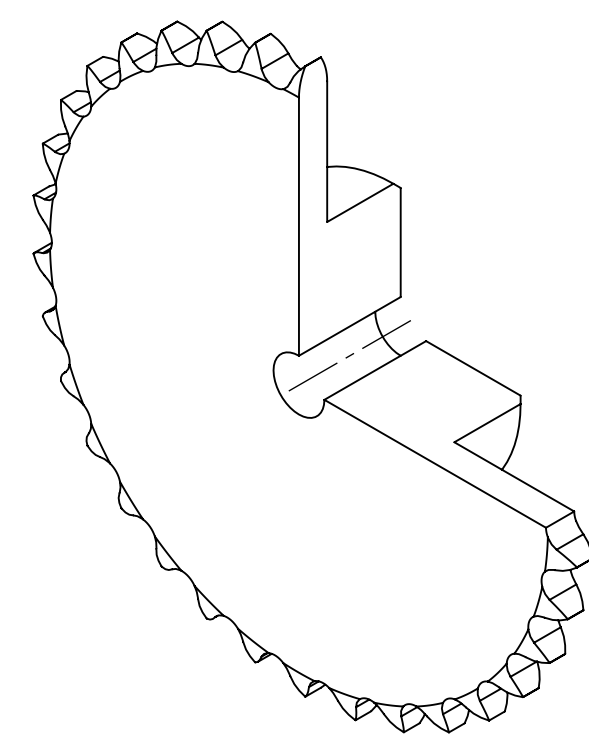
9 8 7 6 5 4 3 2 1

G  
F  
E  
D  
C  
B  
A

G  
F  
E  
D  
C  
B  
A



SECTION A-A



SPROCKETS SPECIFICATIONS		WEIGHT		DATE		BY		REVISION DESCRIPTION		REV
UNITS	mm (INCH)	9.80 LBS								
CHAIN SIZE	12B	STEEL								
PITCH	19.05 mm	BLACK OXIDE		SEC 07/21/2025						
INNER WIDTH	11.68 mm	DRAWN		DH 08/14/2025						
ROLLER DIA.	12.07 mm	CHECKED								
TOOTH WIDTH	11.10 mm	APPROVED								
NUMBER OF TEETH	34	THIRD ANGLE PROJECTION								
HUB STYLE	B	DATE								
BORE TYPE	PLAIN BORE	BY								
BUSHING NUMBER	N/A	REVISION DESCRIPTION								
		ITEM DESCRIPTION:								
		12B-34B								
		SCALE								
		1:1								
		REV								
		-								

9 8 7 6 5 4 3 2 1

A



PROPRIETARY AND CONFIDENTIAL