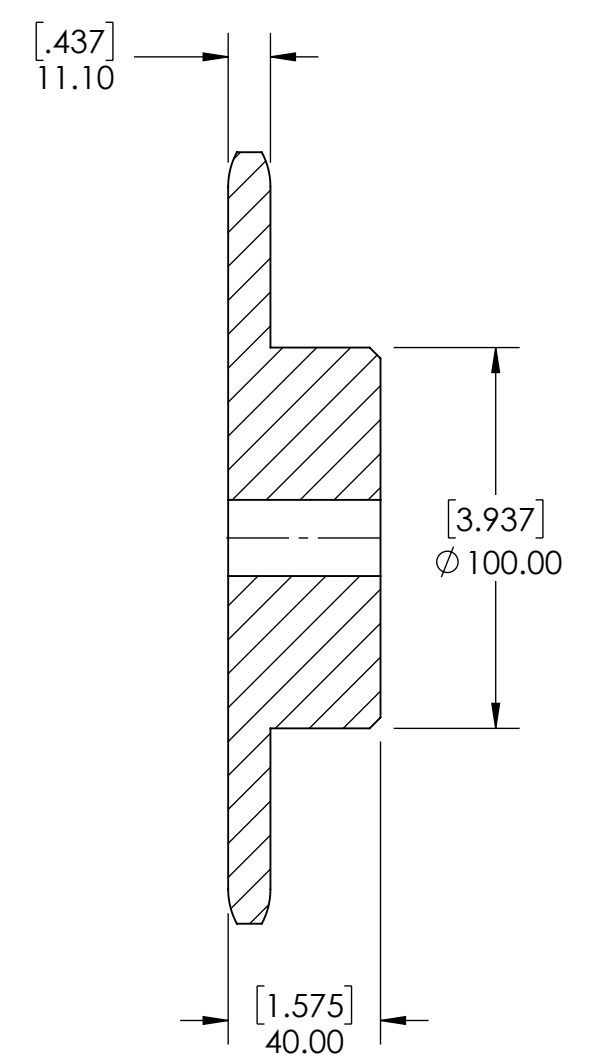
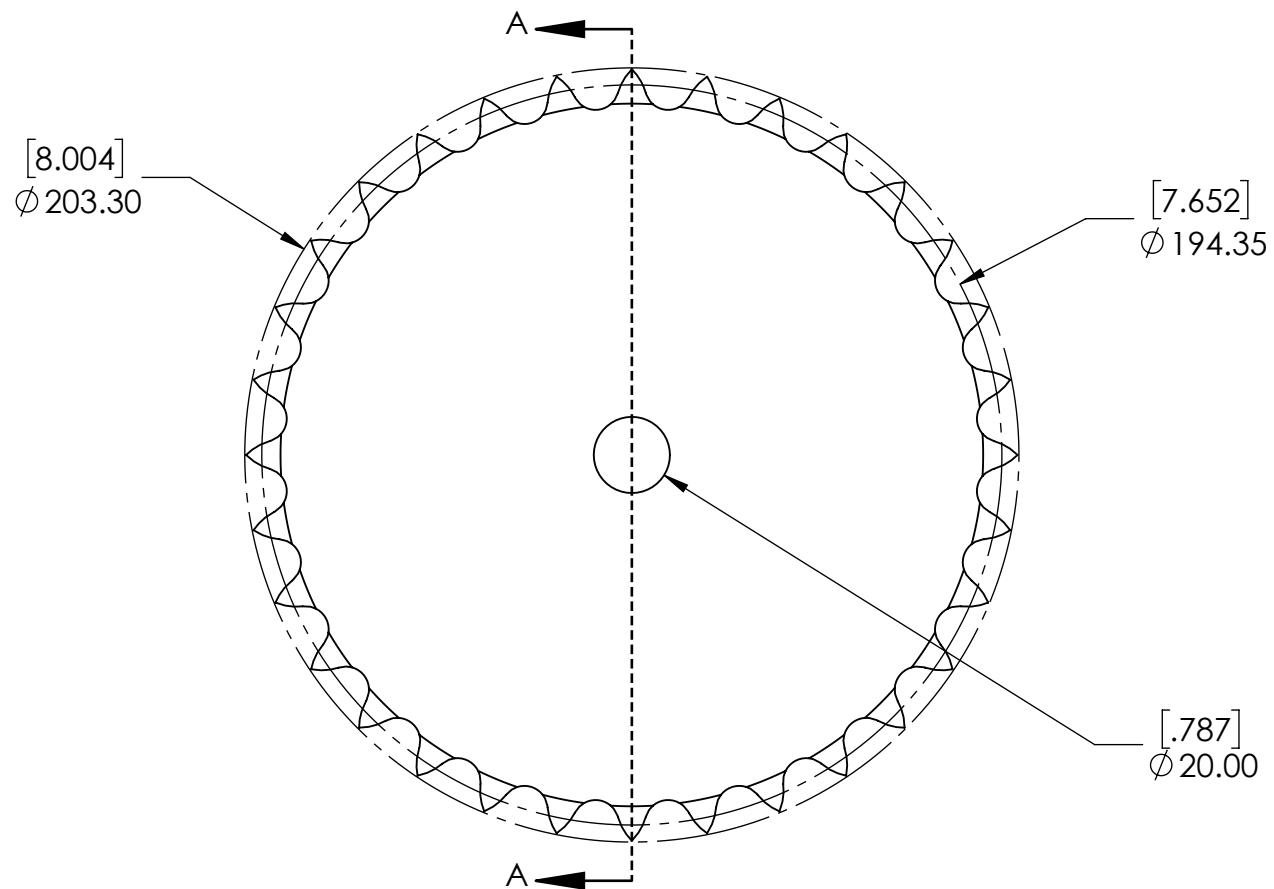


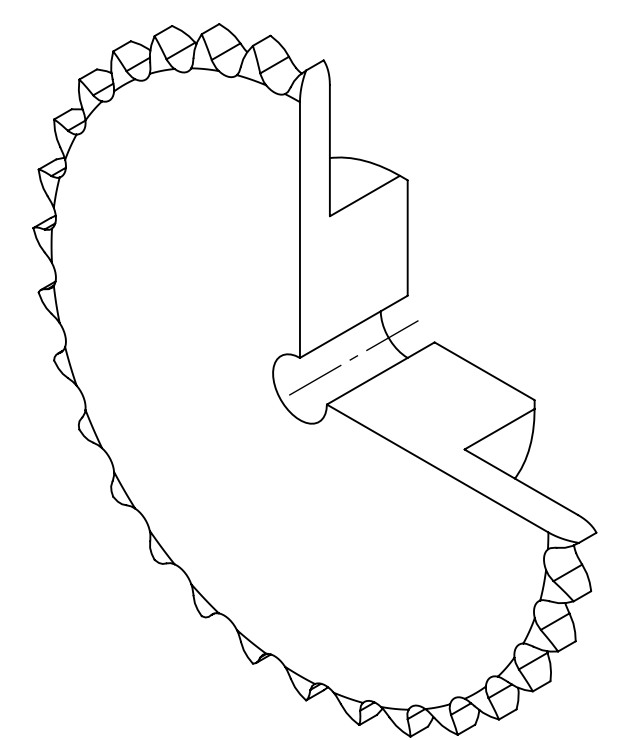
9 8 7 6 5 4 3 2 1

G  
F  
E  
D  
C  
B  
A

G  
F  
E  
D  
C  
B  
A



SECTION A-A



SPROCKETS SPECIFICATIONS		WEIGHT		DATE		BY		REVISION DESCRIPTION		REV
UNITS	mm (INCH)	9.09 LBS								
CHAIN SIZE	12B	MATERIAL	STEEL							
PITCH	19.05 mm	COATING	BLACK OXIDE							
INNER WIDTH	11.68 mm	DRAWN	SEC	07/21/2025						
ROLLER DIA.	12.07 mm	CHECKED	DH	08/14/2025						
TOOTH WIDTH	11.10 mm	APPROVED								
NUMBER OF TEETH	32					ITEM DESCRIPTION:		12B-32B		SCALE
HUB STYLE	B									DWG. NO.
BORE TYPE	PLAIN BORE	PROPRIETARY AND CONFIDENTIAL								REV
BUSHING NUMBER	N/A	<small>THE INFORMATION CONTAINED IN THIS DRAWING IS THE SOLE PROPERTY OF SOLVE IMG. ANY REPRODUCTION IN PART OR AS A WHOLE WITHOUT THE WRITTEN PERMISSION OF SOLVE IMG IS PROHIBITED.</small>								-

9 8 7 6 5 4 3 2 1