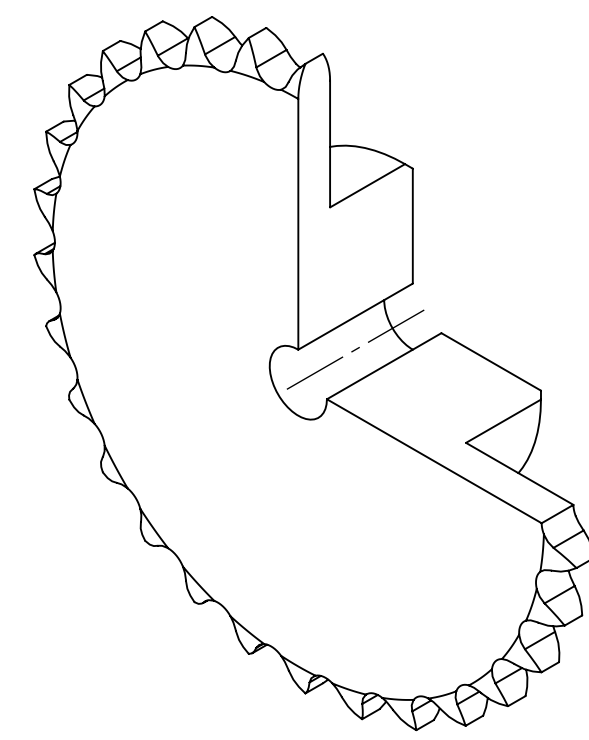
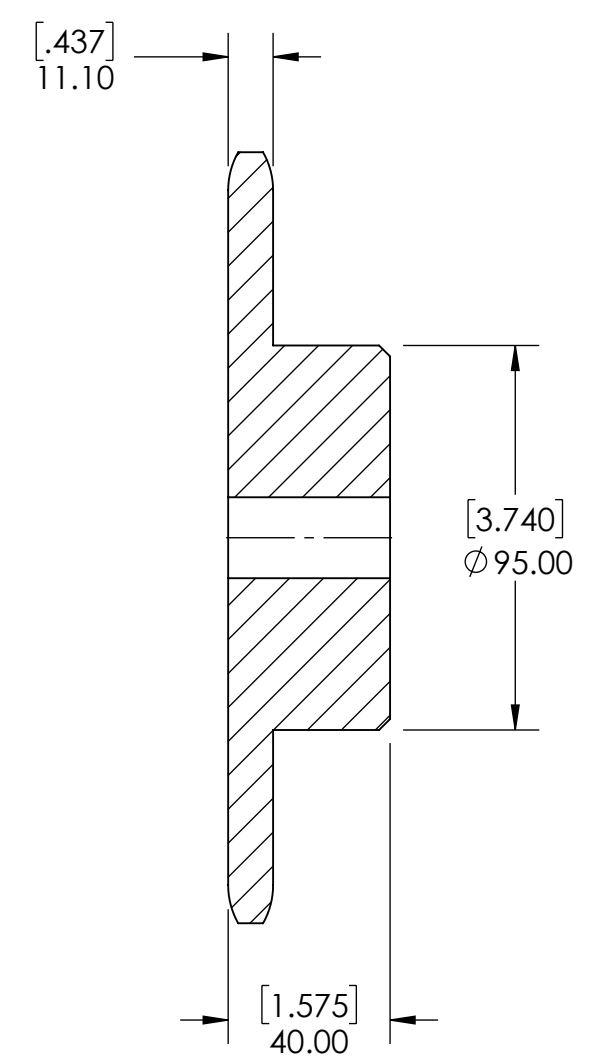
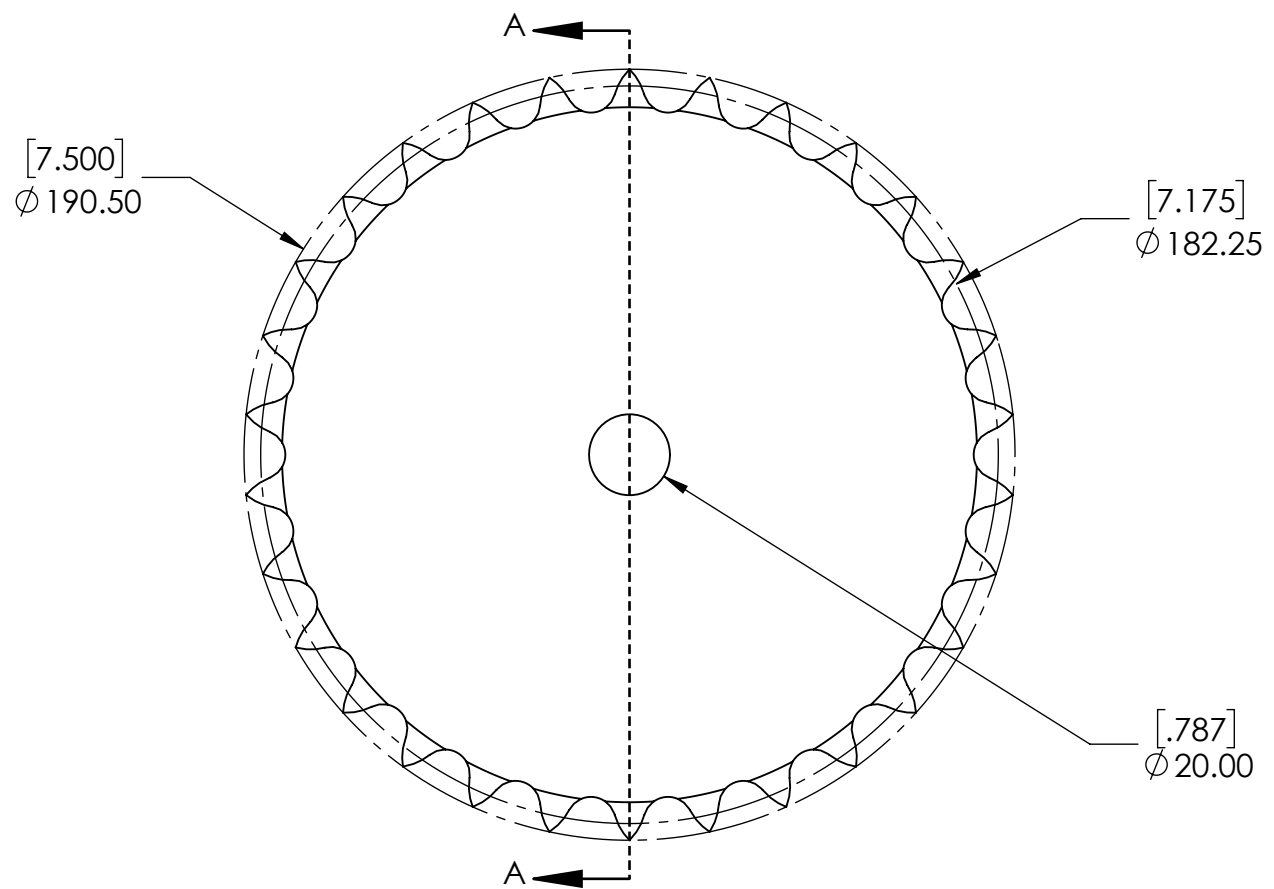


9 8 7 6 5 4 3 2 1

G F E D C B A



SECTION A-A

SPROCKETS SPECIFICATIONS		WEIGHT		8.19 LBS	
UNITS	mm (INCH)	MATERIAL	STAINLESS STEEL		
CHAIN SIZE	12B	COATING	N/A		
PITCH	19.05 mm	DRAWN	SEC	07/21/2025	
INNER WIDTH	11.68 mm	CHECKED	DH	08/14/2025	
ROLLER DIA.	12.07 mm	APPROVED			
TOOTH WIDTH	11.10 mm	THIRD ANGLE PROJECTION		DATE	BY
NUMBER OF TEETH	30	REVISION DESCRIPTION		DATE	BY
HUB STYLE	B	ITEM DESCRIPTION:		DATE	BY
BORE TYPE	PLAIN BORE	12B-30BSS		DATE	BY
BUSHING NUMBER	N/A	SCALE		DATE	BY
		1:1		DATE	BY
		REV		DATE	BY
		-		DATE	BY

9 8 7 6 5 4 3 2 1

A B C D E F G