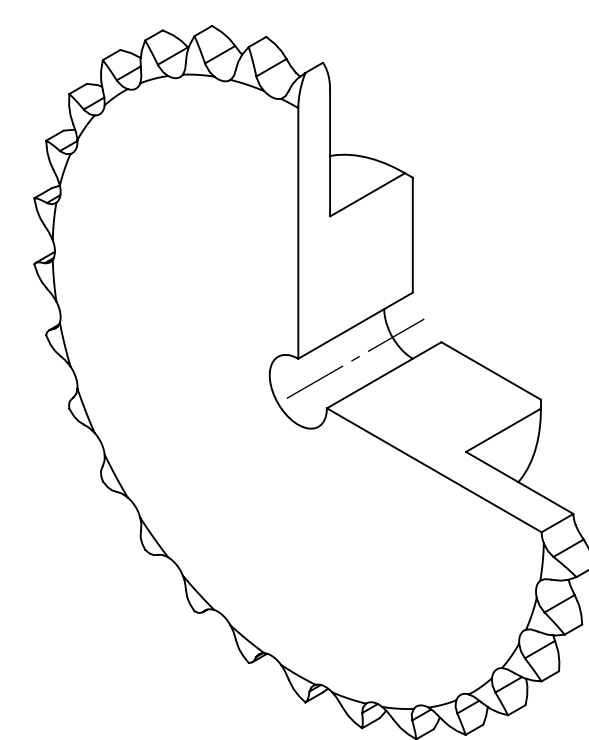
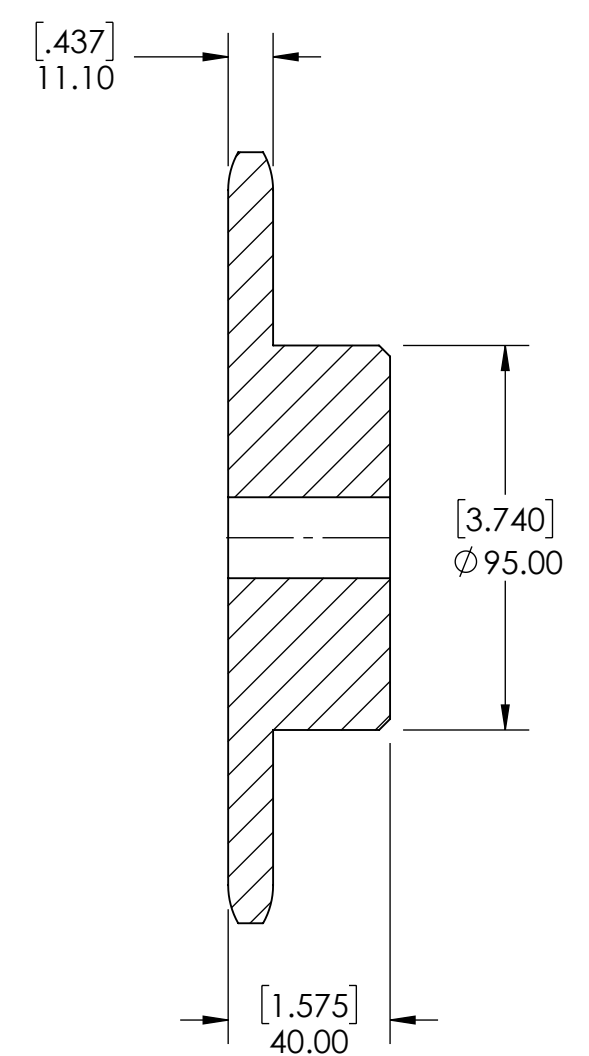
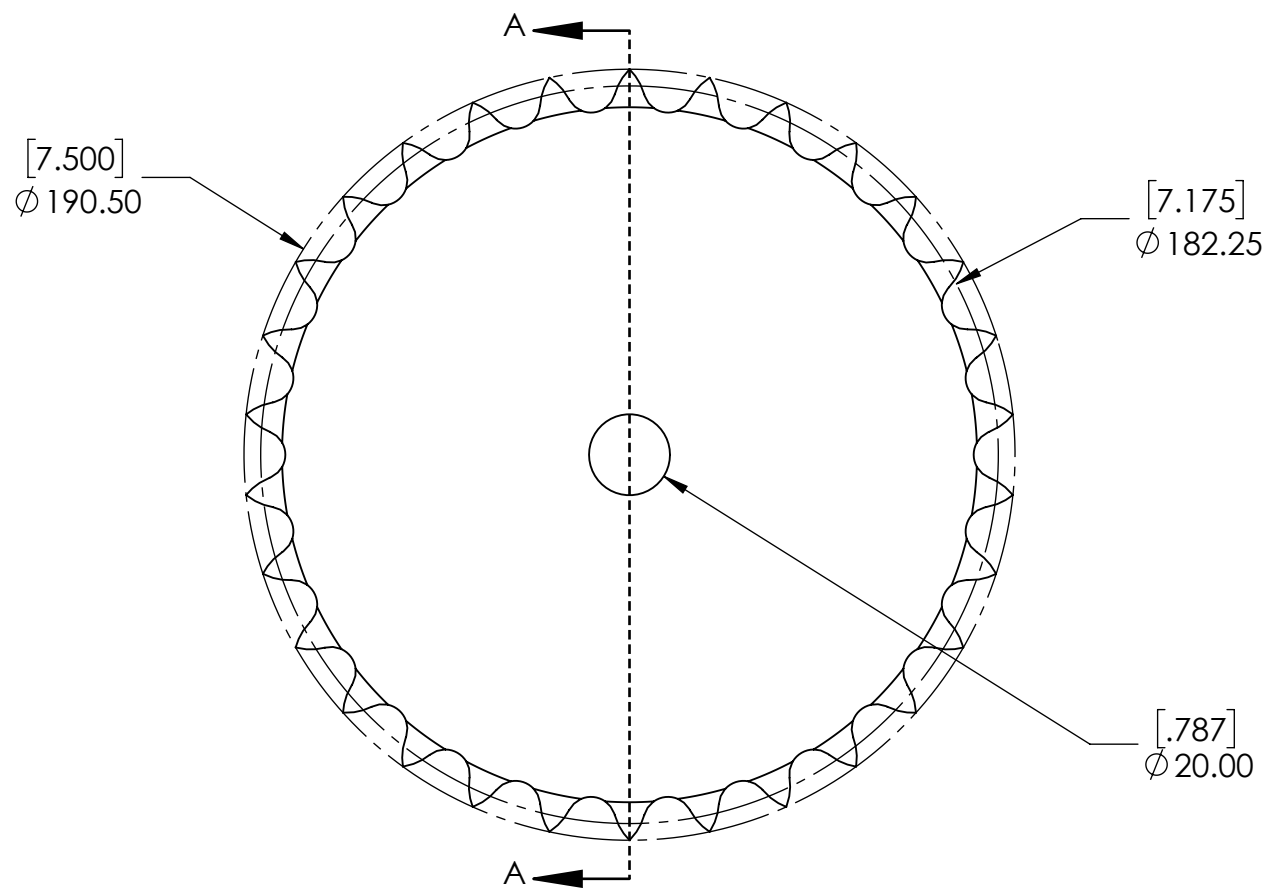


9 8 7 6 5 4 3 2 1

G
F
E
D
C
B
A

G
F
E
D
C
B
A



SECTION A-A

SPROCKETS SPECIFICATIONS		WEIGHT		8.04 LBS		
UNITS	mm (INCH)	MATERIAL	STEEL			
CHAIN SIZE	12B	COATING	BLACK OXIDE			
PITCH	19.05 mm	DRAWN	SEC	07/21/2025		
INNER WIDTH	11.68 mm	CHECKED	DH	08/14/2025		
ROLLER DIA.	12.07 mm	APPROVED				
TOOTH WIDTH	11.10 mm	DATE				BY
NUMBER OF TEETH	30	DATE		BY	REVISION DESCRIPTION	
HUB STYLE	B	DATE		BY	REVISION DESCRIPTION	
BORE TYPE	PLAIN BORE	DATE		BY	REVISION DESCRIPTION	
BUSHING NUMBER	N/A	DATE		BY	REVISION DESCRIPTION	
				ITEM DESCRIPTION:		
DWG. NO.		PROPRIETARY AND CONFIDENTIAL <small>THE INFORMATION CONTAINED IN THIS DRAWING IS THE SOLE PROPERTY OF SOLVE IMG. ANY REPRODUCTION IN PART OR AS A WHOLE WITHOUT THE WRITTEN PERMISSION OF SOLVE IMG IS PROHIBITED.</small>		12B-30B		
				SCALE 1:1		
				REV -		

9 8 7 6 5 4 3 2 1