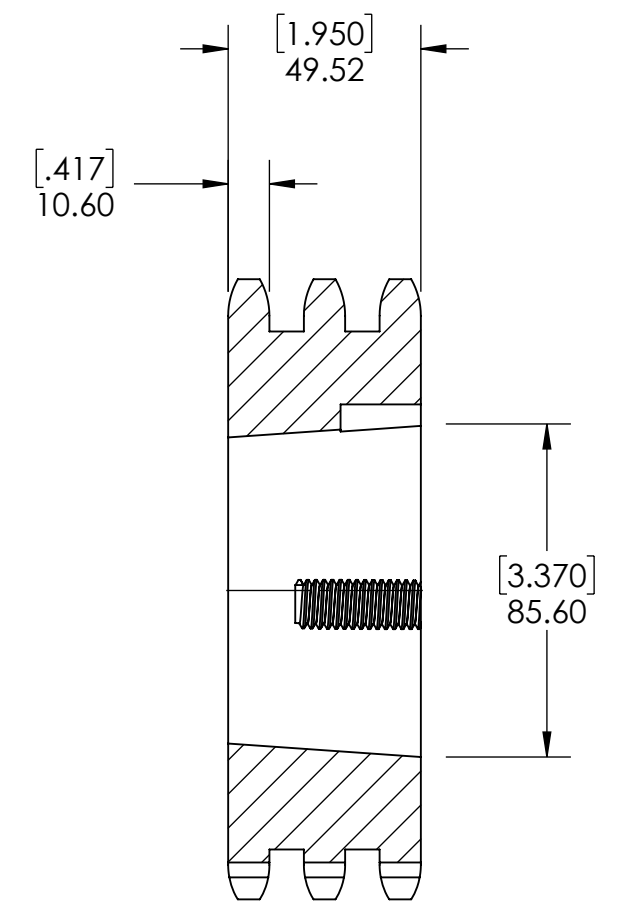
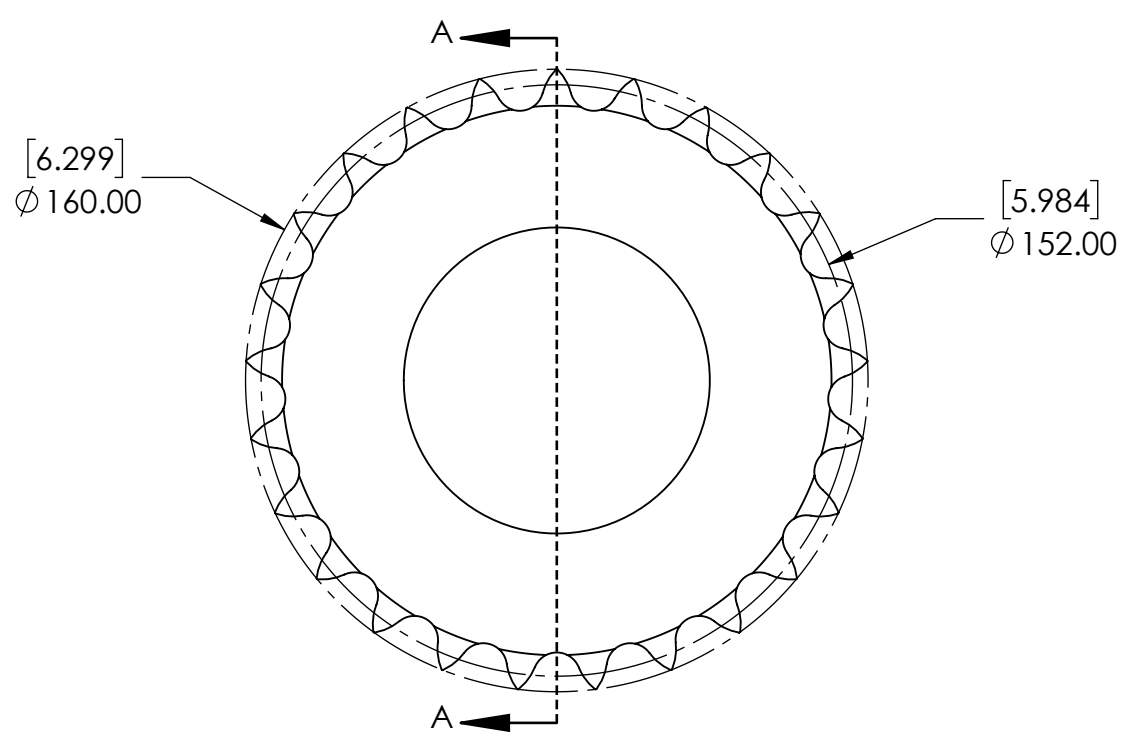


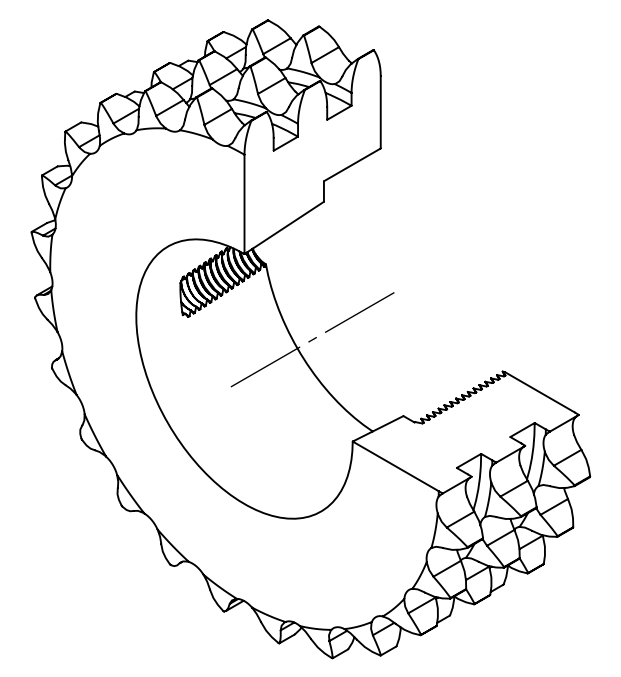
9 8 7 6 5 4 3 2 1

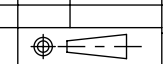
G
F
E
D
C
B
A

G
F
E
D
C
B
A



SECTION A-A



SPROCKETS SPECIFICATIONS		WEIGHT		8.95 LBS	
UNITS	mm (INCH)	MATERIAL	STEEL		
CHAIN SIZE	12B	COATING	BLACK OXIDE		
PITCH	19.05 mm	DRAWN	SEC	07/31/2025	
INNER WIDTH	11.68 mm	CHECKED	SEC	07/31/2025	
ROLLER DIA.	12.07 mm	APPROVED			
TOOTH WIDTH	10.60 mm	DATE		BY	REVISION DESCRIPTION
NUMBER OF TEETH	25	ITEM DESCRIPTION:			
HUB STYLE	A	DWG. NO.			
BORE TYPE	FOR TAPER BUSHING	PROPRIETARY AND CONFIDENTIAL		12B-3-25TL-2517	
BUSHING NUMBER	2517	<small>THE INFORMATION CONTAINED IN THIS DRAWING IS THE SOLE PROPERTY OF SOLVE IMG. ANY REPRODUCTION IN PART OR AS A WHOLE WITHOUT THE WRITTEN PERMISSION OF SOLVE IMG IS PROHIBITED.</small>		SCALE	1:1
				REV	-

9 8 7 6 5 4 3 2 1