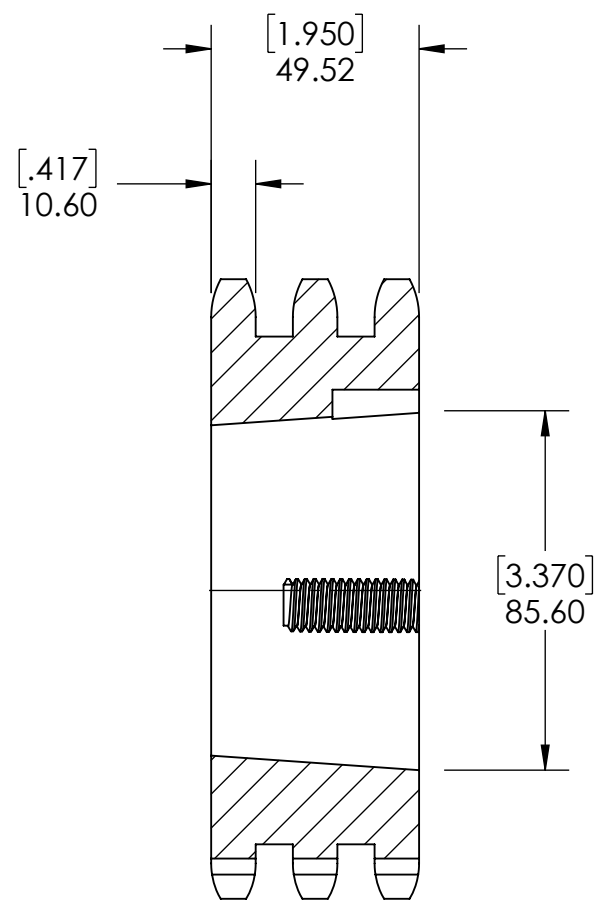
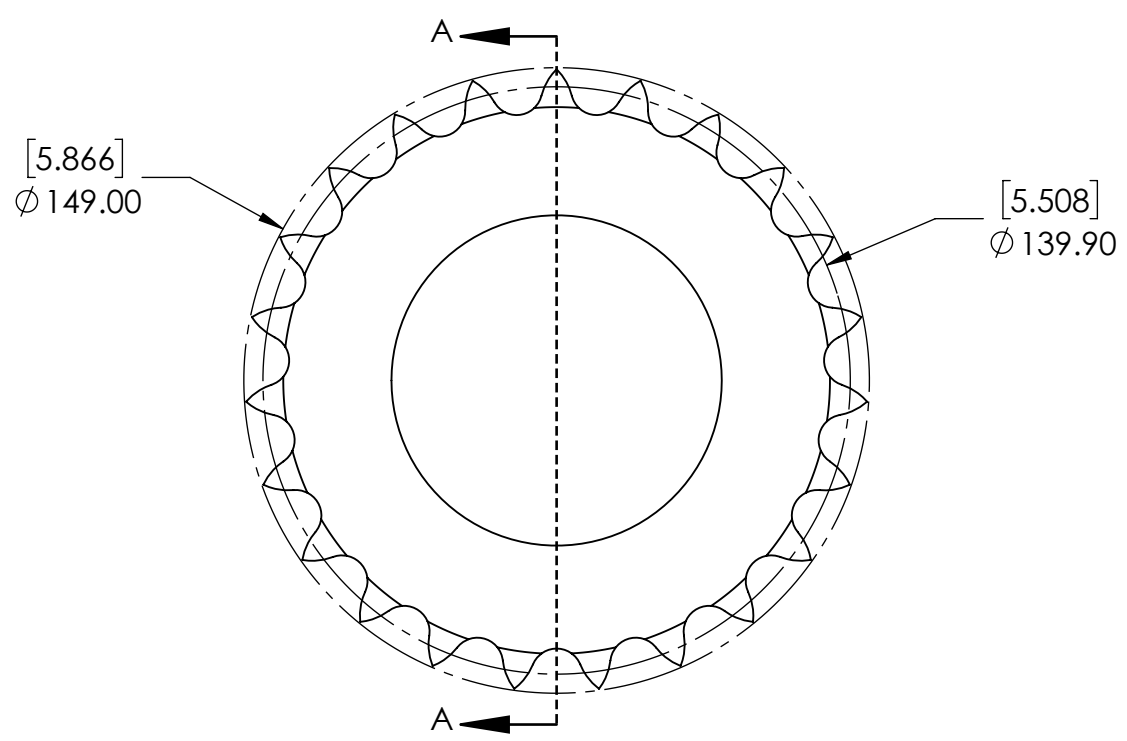


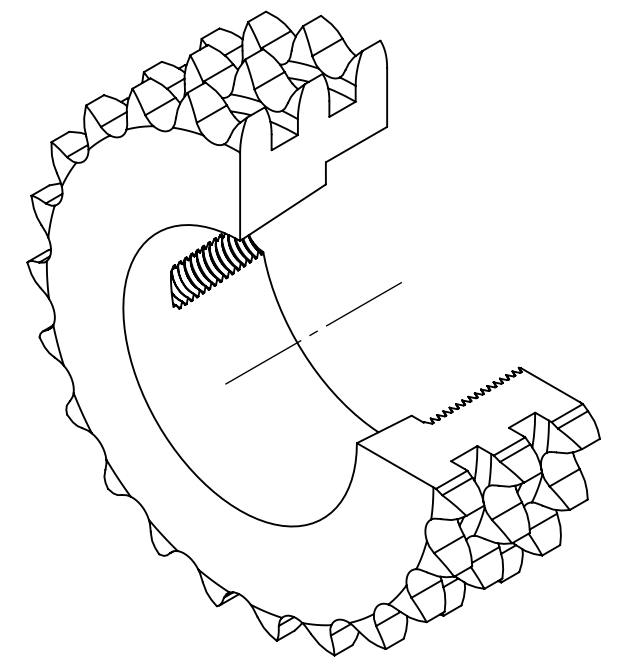
9 8 7 6 5 4 3 2 1

G
F
E
D
C
B
A

G
F
E
D
C
B
A



SECTION A-A



SPROCKETS SPECIFICATIONS		WEIGHT		DATE		BY		REVISION DESCRIPTION		REV
UNITS	mm (INCH)	6.75 LBS								
CHAIN SIZE	12B	MATERIAL	STEEL							
PITCH	19.05 mm	COATING	BLACK OXIDE	DRAWN	SEC	07/31/2025				
INNER WIDTH	11.68 mm	CHECKED	SEC	07/31/2025						
ROLLER DIA.	12.07 mm	APPROVED								
TOOTH WIDTH	10.60 mm	THIRD ANGLE PROJECTION								
NUMBER OF TEETH	23	PTI								
HUB STYLE	A	DWG. NO.								
BORE TYPE	FOR TAPER BUSHING	PROPRIETARY AND CONFIDENTIAL								
BUSHING NUMBER	2517	THE INFORMATION CONTAINED IN THIS DRAWING IS THE SOLE PROPERTY OF SOLVE IMG. ANY REPRODUCTION IN PART OR AS A WHOLE WITHOUT THE WRITTEN PERMISSION OF SOLVE IMG IS PROHIBITED.								
				ITEM DESCRIPTION:		12B-3-23TL-2517				SCALE
										1:1
										REV
										-

9 8 7 6 5 4 3 2 1