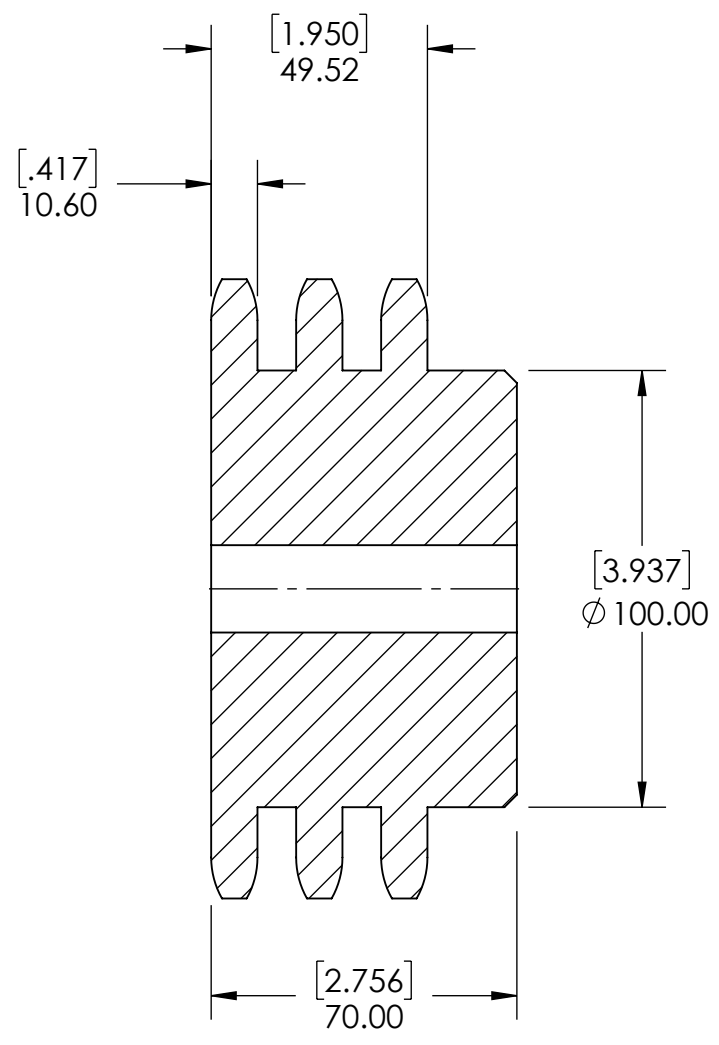
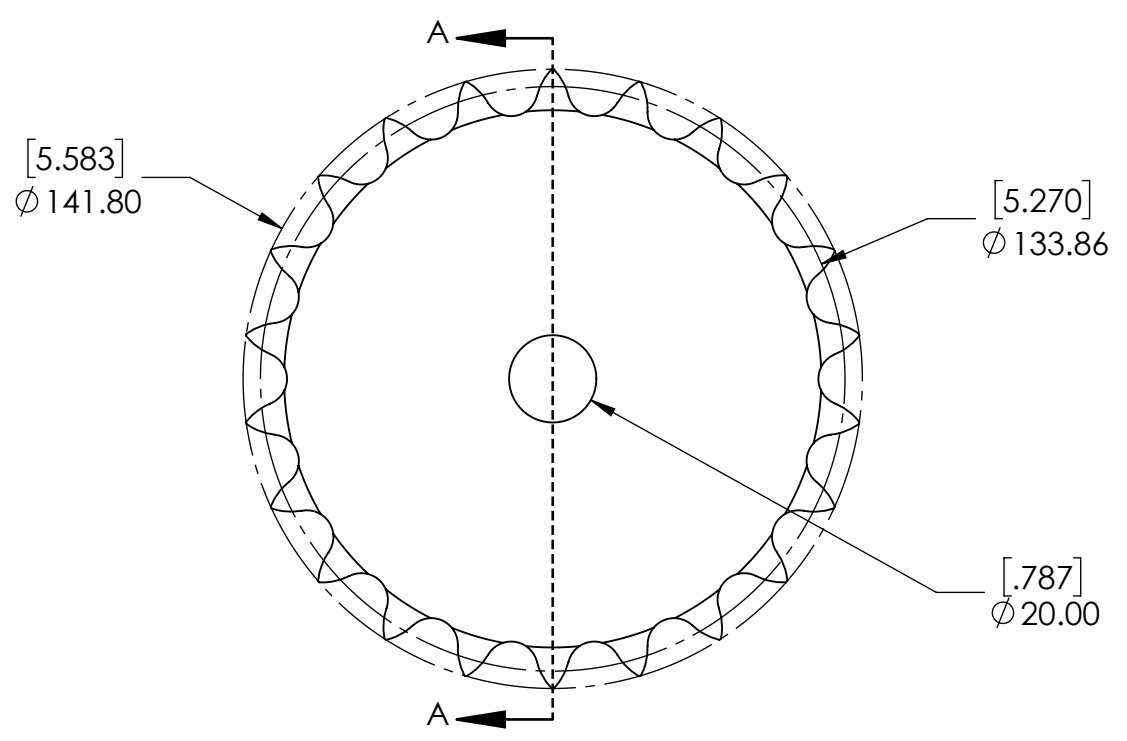


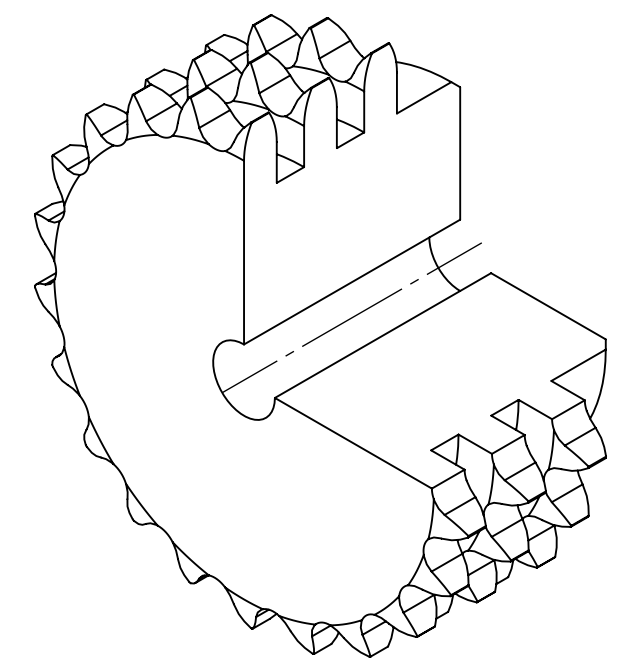
9 8 7 6 5 4 3 2 1

G
F
E
D
C
B
A

G
F
E
D
C
B
A



SECTION A-A



SPROCKETS SPECIFICATIONS		WEIGHT		DATE		BY		REVISION DESCRIPTION		REV
UNITS	mm (INCH)	11.94 LBS								
CHAIN SIZE	12B	STEEL								
PITCH	19.05 mm	BLACK OXIDE		07/31/2025						
INNER WIDTH	11.68 mm	DRAWN		PT						
ROLLER DIA.	12.07 mm	CHECKED		08/06/2025						
TOOTH WIDTH	10.60 mm	APPROVED								
NUMBER OF TEETH	22	THIRD ANGLE PROJECTION								
HUB STYLE	B	DWG. NO.								
BORE TYPE	PLAIN BORE	PTI		PROPRIETARY AND CONFIDENTIAL						
BUSHING NUMBER	N/A	12B-3-22B		THE INFORMATION CONTAINED IN THIS DRAWING IS THE SOLE PROPERTY OF SOLVE IMG. ANY REPRODUCTION IN PART OR AS A WHOLE WITHOUT THE WRITTEN PERMISSION OF SOLVE IMG IS PROHIBITED.						
ITEM DESCRIPTION:										SCALE
										1:1
										REV
										-

9 8 7 6 5 4 3 2 1