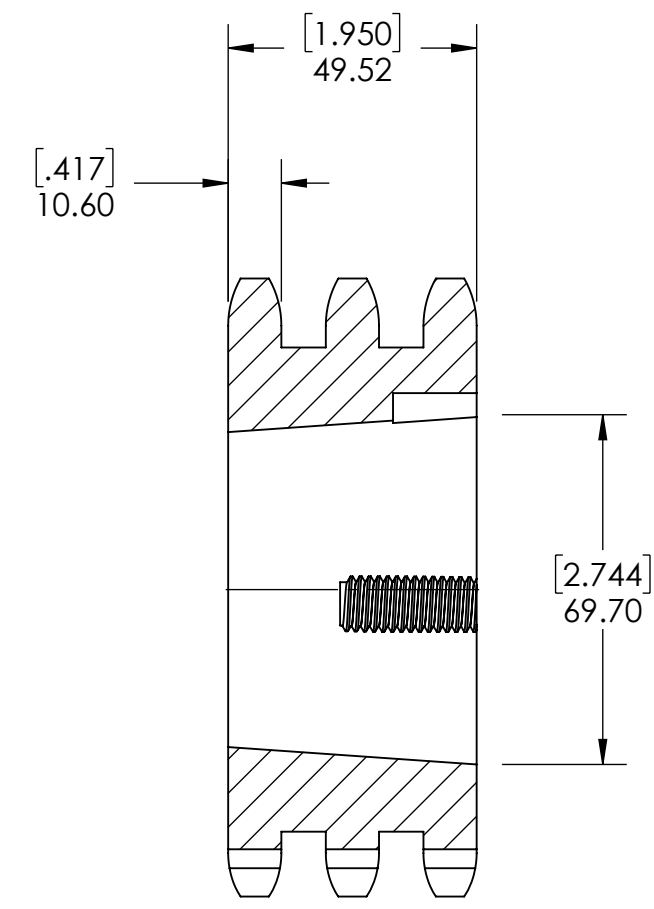
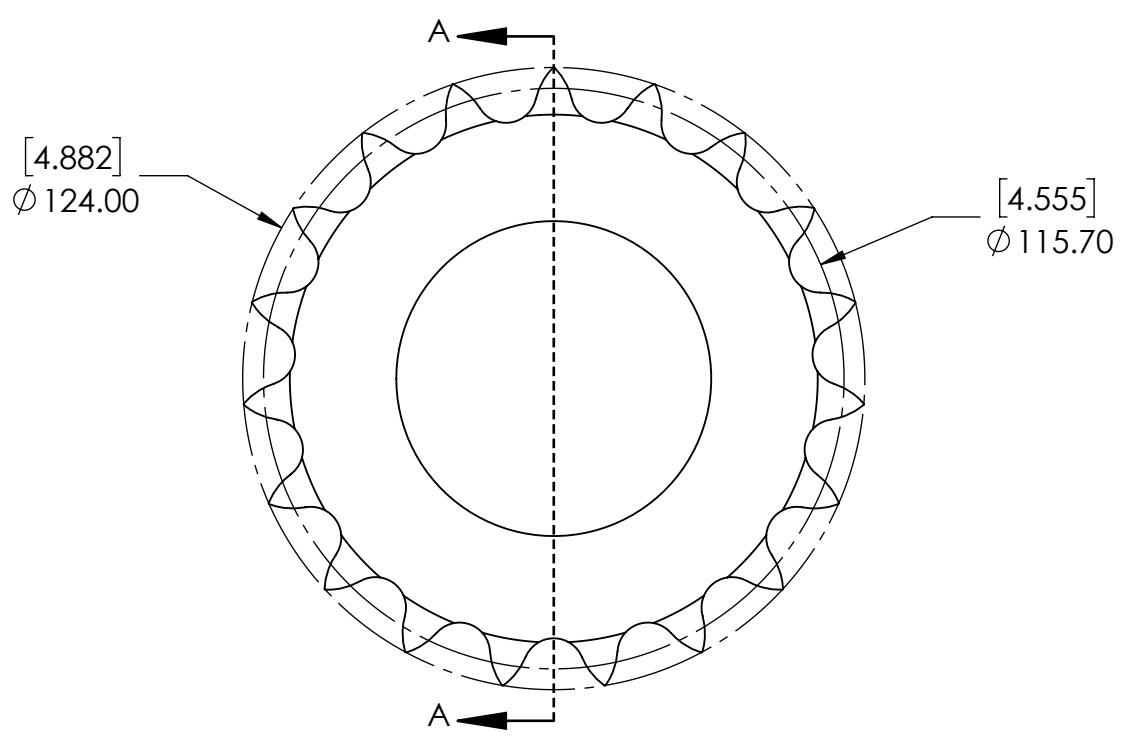
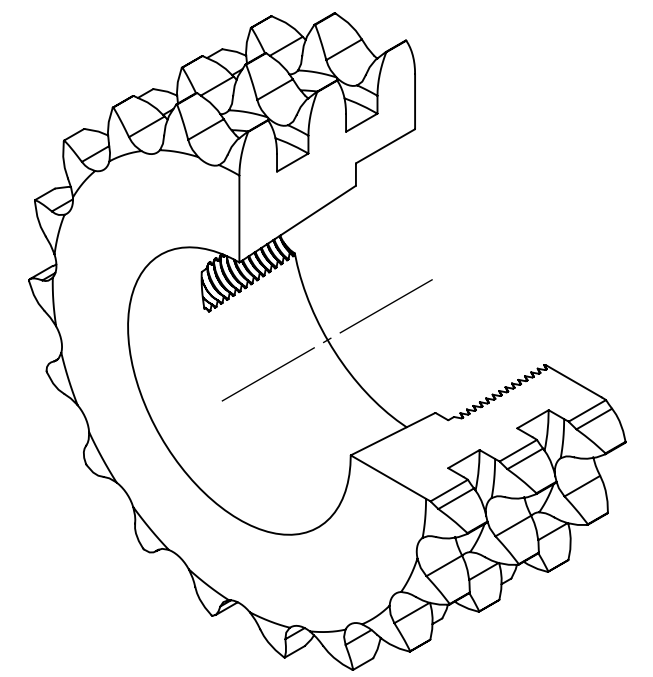


9 8 7 6 5 4 3 2 1

G F E D C B A



SECTION A-A



A B C D E F G

9 8 7 6 5 4 3 2 1

SPROCKETS SPECIFICATIONS		WEIGHT		DATE		BY		REVISION DESCRIPTION		REV
UNITS	mm (INCH)	4.52 LBS								
CHAIN SIZE	12B	MATERIAL	STEEL							
PITCH	19.05 mm	COATING	BLACK OXIDE	DRAWN	SEC	07/31/2025				
INNER WIDTH	11.68 mm	CHECKED	SEC	07/31/2025						
ROLLER DIA.	12.07 mm	APPROVED								
TOOTH WIDTH	10.60 mm									
NUMBER OF TEETH	19	DWG. NO.		ITEM DESCRIPTION:		12B-3-19TL-2012		SCALE	1:1	
HUB STYLE	A	PROPRIETARY AND CONFIDENTIAL		THE INFORMATION CONTAINED IN THIS DRAWING IS THE SOLE PROPERTY OF SOLVE IMAG. ANY REPRODUCTION IN PART OR AS A WHOLE WITHOUT THE WRITTEN PERMISSION OF SOLVE IMAG IS PROHIBITED.						
BORE TYPE	FOR TAPER BUSHING									
BUSHING NUMBER	2012									