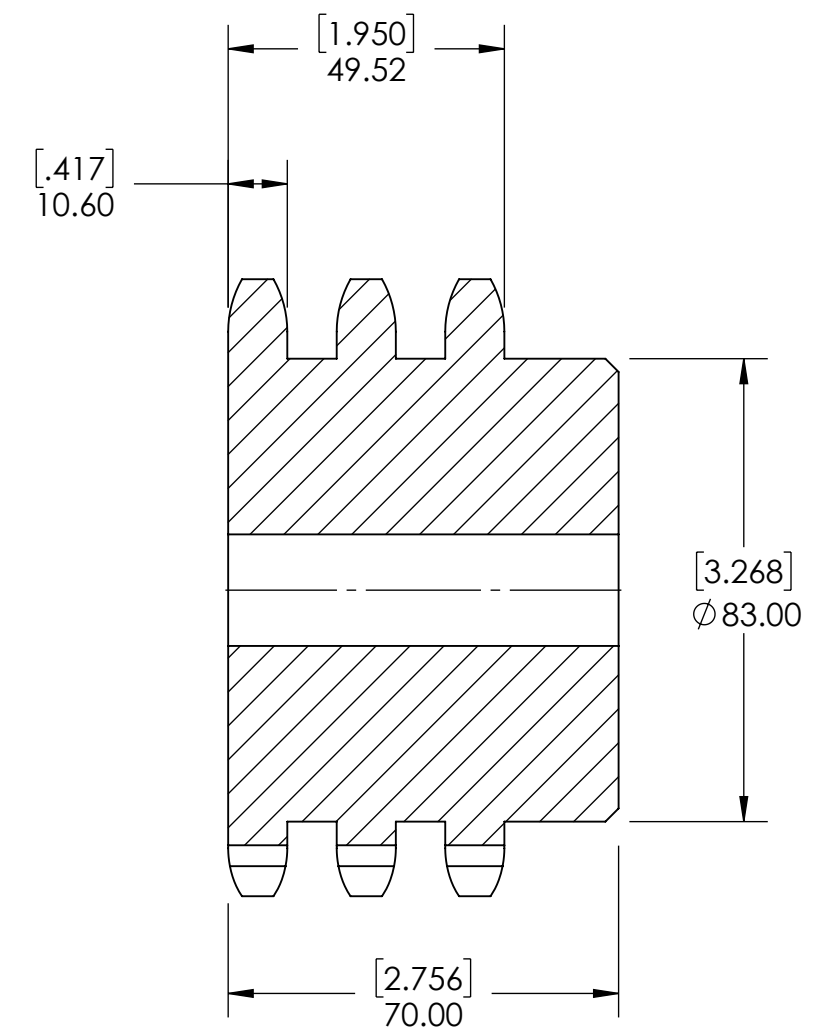
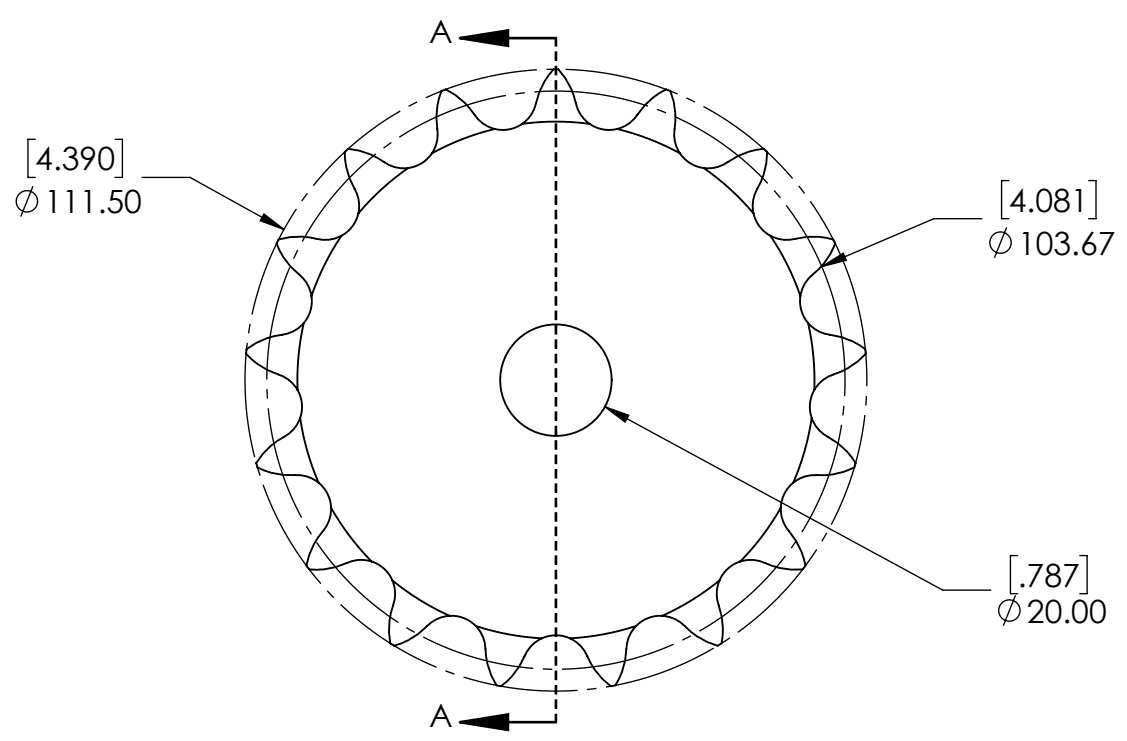
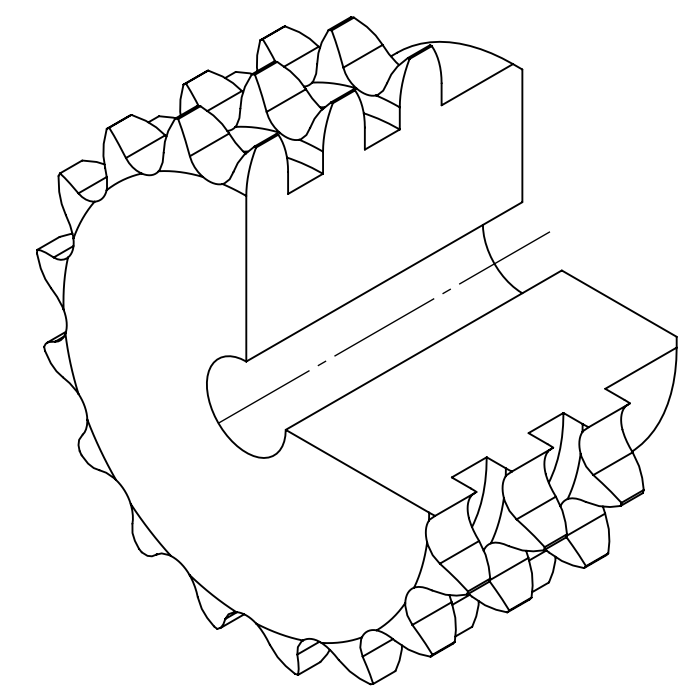


9 8 7 6 5 4 3 2 1

G F E D C B A



SECTION A-A



SPROCKETS SPECIFICATIONS		WEIGHT		DATE		BY		REVISION DESCRIPTION		REV
UNITS	mm (INCH)	7.37 LBS								SCALE
CHAIN SIZE	12B	MATERIAL	STEEL							1:1
PITCH	19.05 mm	COATING	BLACK OXIDE							REV
INNER WIDTH	11.68 mm	DRAWN	SEC	07/31/2025						-
ROLLER DIA.	12.07 mm	CHECKED	PT	08/06/2025						
TOOTH WIDTH	10.60 mm	APPROVED								
NUMBER OF TEETH	17					ITEM DESCRIPTION:		12B-3-17B		
HUB STYLE	B									
BORE TYPE	PLAIN BORE	DWG. NO.		PROPRIETARY AND CONFIDENTIAL <small>THE INFORMATION CONTAINED IN THIS DRAWING IS THE SOLE PROPERTY OF SOLVE IMG. ANY REPRODUCTION IN PART OR AS A WHOLE WITHOUT THE WRITTEN PERMISSION OF SOLVE IMG IS PROHIBITED.</small>						
BUSHING NUMBER	N/A									

9 8 7 6 5 4 3 2 1

A B C D E F G