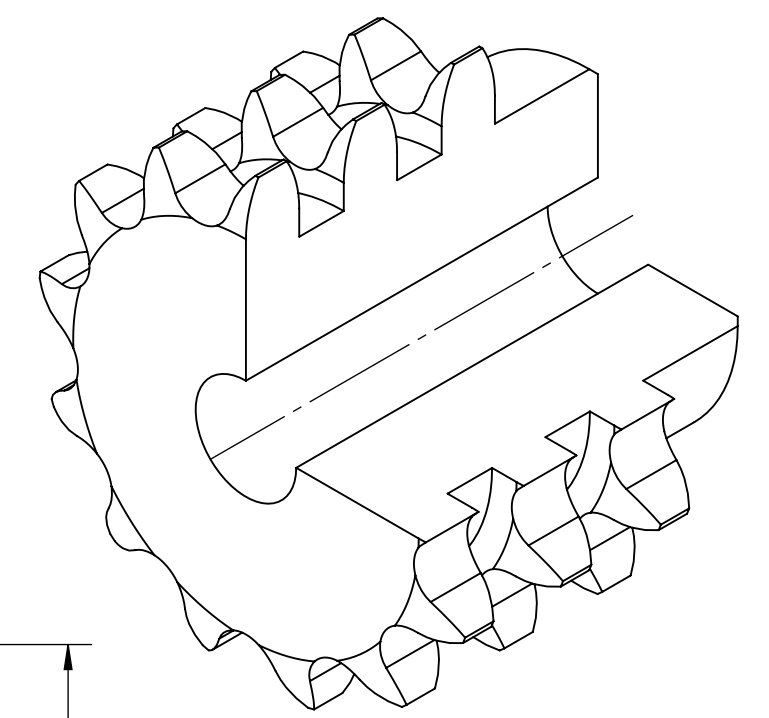
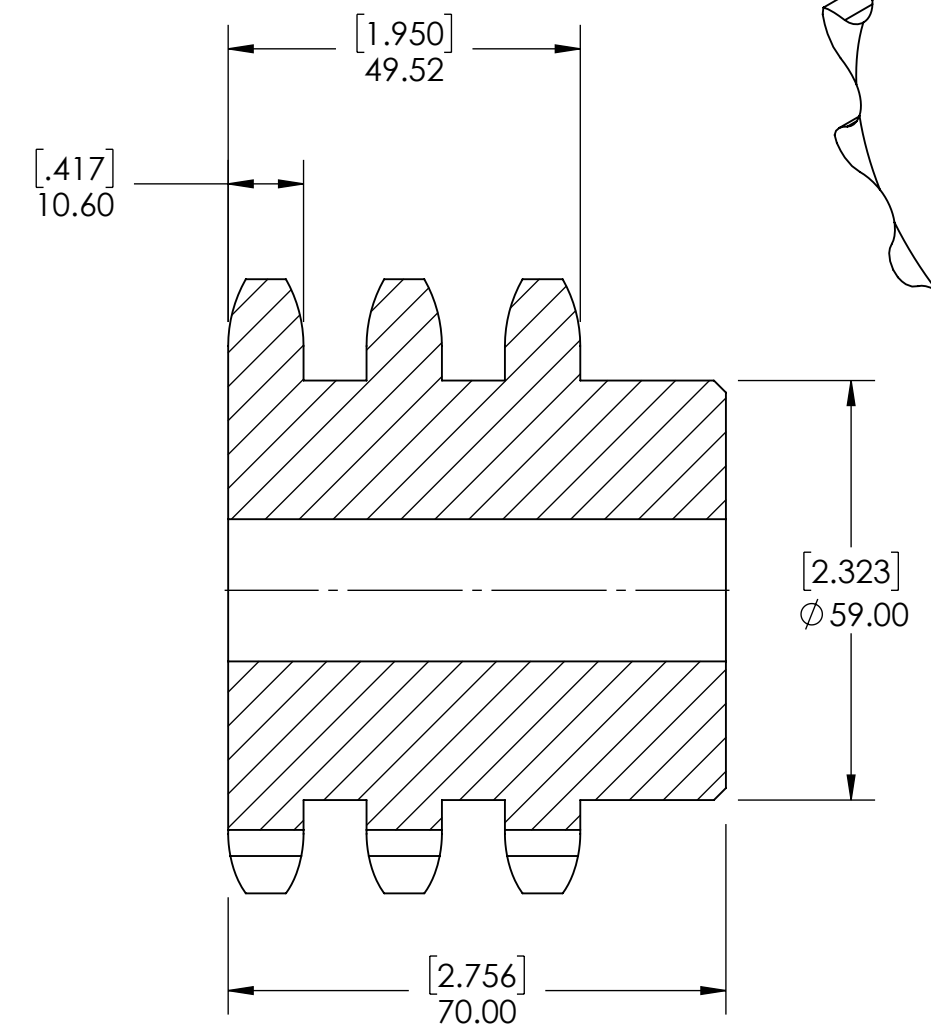
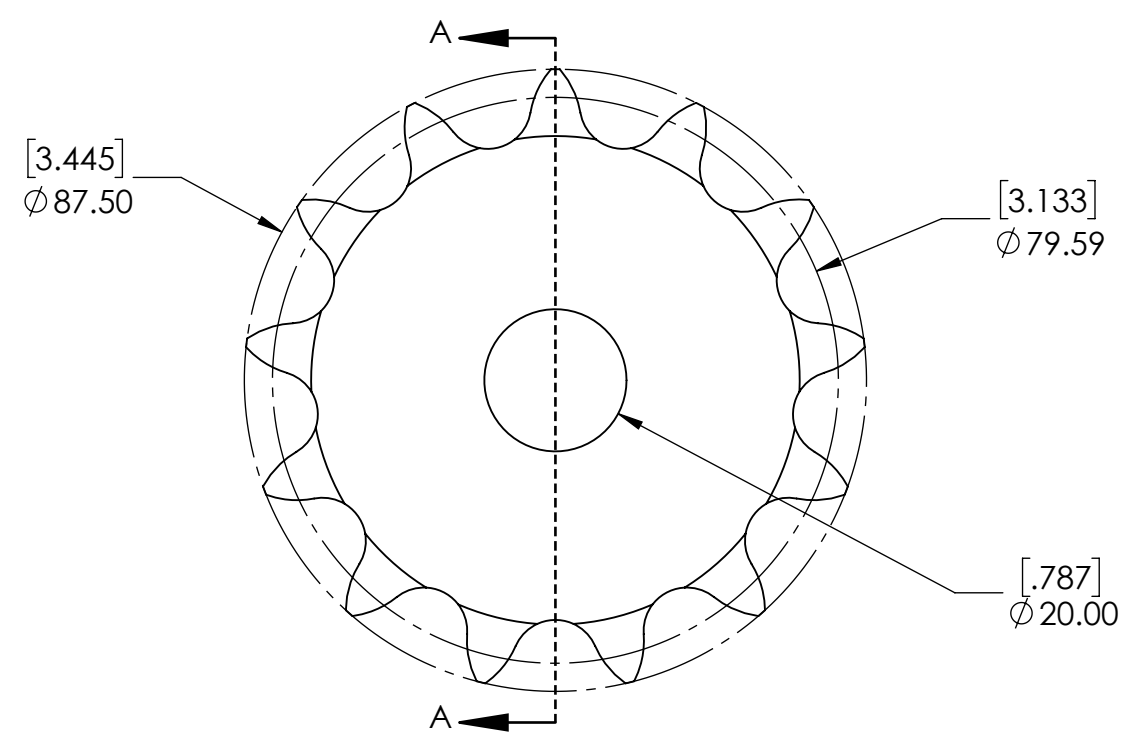


9 8 7 6 5 4 3 2 1

G
F
E
D
C
B
A

G
F
E
D
C
B
A



SECTION A-A

SPROCKETS SPECIFICATIONS		WEIGHT		3.82 LBS	
UNITS	mm (INCH)	MATERIAL	STEEL		
CHAIN SIZE	12B	COATING	BLACK OXIDE		
PITCH	19.05 mm	DRAWN	SEC	07/31/2025	
INNER WIDTH	11.68 mm	CHECKED			
ROLLER DIA.	12.07 mm	APPROVED			
TOOTH WIDTH	10.60 mm				
NUMBER OF TEETH	13				
HUB STYLE	B				
BORE TYPE	PLAIN BORE				
BUSHING NUMBER	N/A				
SIZE B		DWG. NO.		DATE	
				BY	
				REVISION DESCRIPTION	
				ITEM DESCRIPTION:	
				12B-3-13B	
				SCALE	
				1:1	
				REV	
				-	

9 8 7 6 5 4 3 2 1

A

A