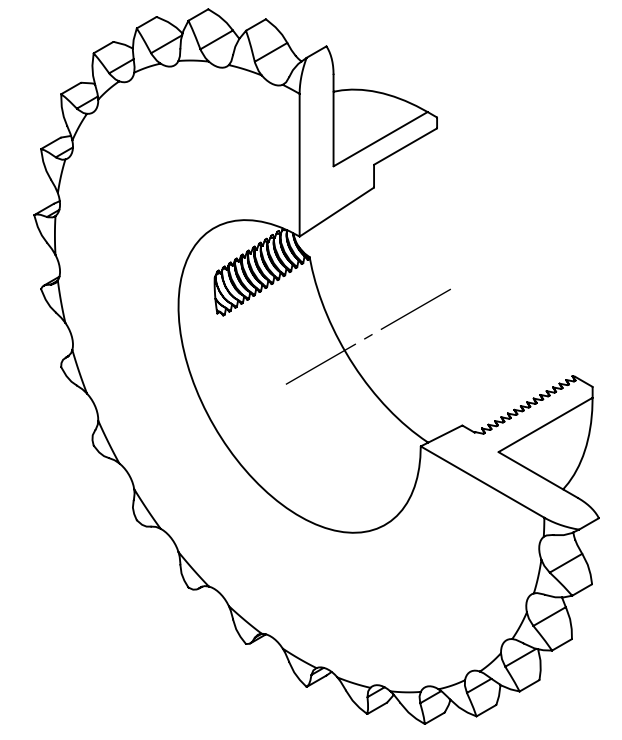
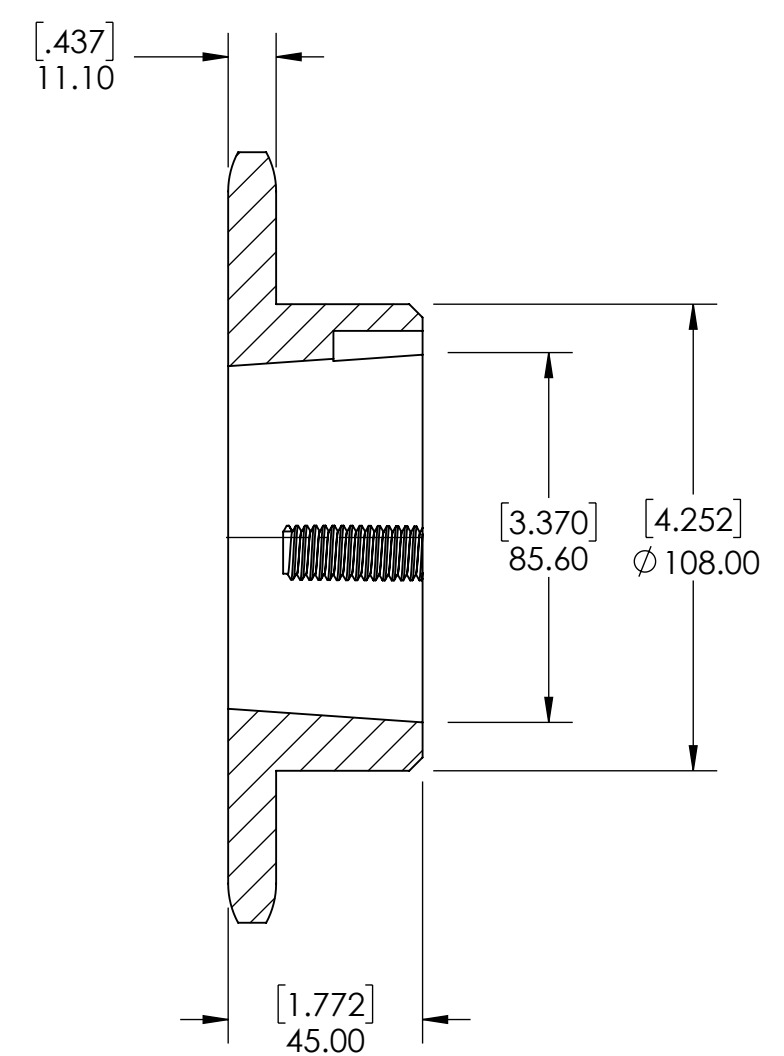
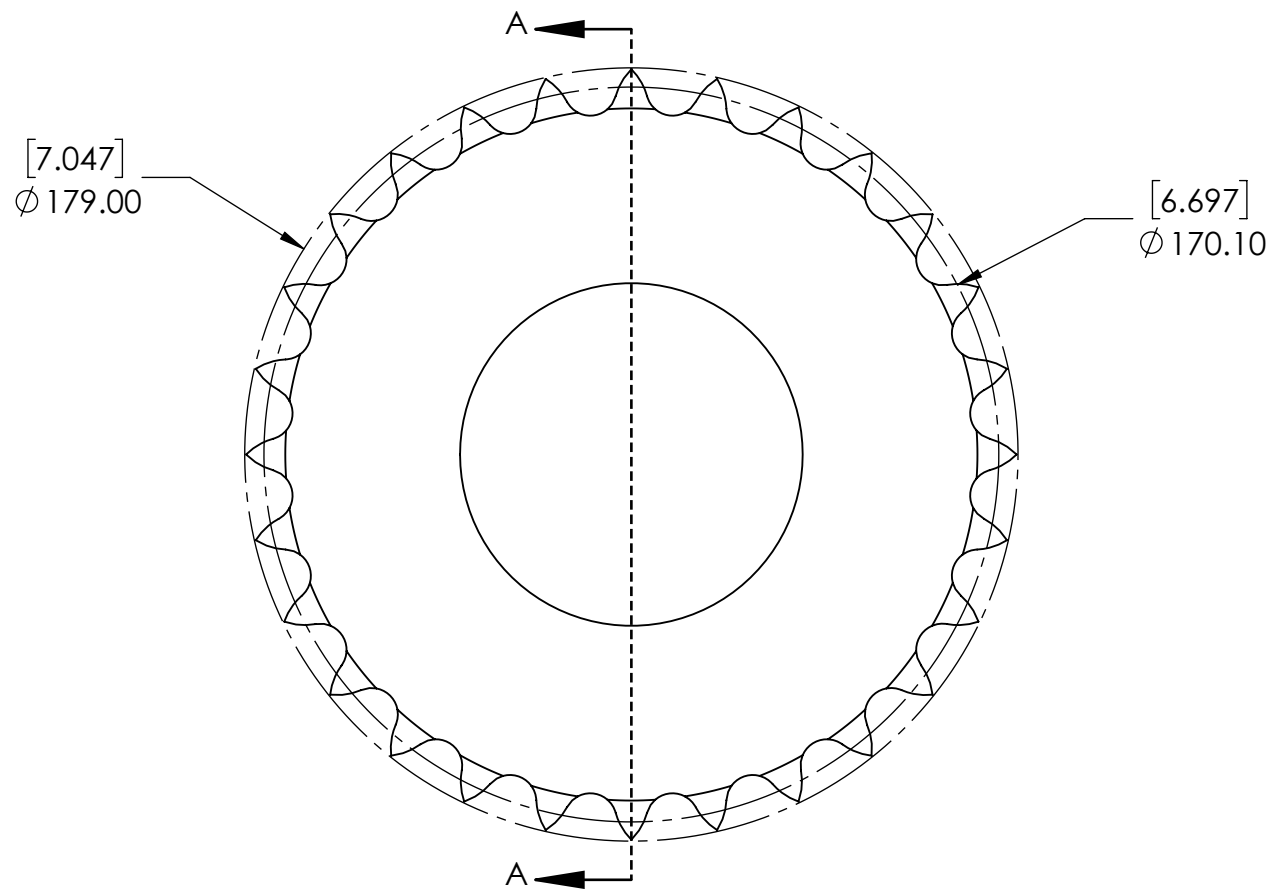


9 8 7 6 5 4 3 2 1

G
F
E
D
C
B
A

G
F
E
D
C
B
A



SECTION A-A

SPROCKETS SPECIFICATIONS		WEIGHT		DATE		BY		REVISION DESCRIPTION		REV
UNITS	mm (INCH)	5.21 LBS								
CHAIN SIZE	12B	STEEL								
PITCH	19.05 mm	BLACK OXIDE		07/21/2025						
INNER WIDTH	11.68 mm	DRAWN		SEC						
ROLLER DIA.	12.07 mm	CHECKED		SEC		07/28/2025				
TOOTH WIDTH	11.10 mm	APPROVED								
NUMBER OF TEETH	28	THIRD ANGLE PROJECTION								
HUB STYLE	B	DWG. NO.								
BORE TYPE	FOR TAPER BUSHING	PTI		PROPRIETARY AND CONFIDENTIAL						
BUSHING NUMBER	2517	THE INFORMATION CONTAINED IN THIS DRAWING IS THE SOLE PROPERTY OF SOLVE IMG. ANY REPRODUCTION IN PART OR AS A WHOLE WITHOUT THE WRITTEN PERMISSION OF SOLVE IMG IS PROHIBITED.								
								ITEM DESCRIPTION:		SCALE
								12B-28TL-2517		1:1
										REV
										-

9 8 7 6 5 4 3 2 1