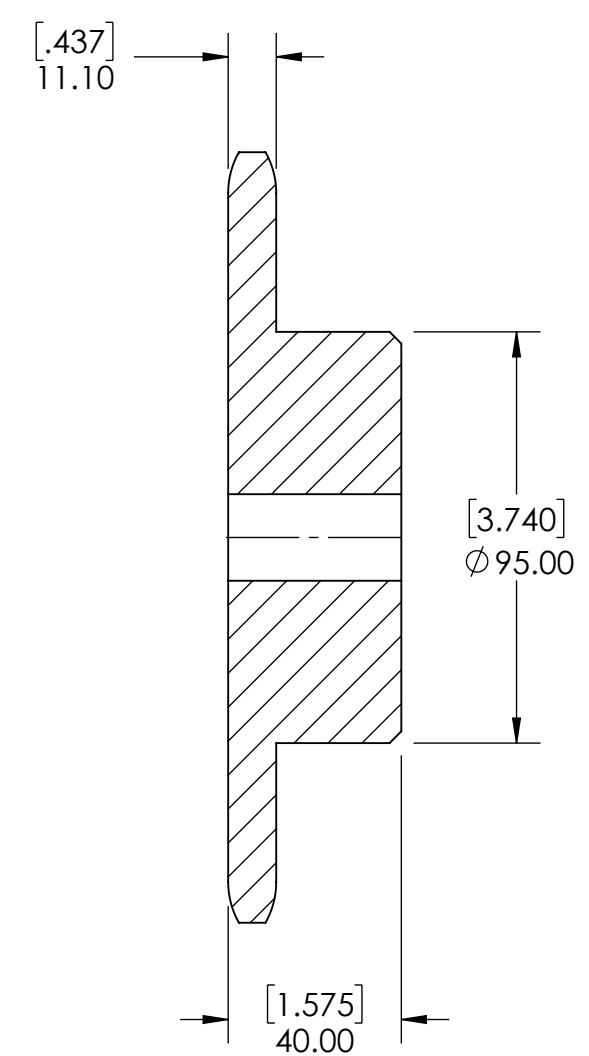
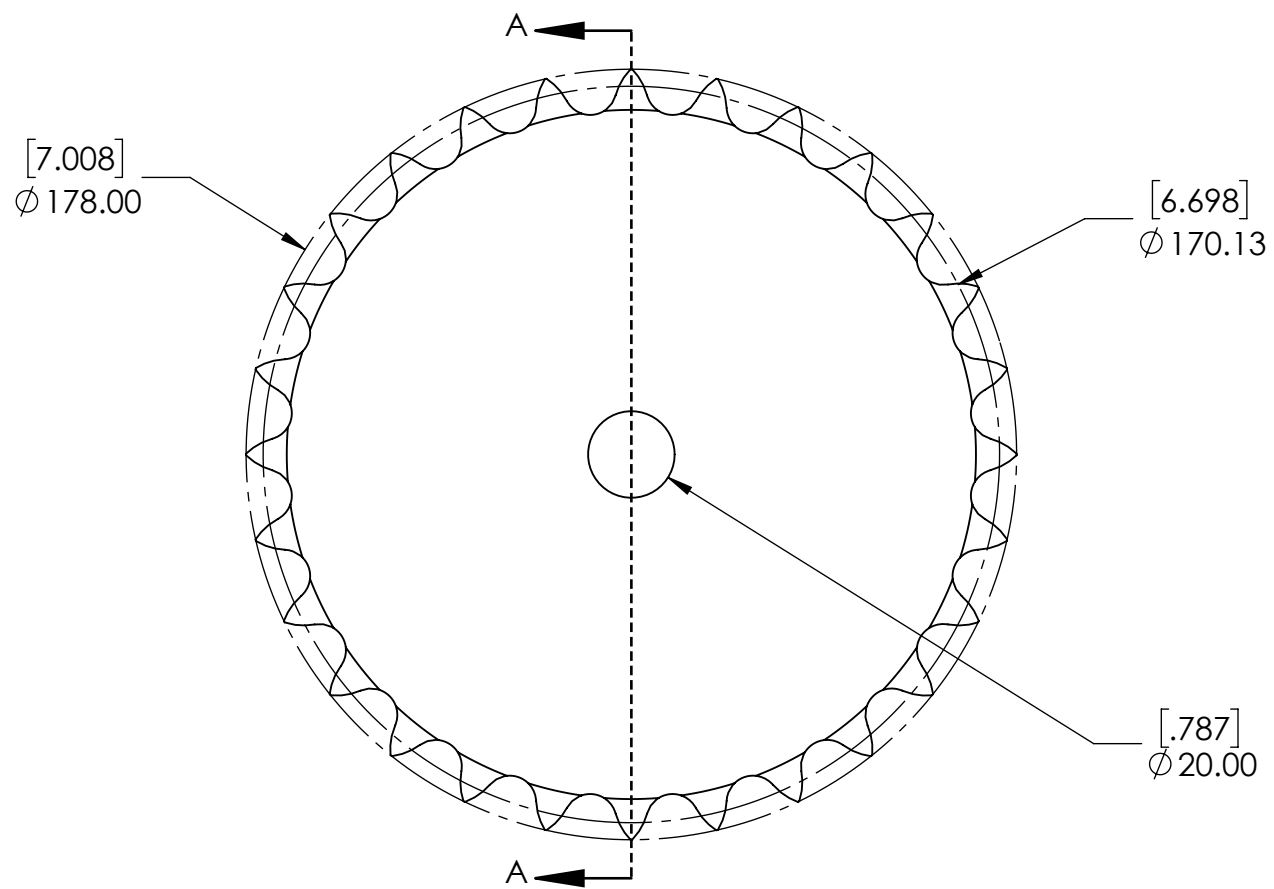


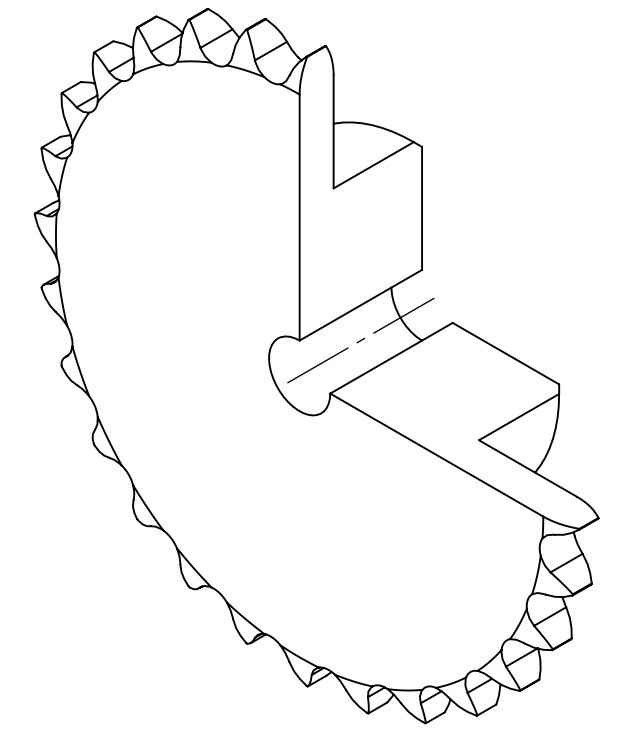
9 8 7 6 5 4 3 2 1

G
F
E
D
C
B
A

G
F
E
D
C
B
A



SECTION A-A



SPROCKETS SPECIFICATIONS		WEIGHT		DATE		BY		REVISION DESCRIPTION		REV
UNITS	mm (INCH)	7.41 LBS								
CHAIN SIZE	12B	MATERIAL	STEEL							
PITCH	19.05 mm	COATING	BLACK OXIDE							
INNER WIDTH	11.68 mm	DRAWN	SEC	07/21/2025						
ROLLER DIA.	12.07 mm	CHECKED	DH	08/14/2025						
TOOTH WIDTH	11.10 mm	APPROVED								
NUMBER OF TEETH	28									
HUB STYLE	B									
BORE TYPE	PLAIN BORE									
BUSHING NUMBER	N/A									
		DWG. NO.								
						ITEM DESCRIPTION:				SCALE
						12B-28B				1:1
										REV
										-

9 8 7 6 5 4 3 2 1