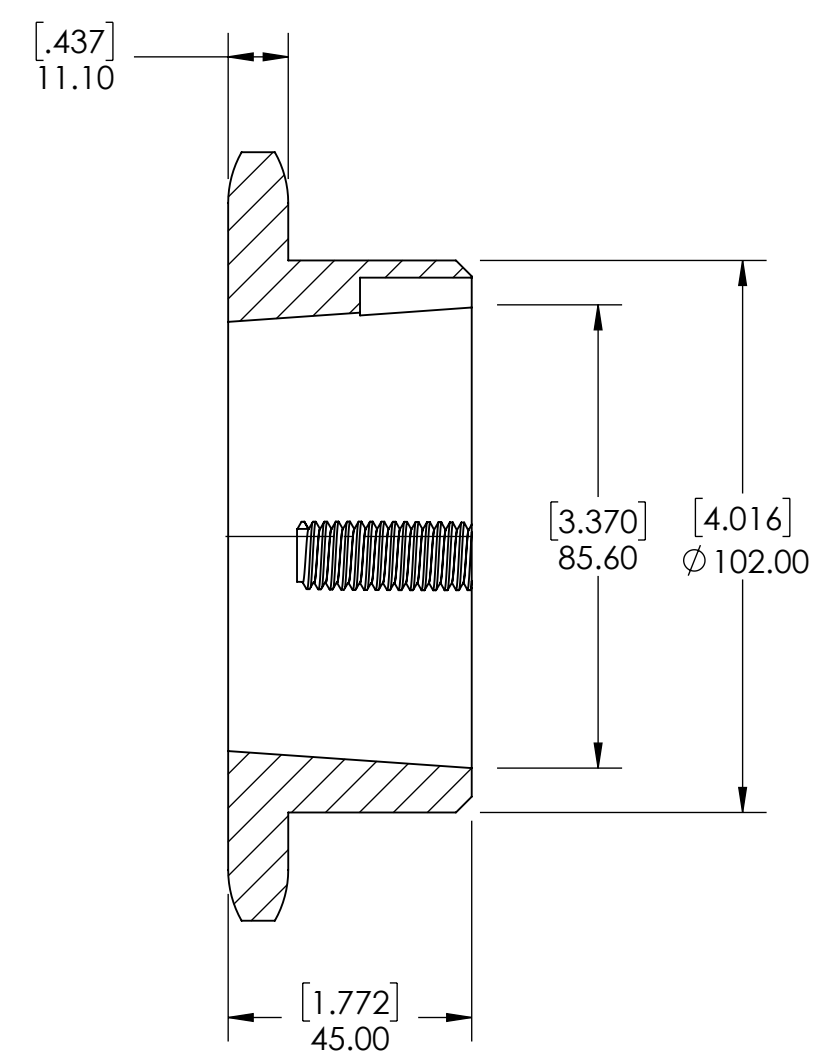
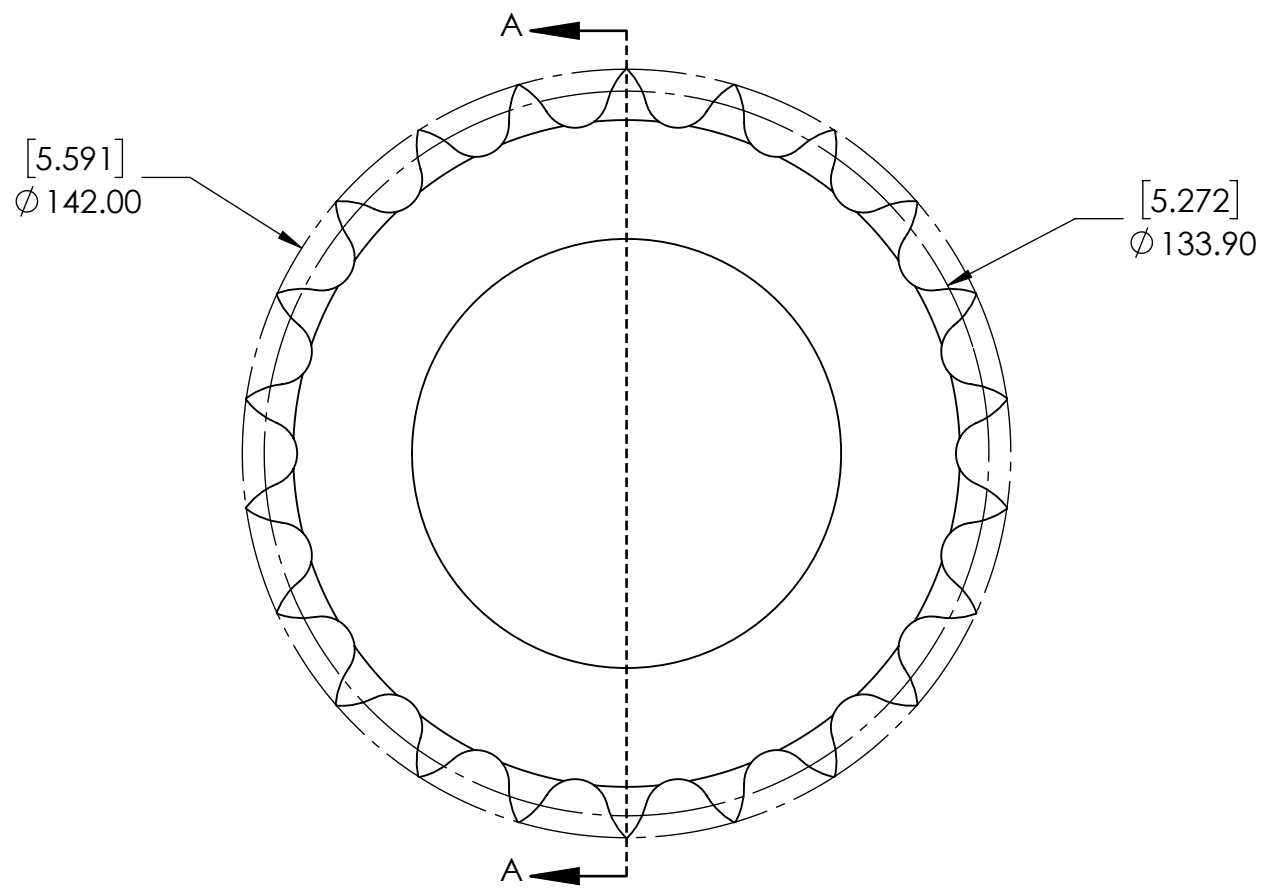


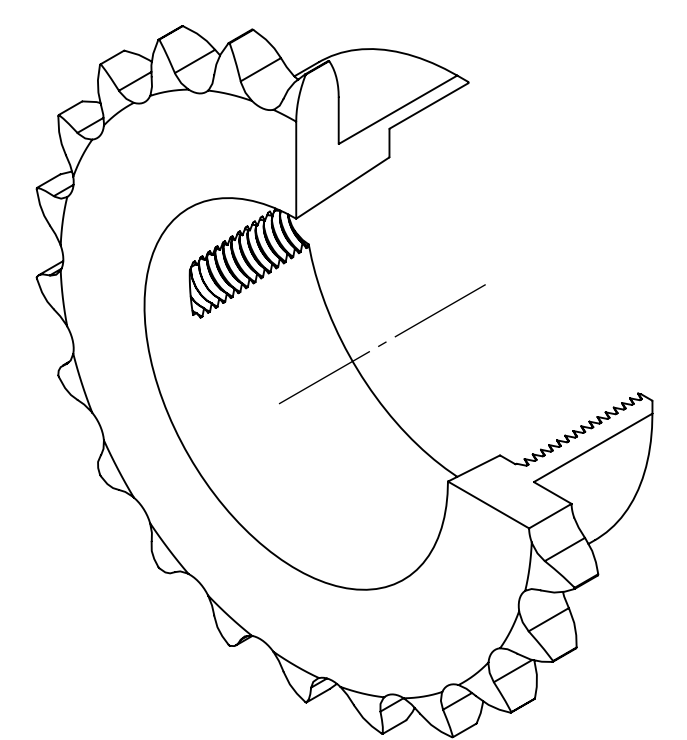
9 8 7 6 5 4 3 2 1

G
F
E
D
C
B
A

G
F
E
D
C
B
A



SECTION A-A



SPROCKETS SPECIFICATIONS		WEIGHT		DATE		BY		REVISION DESCRIPTION		REV
UNITS	mm (INCH)	3.03 LBS								
CHAIN SIZE	12B	MATERIAL	STEEL							
PITCH	19.05 mm	COATING	BLACK OXIDE							
INNER WIDTH	11.68 mm	DRAWN	SEC 07/21/2025							
ROLLER DIA.	12.07 mm	CHECKED	SEC 07/28/2025							
TOOTH WIDTH	11.10 mm	APPROVED								
NUMBER OF TEETH	22									
HUB STYLE	B									
BORE TYPE	FOR TAPER BUSHING	DWG. NO.								
BUSHING NUMBER	2517			<small>PROPRIETARY AND CONFIDENTIAL</small> <small>THE INFORMATION CONTAINED IN THIS DRAWING IS THE SOLE PROPERTY OF SOLVE IMG. ANY REPRODUCTION IN PART OR AS A WHOLE WITHOUT THE WRITTEN PERMISSION OF SOLVE IMG IS PROHIBITED.</small>		ITEM DESCRIPTION:		12B-22TL-2517		SCALE
										1:1
										-

9 8 7 6 5 4 3 2 1