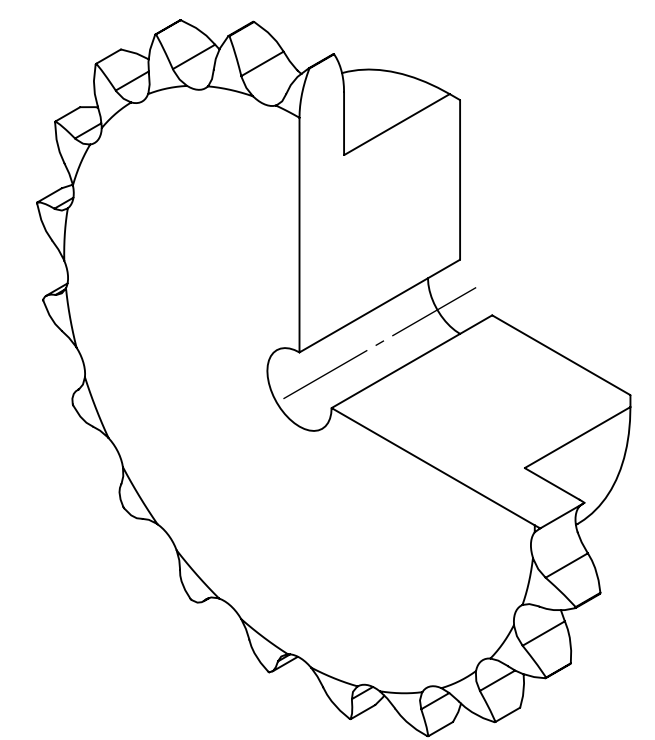
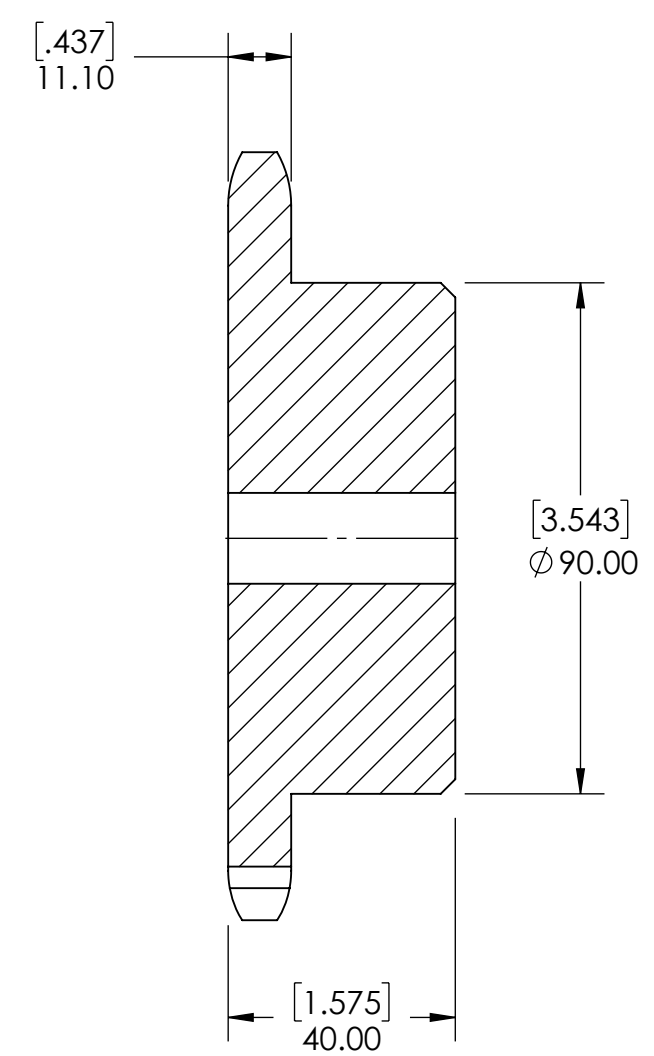
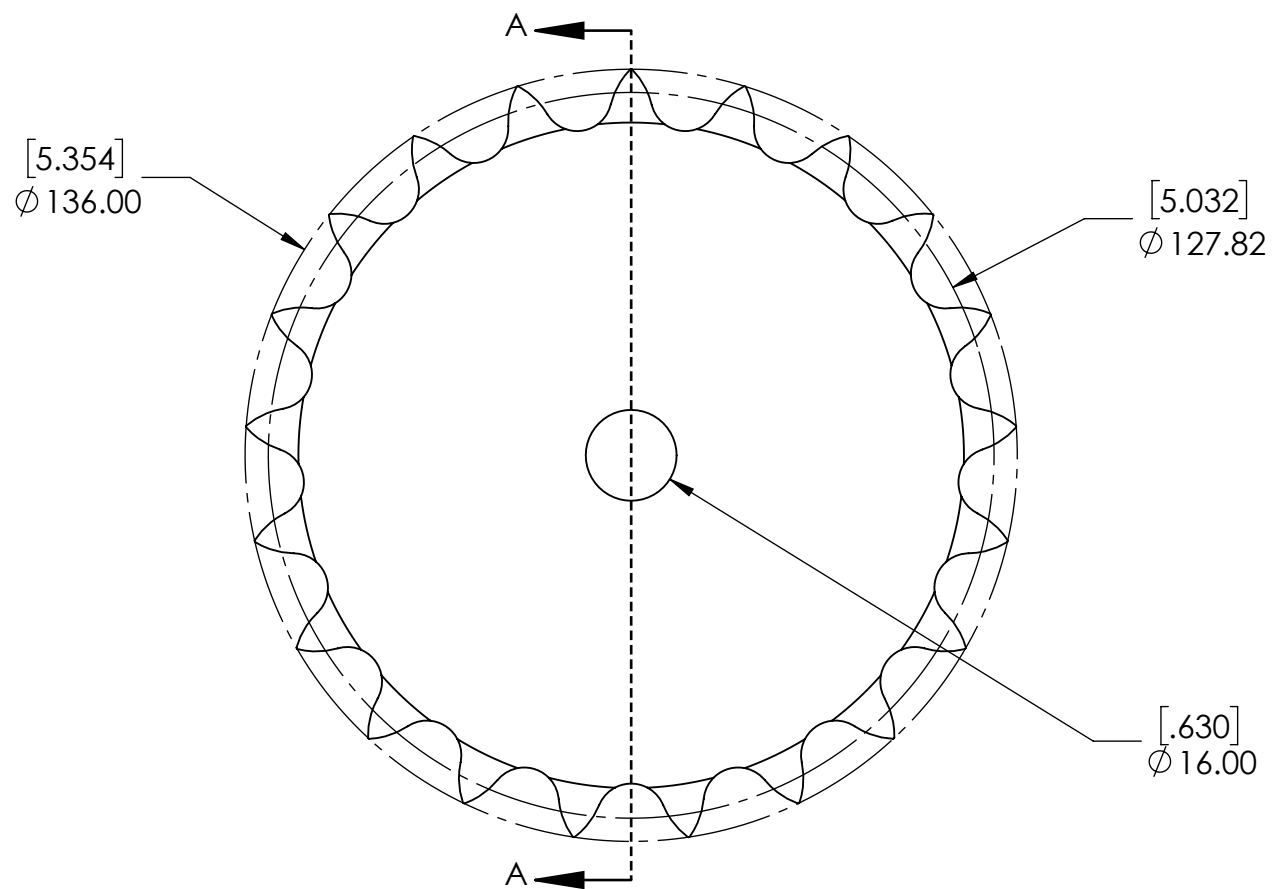


9 8 7 6 5 4 3 2 1

G F E D C B A



SECTION A-A

SPROCKETS SPECIFICATIONS		WEIGHT		5.40 LBS	
UNITS	mm (INCH)	MATERIAL	STAINLESS STEEL		
CHAIN SIZE	12B	COATING	N/A		
PITCH	19.05 mm	DRAWN	SEC	08/18/2025	
INNER WIDTH	11.68 mm	CHECKED	DH	08/18/2025	
ROLLER DIA.	12.07 mm	APPROVED	DATE BY REVISION DESCRIPTION		
TOOTH WIDTH	11.10 mm		ITEM DESCRIPTION:		
NUMBER OF TEETH	21		12B-21BSS		
HUB STYLE	B	DWG. NO.		PROPRIETARY AND CONFIDENTIAL	
BORE TYPE	PLAIN BORE			THE INFORMATION CONTAINED IN THIS DRAWING IS THE SOLE PROPERTY OF SOLVE IMG. ANY REPRODUCTION IN PART OR AS A WHOLE WITHOUT THE WRITTEN PERMISSION OF SOLVE IMG IS PROHIBITED.	
BUSHING NUMBER	N/A			SCALE	1:1
				REV	-

9 8 7 6 5 4 3 2 1

A