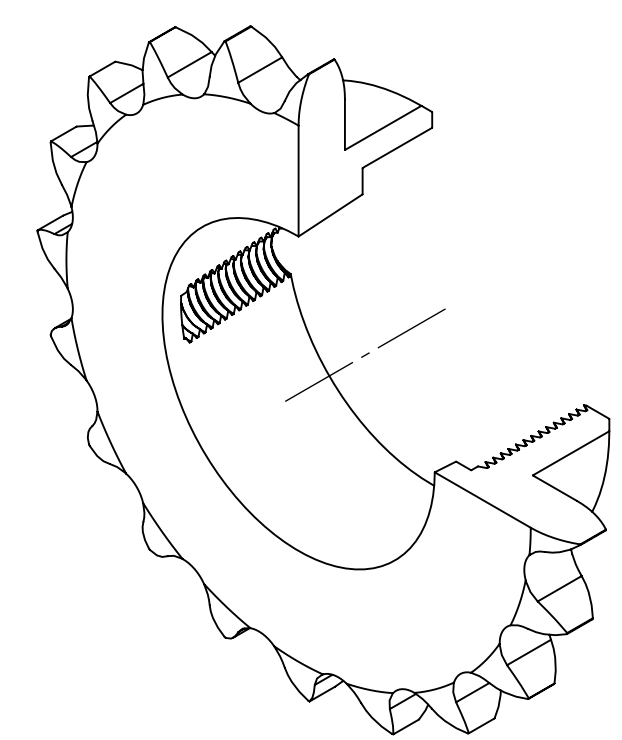
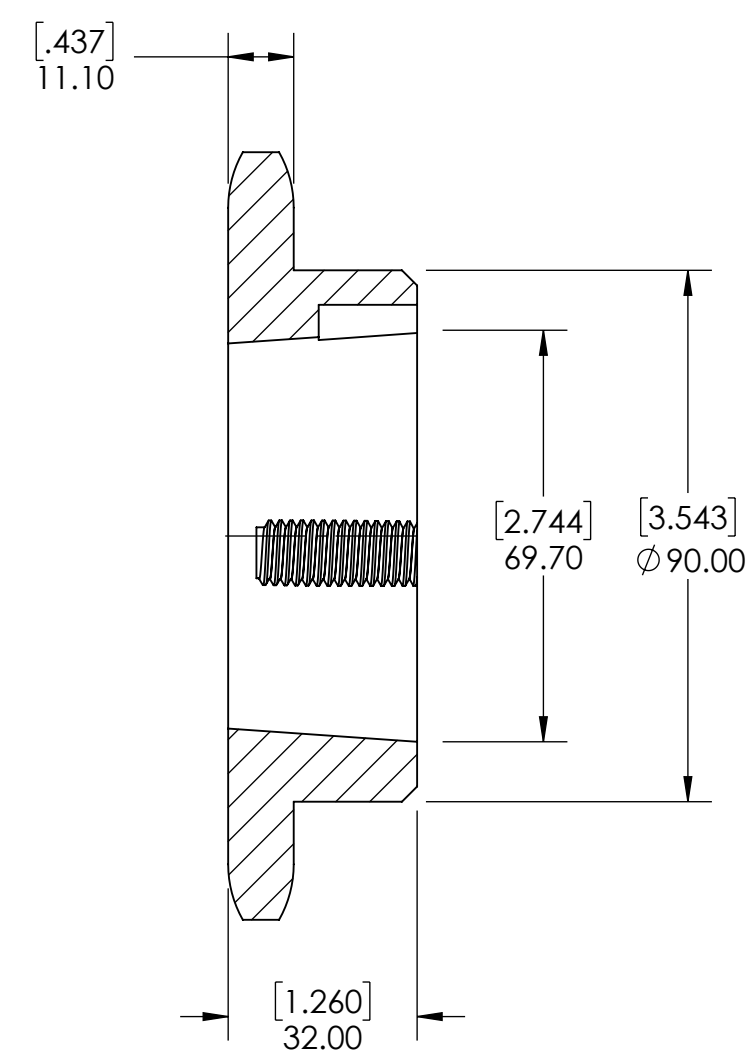
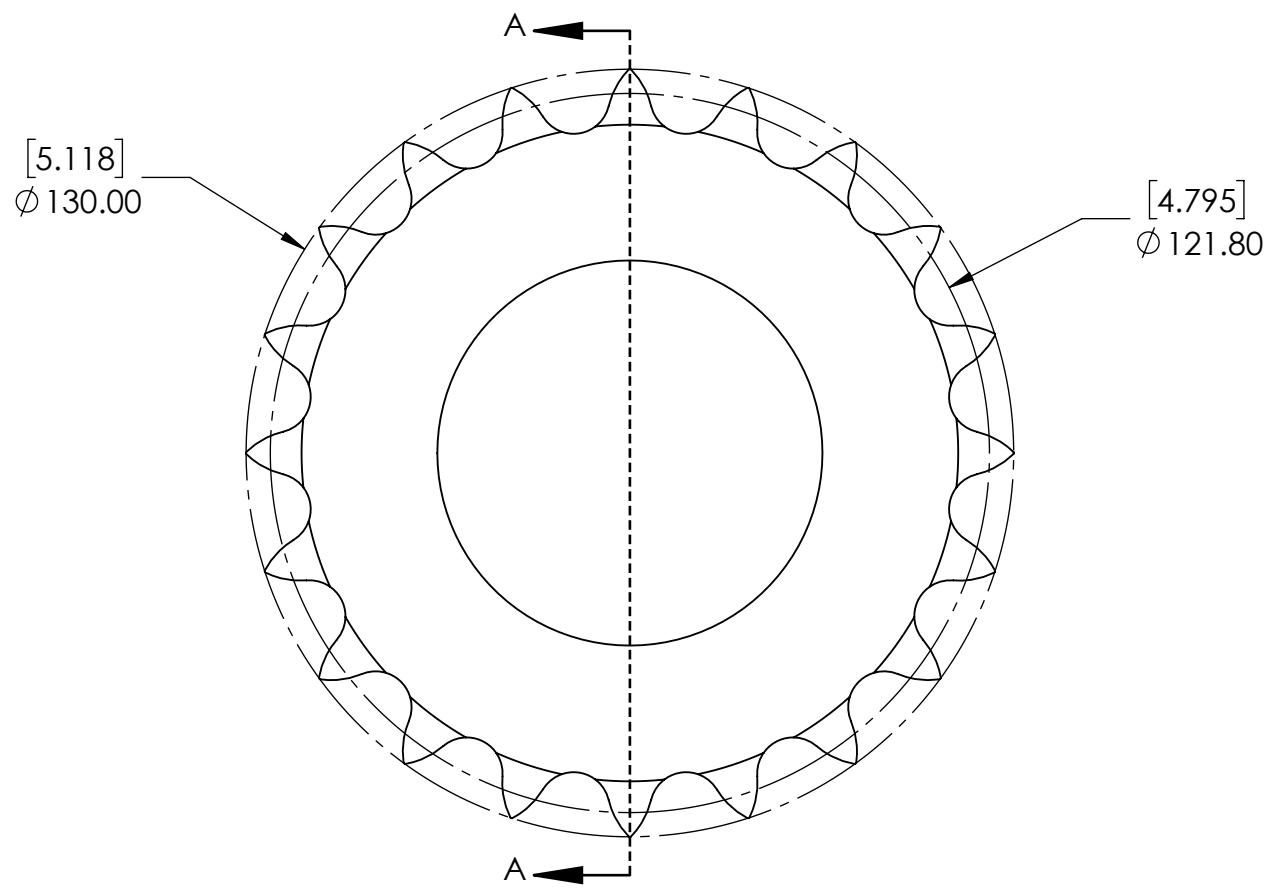


9 8 7 6 5 4 3 2 1

G  
F  
E  
D  
C  
B  
A

G  
F  
E  
D  
C  
B  
A



SECTION A-A

SPROCKETS SPECIFICATIONS		WEIGHT		DATE		BY		REVISION DESCRIPTION		REV
UNITS	mm (INCH)	2.31 LBS								SCALE
CHAIN SIZE	12B	STEEL								1:1
PITCH	19.05 mm	BLACK OXIDE		07/21/2025						REV
INNER WIDTH	11.68 mm	DRAWN		SEC						-
ROLLER DIA.	12.07 mm	CHECKED		SEC						
TOOTH WIDTH	11.10 mm	APPROVED		07/28/2025						
NUMBER OF TEETH	20	THIRD ANGLE PROJECTION								
HUB STYLE	B	DWG. NO.								
BORE TYPE	FOR TAPER BUSHING	PTI		PROPRIETARY AND CONFIDENTIAL						
BUSHING NUMBER	2012	12B-20TL-2012		THE INFORMATION CONTAINED IN THIS DRAWING IS THE SOLE PROPERTY OF SOLVE IMG. ANY REPRODUCTION IN PART OR AS A WHOLE WITHOUT THE WRITTEN PERMISSION OF SOLVE IMG IS PROHIBITED.						

9 8 7 6 5 4 3 2 1