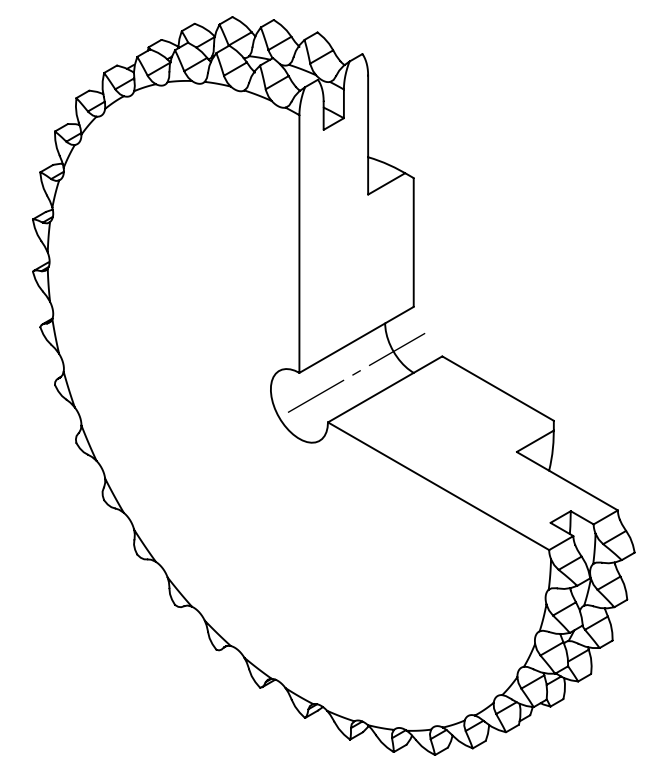
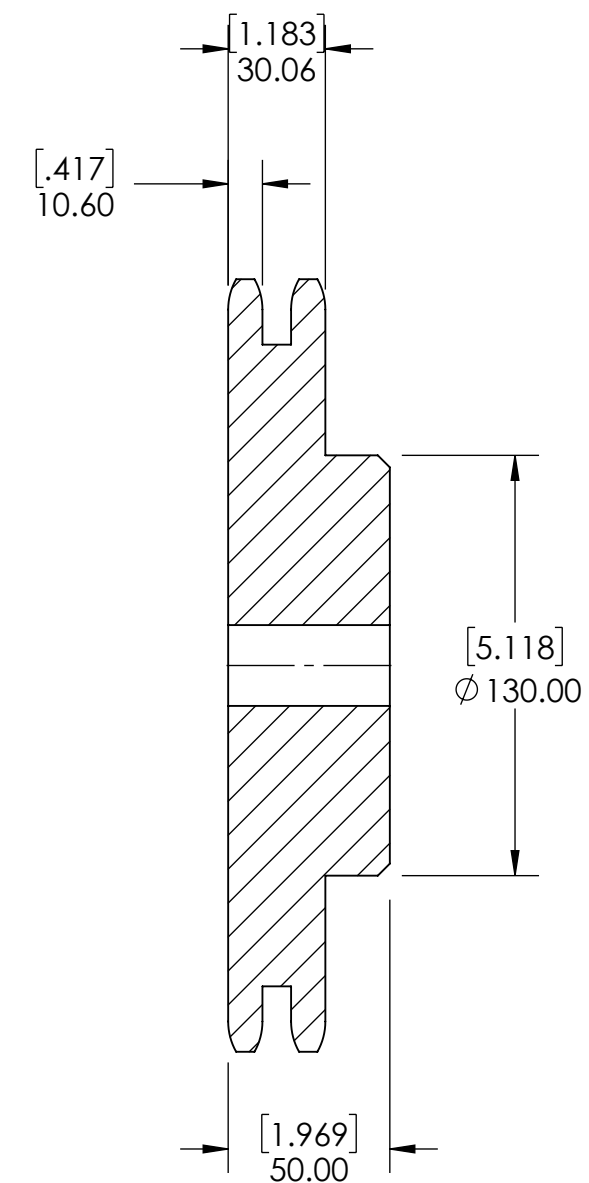
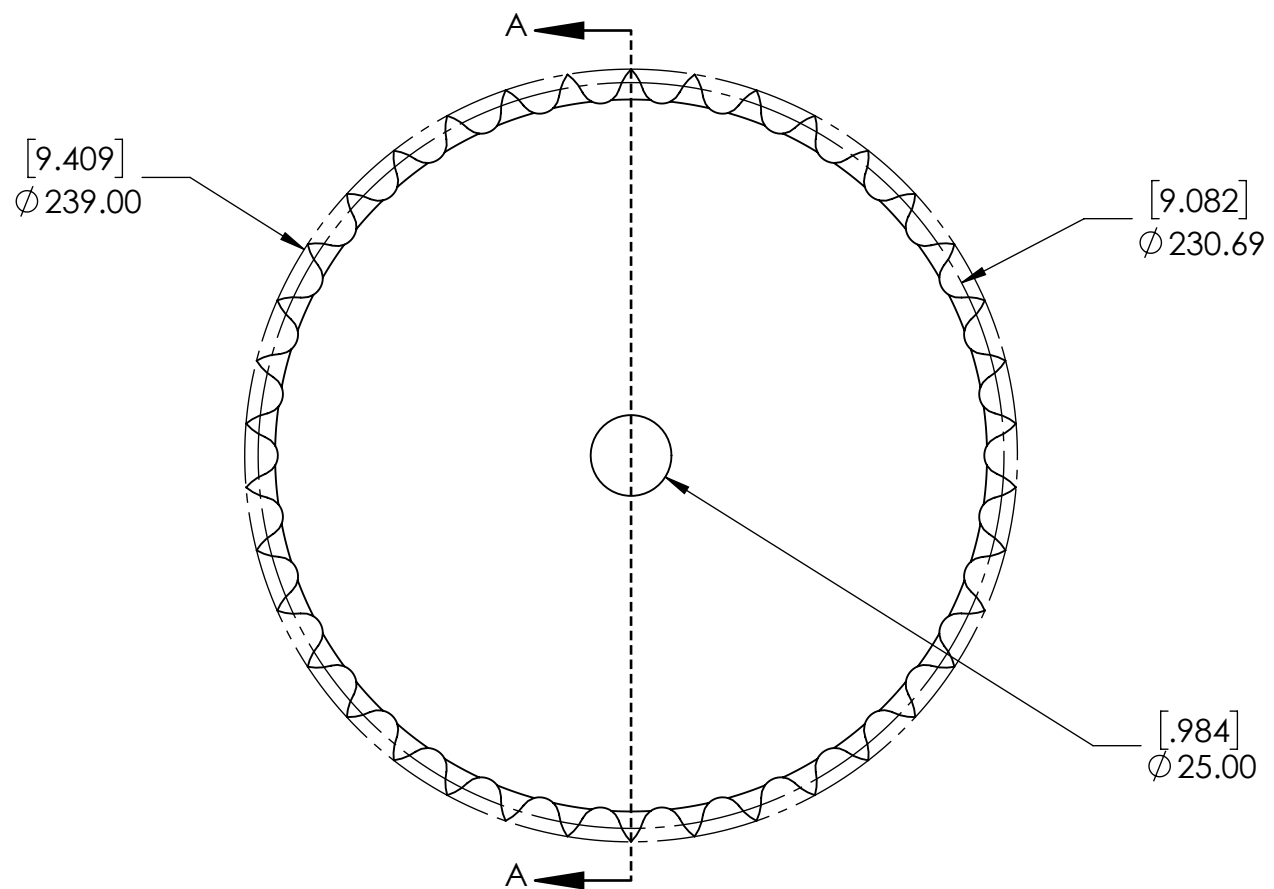


9 8 7 6 5 4 3 2 1

G
F
E
D
C
B
A

G
F
E
D
C
B
A



SECTION A-A

SPROCKETS SPECIFICATIONS		WEIGHT		DATE		BY		REVISION DESCRIPTION		REV
UNITS	mm (INCH)	23.49 LBS								SCALE
CHAIN SIZE	12B	STEEL								1:1
PITCH	19.05 mm	BLACK OXIDE		08/05/2025						REV
INNER WIDTH	11.68 mm	DRAWN		SEC						-
ROLLER DIA.	12.07 mm	CHECKED		SEC						
TOOTH WIDTH	10.60 mm	APPROVED								
NUMBER OF TEETH	38	THIRD ANGLE PROJECTION								
HUB STYLE	B	DWG. NO.								
BORE TYPE	PLAIN BORE	PTI		PROPRIETARY AND CONFIDENTIAL						
BUSHING NUMBER	N/A	ITEM DESCRIPTION:		12B-2-38B						

9 8 7 6 5 4 3 2 1