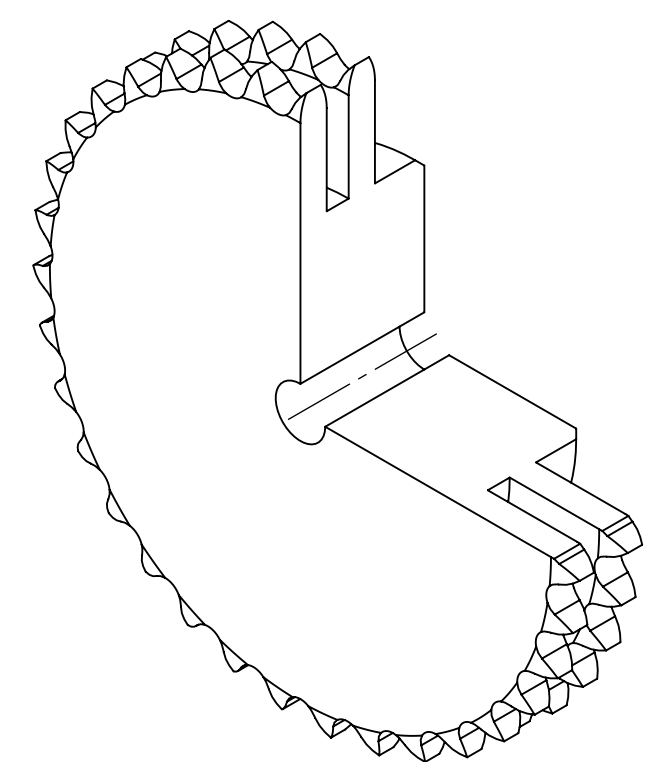
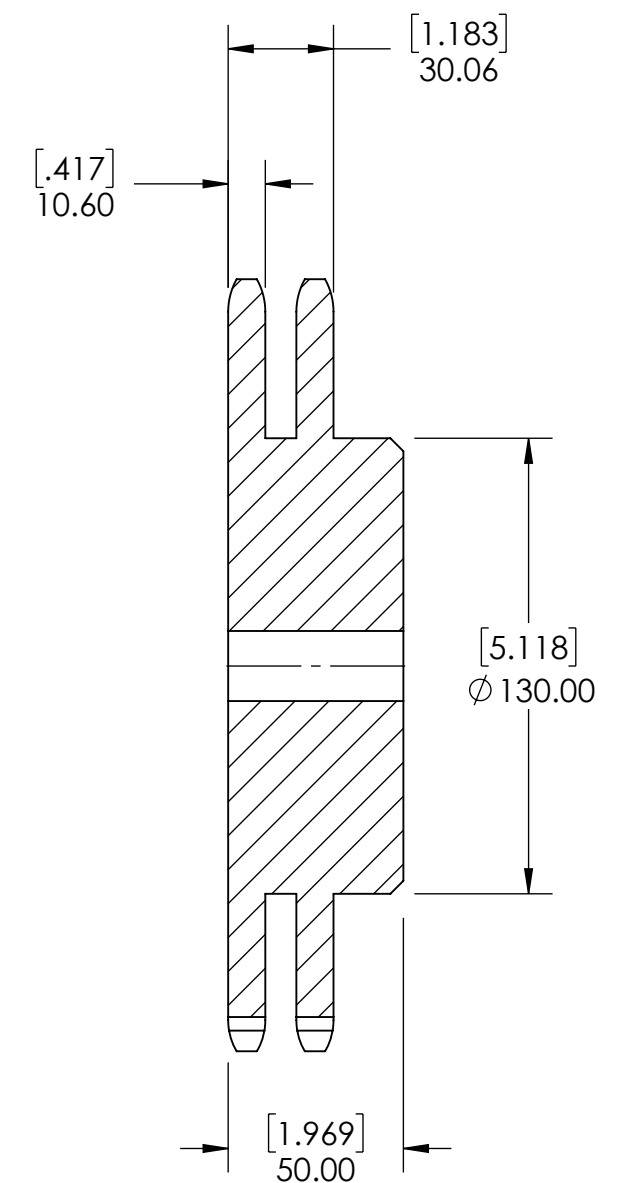
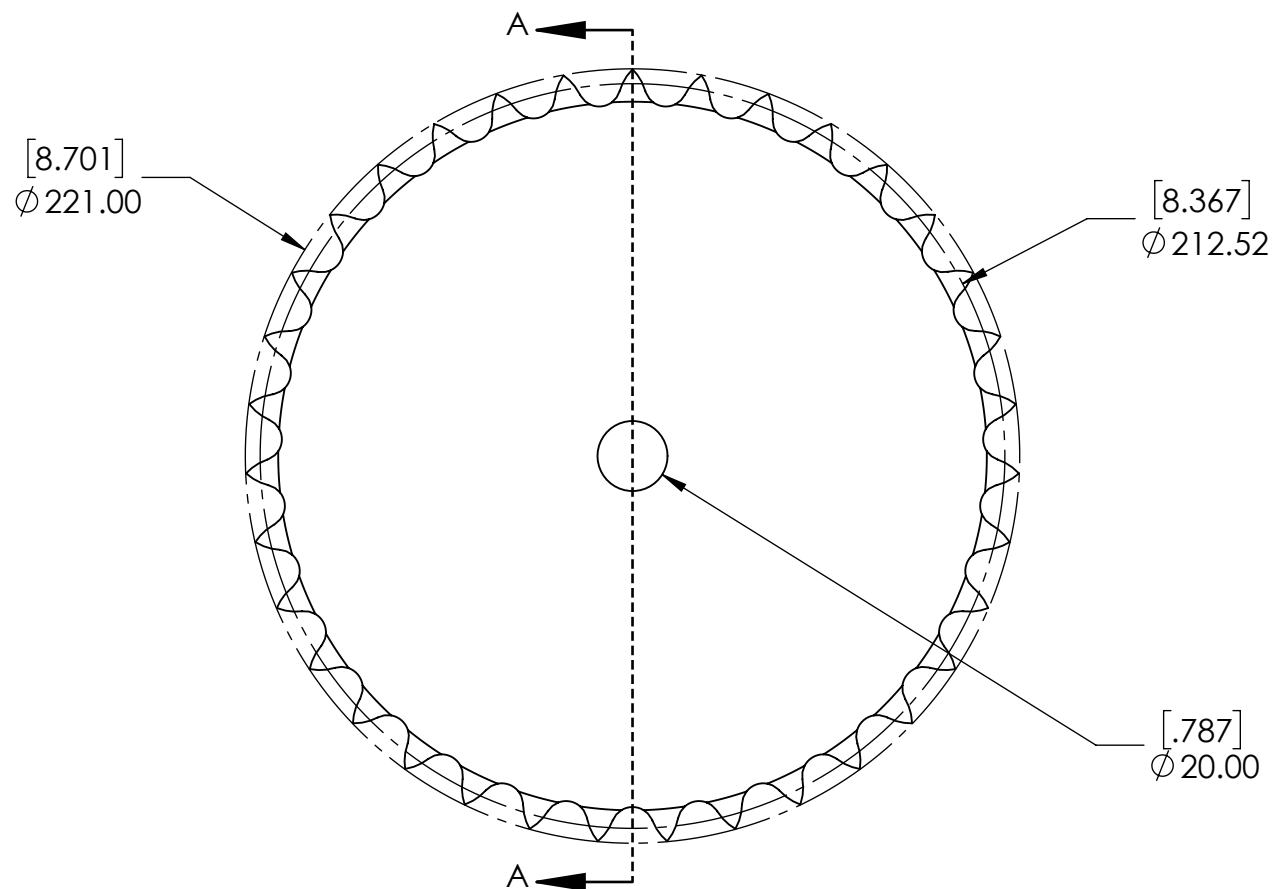


9 8 7 6 5 4 3 2 1

G F E D C B A



SECTION A-A

SPROCKETS SPECIFICATIONS		WEIGHT		18.67 LBS	
UNITS	mm (INCH)	MATERIAL	STEEL		
CHAIN SIZE	12B	COATING	BLACK OXIDE		
PITCH	19.05 mm	DRAWN	SEC	07/31/2025	
INNER WIDTH	11.68 mm	CHECKED			
ROLLER DIA.	12.07 mm	APPROVED			
TOOTH WIDTH	10.60 mm	THIRD ANGLE PROJECTION			
NUMBER OF TEETH	35	DATE	BY	REVISION DESCRIPTION	
HUB STYLE	B				
BORE TYPE	PLAIN BORE	DWG. NO.		ITEM DESCRIPTION:	
BUSHING NUMBER	N/A	PTI		12B-2-35B	
		PROPRIETARY AND CONFIDENTIAL		SCALE	
		THE INFORMATION CONTAINED IN THIS DRAWING IS THE SOLE PROPERTY OF SOLVE IMG. ANY REPRODUCTION IN PART OR AS A WHOLE WITHOUT THE WRITTEN PERMISSION OF SOLVE IMG IS PROHIBITED.		1:1	
				REV	
				-	

9 8 7 6 5 4 3 2 1

A