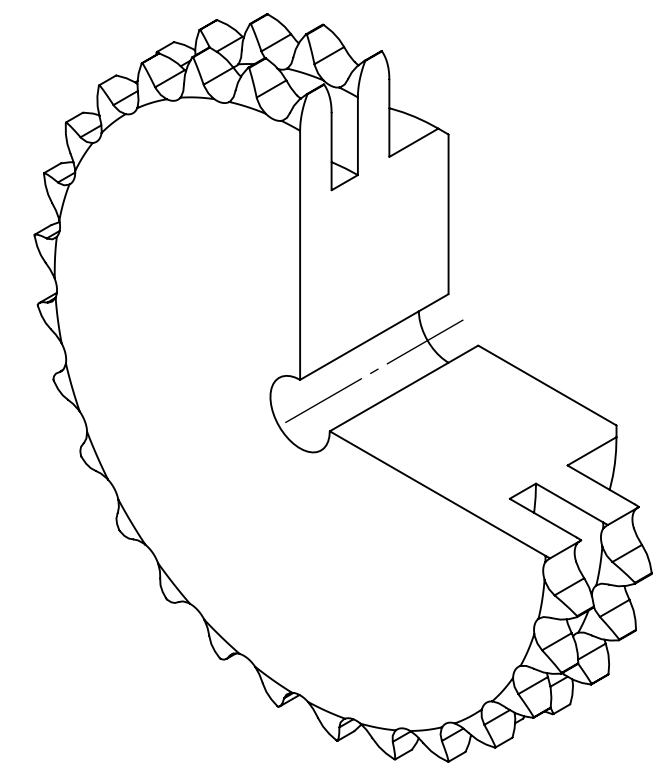
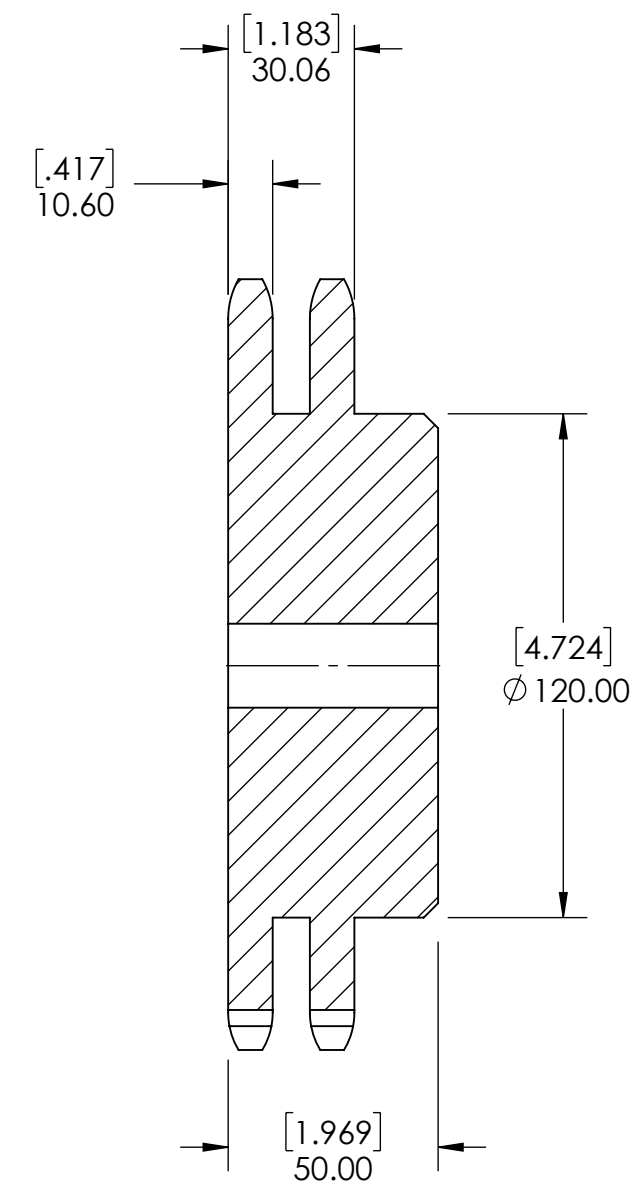
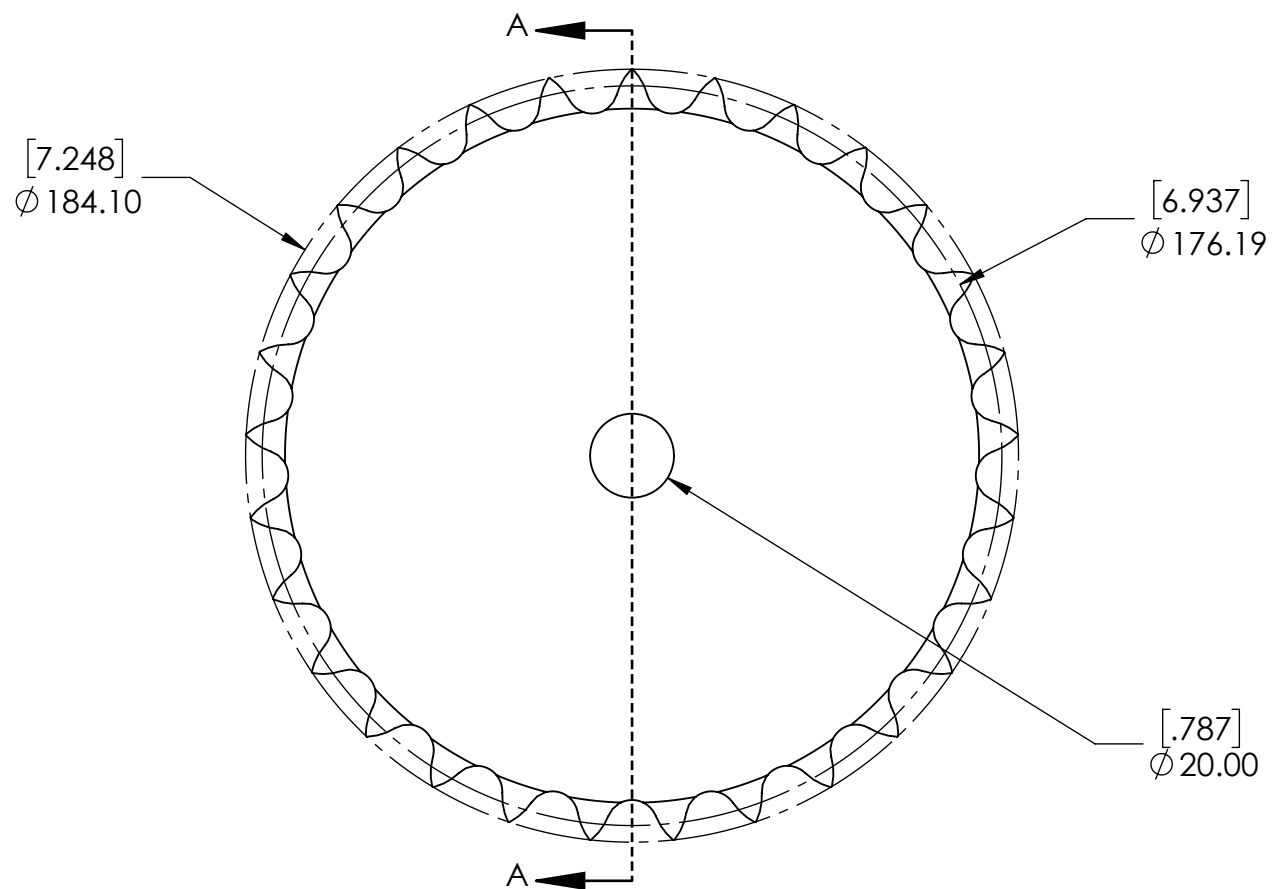


9 8 7 6 5 4 3 2 1

G  
F  
E  
D  
C  
B  
A

G  
F  
E  
D  
C  
B  
A



SECTION A-A

SPROCKETS SPECIFICATIONS		WEIGHT		REVISION	
UNITS	mm (INCH)	MATERIAL	13.74 LBS		
CHAIN SIZE	12B	COATING	STEEL		
PITCH	19.05 mm	DRAWN	BLACK OXIDE		
INNER WIDTH	11.68 mm	CHECKED	SEC 07/31/2025		
ROLLER DIA.	12.07 mm	APPROVED	PT 08/06/2025	DATE	BY
TOOTH WIDTH	10.60 mm			REVISION DESCRIPTION	
NUMBER OF TEETH	29			ITEM DESCRIPTION:	
HUB STYLE	B			12B-2-29B	
BORE TYPE	PLAIN BORE			SCALE	REV
BUSHING NUMBER	N/A			1:1	-



DWG. NO. PROPRIETARY AND CONFIDENTIAL  
THE INFORMATION CONTAINED IN THIS DRAWING IS THE SOLE PROPERTY OF SOLVE IMG. ANY REPRODUCTION IN PART OR AS A WHOLE WITHOUT THE WRITTEN PERMISSION OF SOLVE IMG IS PROHIBITED.

9 8 7 6 5 4 3 2 1