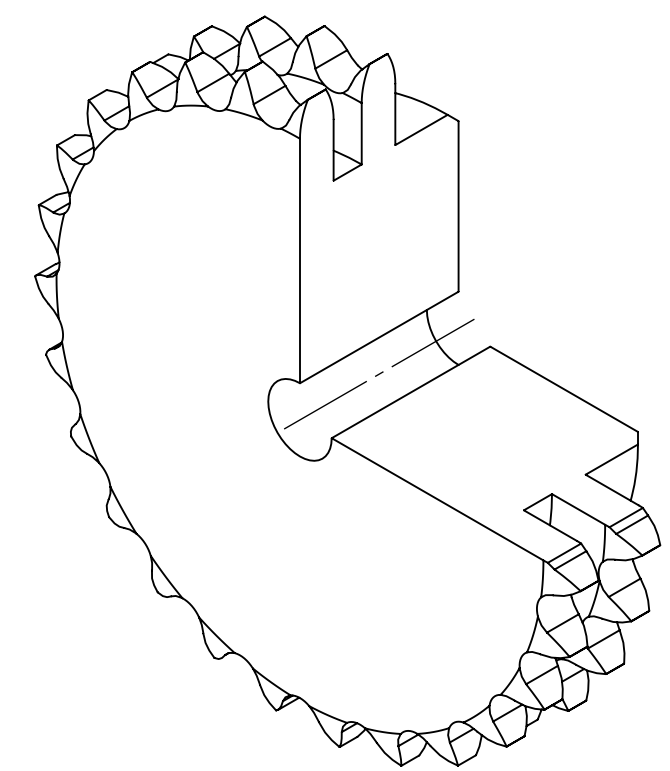
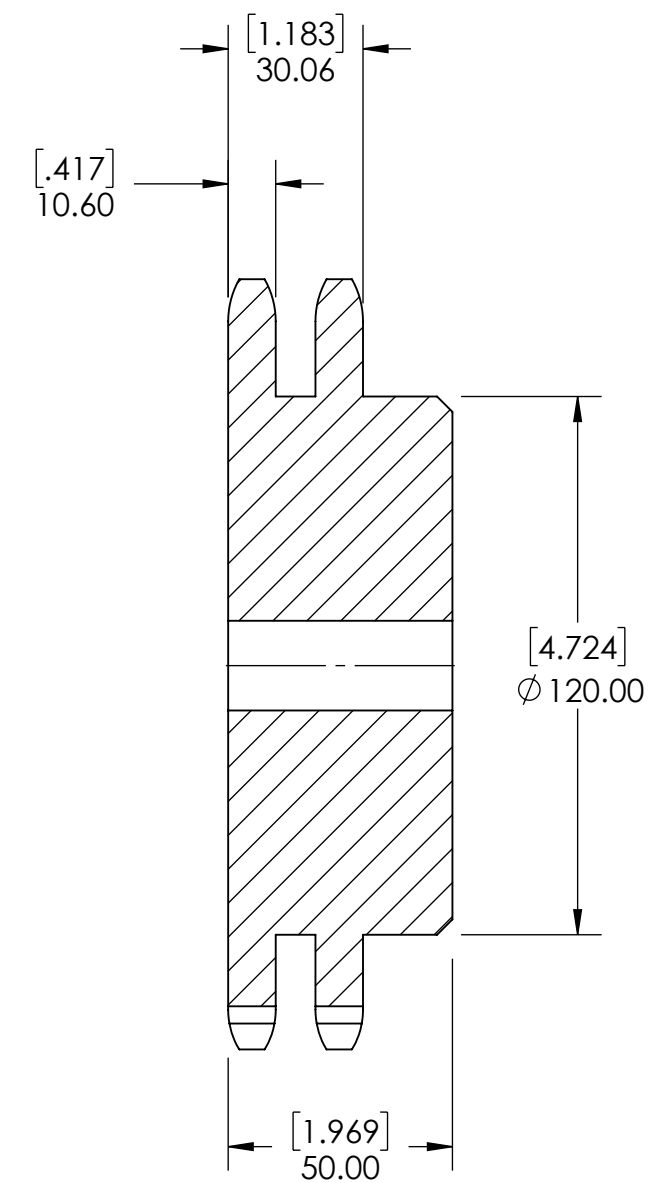
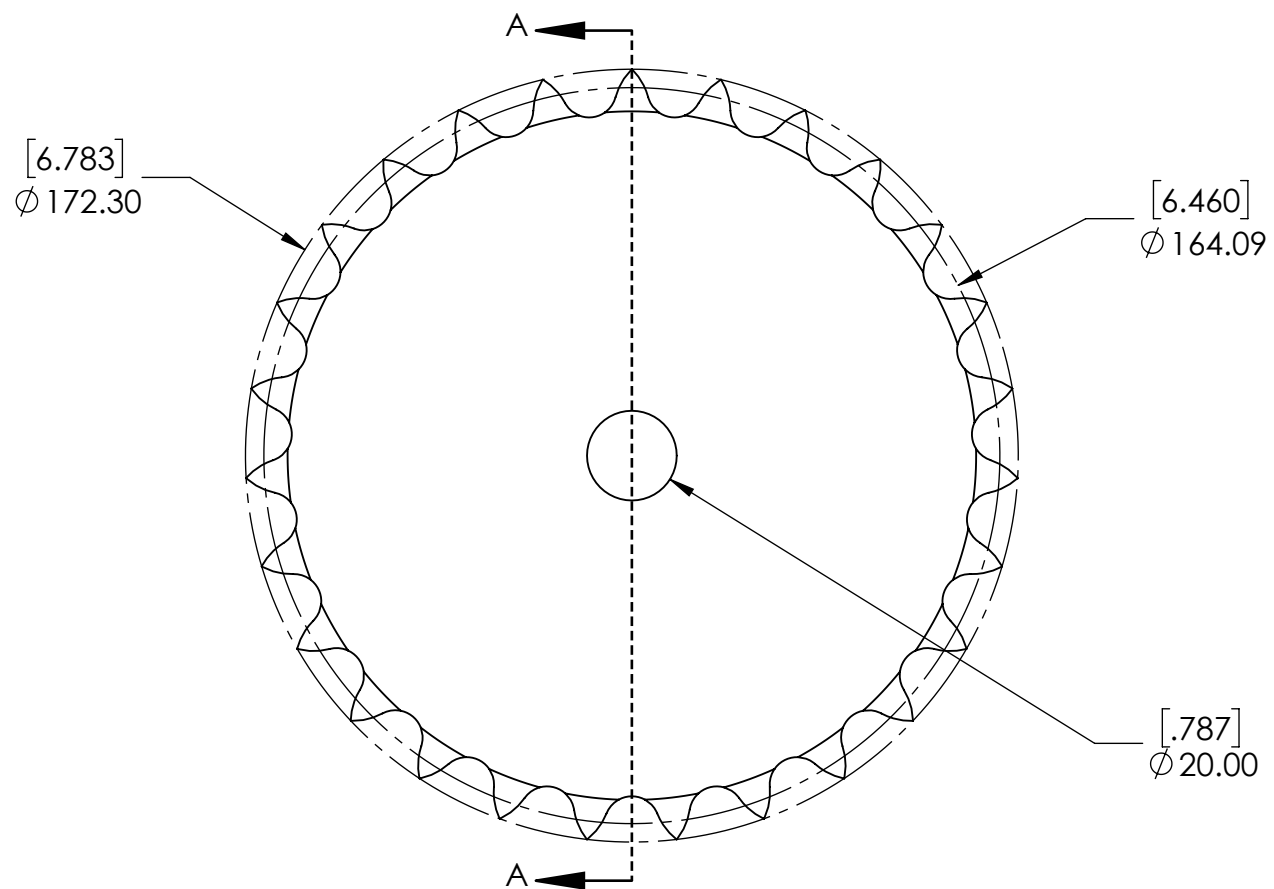


9 8 7 6 5 4 3 2 1

G
F
E
D
C
B
A

G
F
E
D
C
B
A



SECTION A-A

| SPROCKETS SPECIFICATIONS | | WEIGHT | | 12.60 LBS | |
|--------------------------|------------|-------------------|-------------|------------|-------|
| UNITS | mm (INCH) | MATERIAL | STEEL | | |
| CHAIN SIZE | 12B | COATING | BLACK OXIDE | | |
| PITCH | 19.05 mm | DRAWN | SEC | 07/31/2025 | |
| INNER WIDTH | 11.68 mm | CHECKED | PT | 08/06/2025 | |
| ROLLER DIA. | 12.07 mm | APPROVED | | | |
| TOOTH WIDTH | 10.60 mm | DATE | | | |
| NUMBER OF TEETH | 27 | ITEM DESCRIPTION: | | | SCALE |
| HUB STYLE | B | <p>12B-2-27B</p> | | | 1:1 |
| BORE TYPE | PLAIN BORE | | | | REV |
| BUSHING NUMBER | N/A | | | | - |



PROPRIETARY AND CONFIDENTIAL
THE INFORMATION CONTAINED IN THIS DRAWING IS THE SOLE PROPERTY OF SOLVE IMG. ANY REPRODUCTION IN PART OR AS A WHOLE WITHOUT THE WRITTEN PERMISSION OF SOLVE IMG IS PROHIBITED.

9 8 7 6 5 4 3 2 1