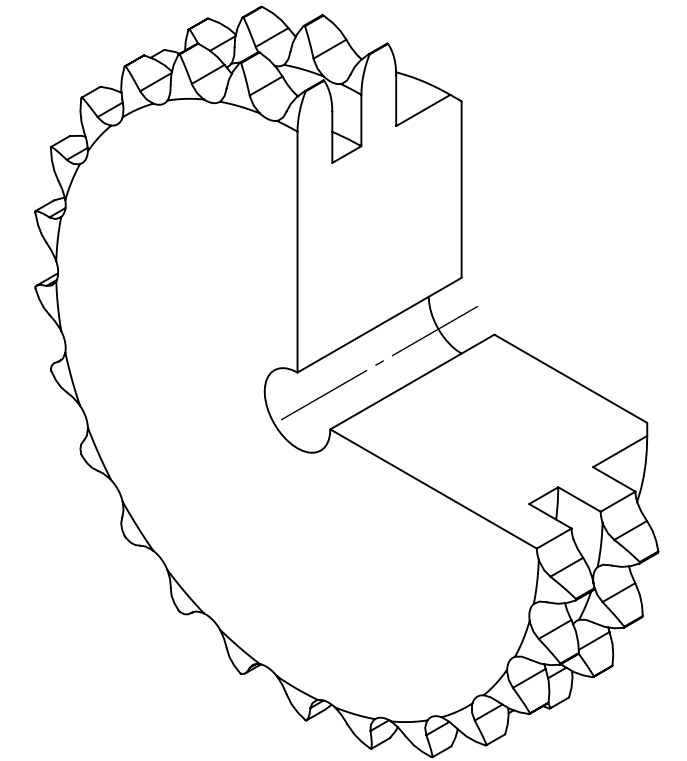
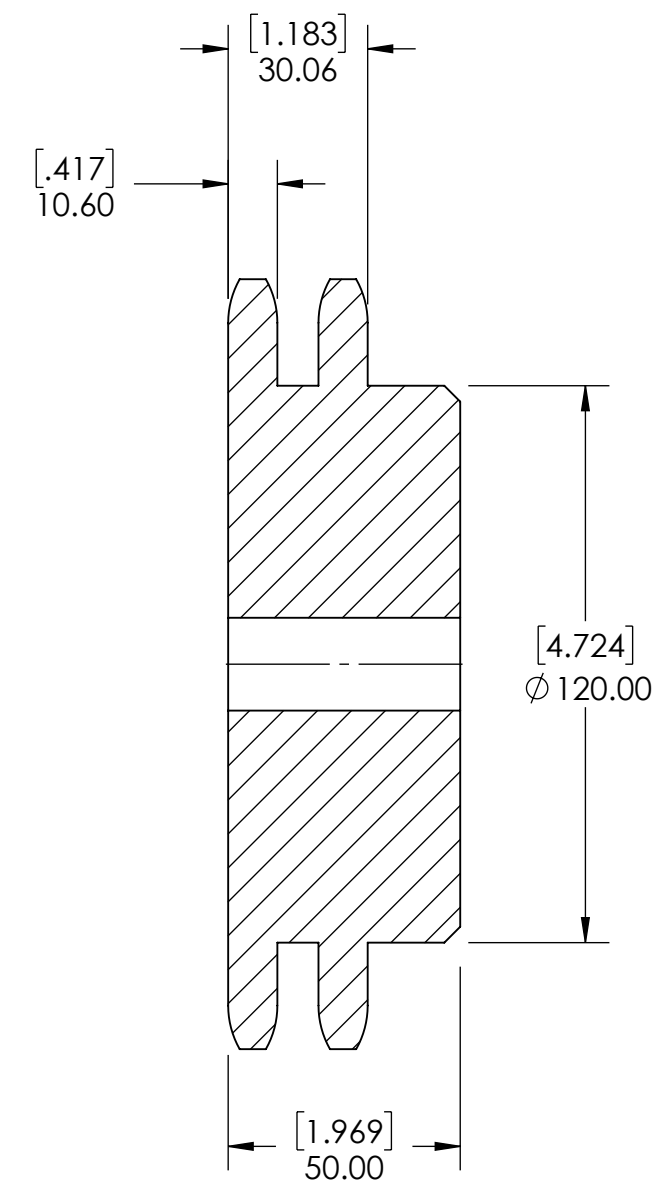
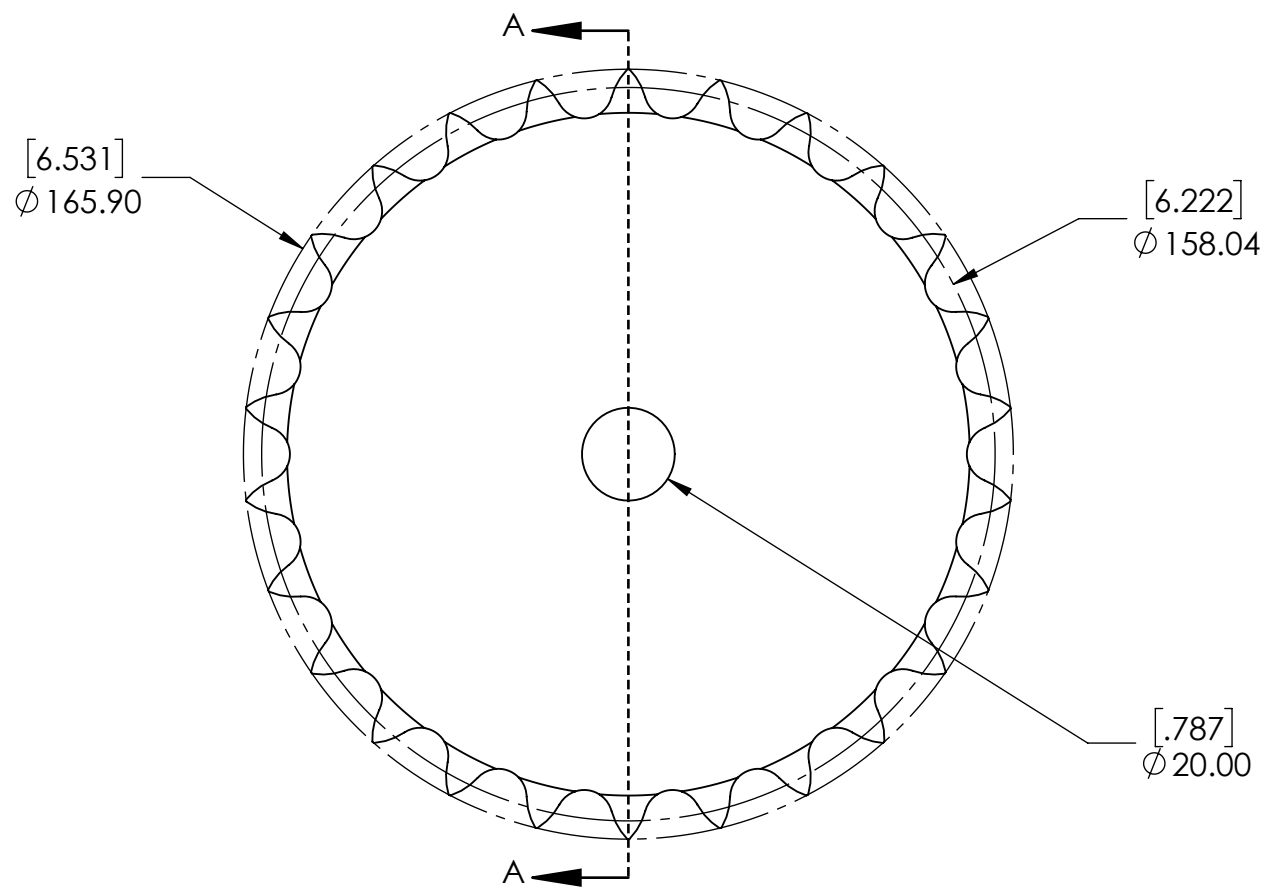


9 8 7 6 5 4 3 2 1

G F E D C B A



SECTION A-A

SPROCKETS SPECIFICATIONS		WEIGHT		12.05 LBS		
UNITS	mm (INCH)	MATERIAL	STEEL			
CHAIN SIZE	12B	COATING	BLACK OXIDE			
PITCH	19.05 mm	DRAWN	SEC	07/31/2025		
INNER WIDTH	11.68 mm	CHECKED	PT	08/06/2025		
ROLLER DIA.	12.07 mm	APPROVED				
TOOTH WIDTH	10.60 mm	DATE				BY
NUMBER OF TEETH	26	DATE		BY	REVISION DESCRIPTION	
HUB STYLE	B	DATE		BY	REVISION DESCRIPTION	
BORE TYPE	PLAIN BORE	DATE		BY	REVISION DESCRIPTION	
BUSHING NUMBER	N/A	DATE		BY	REVISION DESCRIPTION	
				DWG. NO. 12B-2-26B		
PROPRIETARY AND CONFIDENTIAL THE INFORMATION CONTAINED IN THIS DRAWING IS THE SOLE PROPERTY OF SOLVE IMG. ANY REPRODUCTION IN PART OR AS A WHOLE WITHOUT THE WRITTEN PERMISSION OF SOLVE IMG IS PROHIBITED.		DATE: _____ BY: _____		ITEM DESCRIPTION: _____		
				SCALE: 1:1		
				REV: -		

9 8 7 6 5 4 3 2 1

A B C D E F G