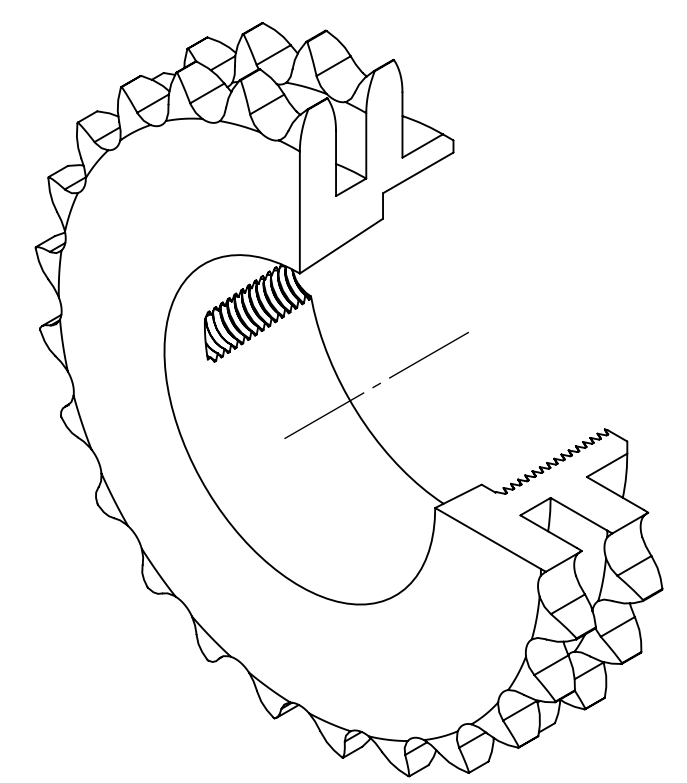
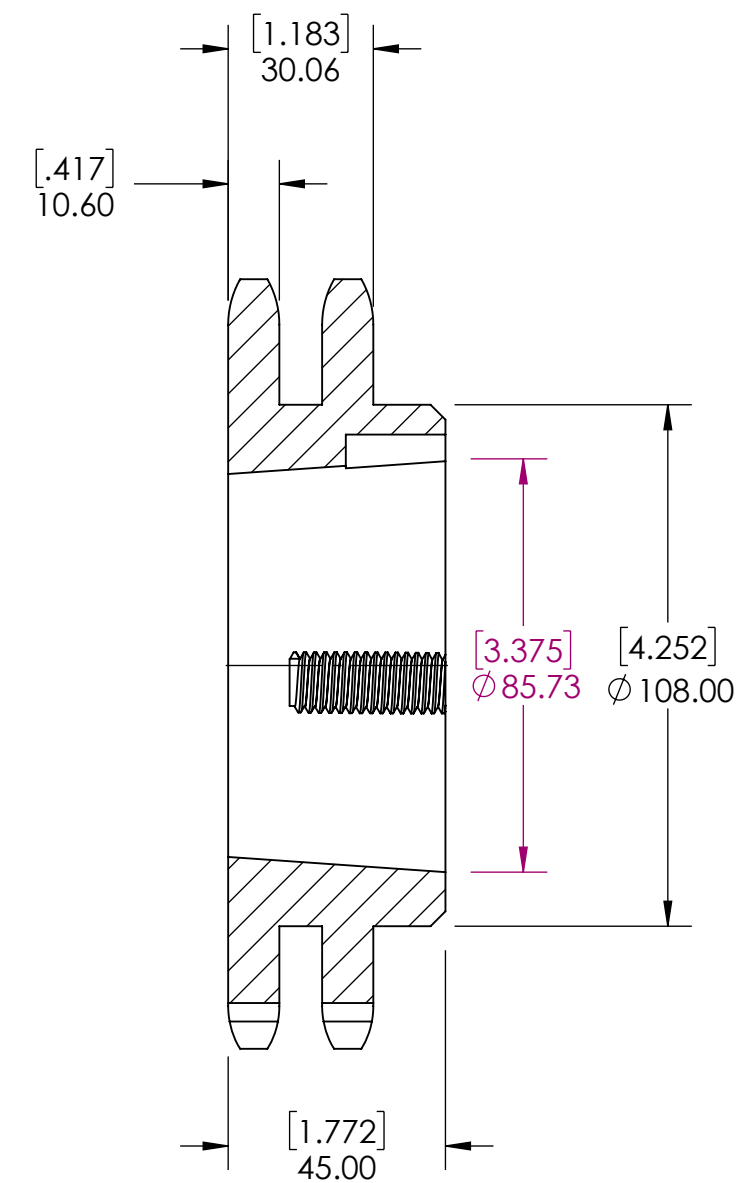
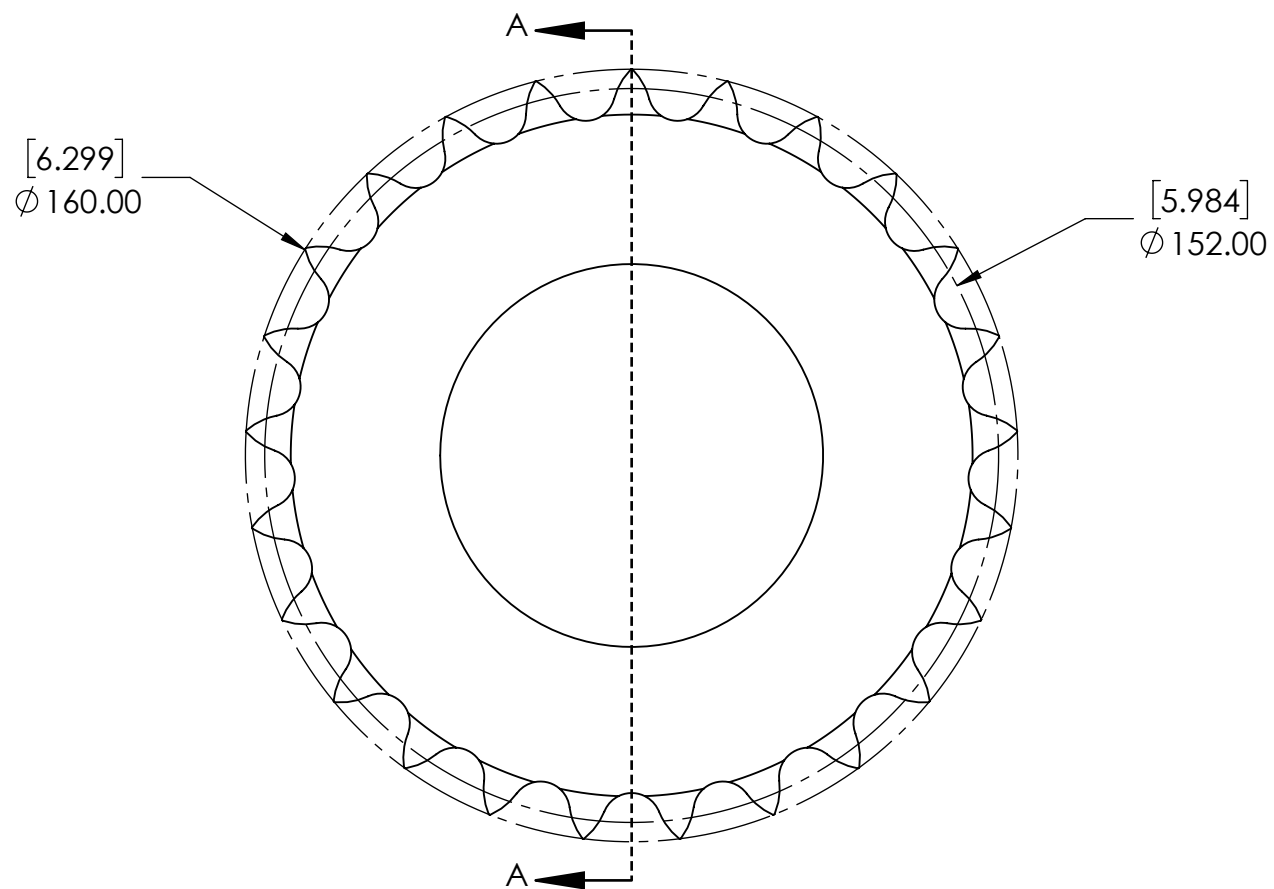


9 8 7 6 5 4 3 2 1

G
F
E
D
C
B
A

G
F
E
D
C
B
A



SECTION A-A

SPROCKETS SPECIFICATIONS		WEIGHT		DATE		BY		REVISION DESCRIPTION		REV
UNITS	mm (INCH)	5.71 LBS								SCALE
CHAIN SIZE	12B	STEEL								1:1
PITCH	19.05 mm	BLACK OXIDE		DRAWN		SEC 07/31/2025				REV
INNER WIDTH	11.68 mm			CHECKED		EG 07/31/2025				-
ROLLER DIA.	12.07 mm			APPROVED						
TOOTH WIDTH	10.60 mm					ITEM DESCRIPTION:		12B-2-25TL-2517		
NUMBER OF TEETH	25									
HUB STYLE	B			DWG. NO.						
BORE TYPE	FOR TAPER BUSHING			PROPRIETARY AND CONFIDENTIAL THE INFORMATION CONTAINED IN THIS DRAWING IS THE SOLE PROPERTY OF SOLVE IMG. ANY REPRODUCTION IN PART OR AS A WHOLE WITHOUT THE WRITTEN PERMISSION OF SOLVE IMG IS PROHIBITED.						
BUSHING NUMBER	2517									

9 8 7 6 5 4 3 2 1