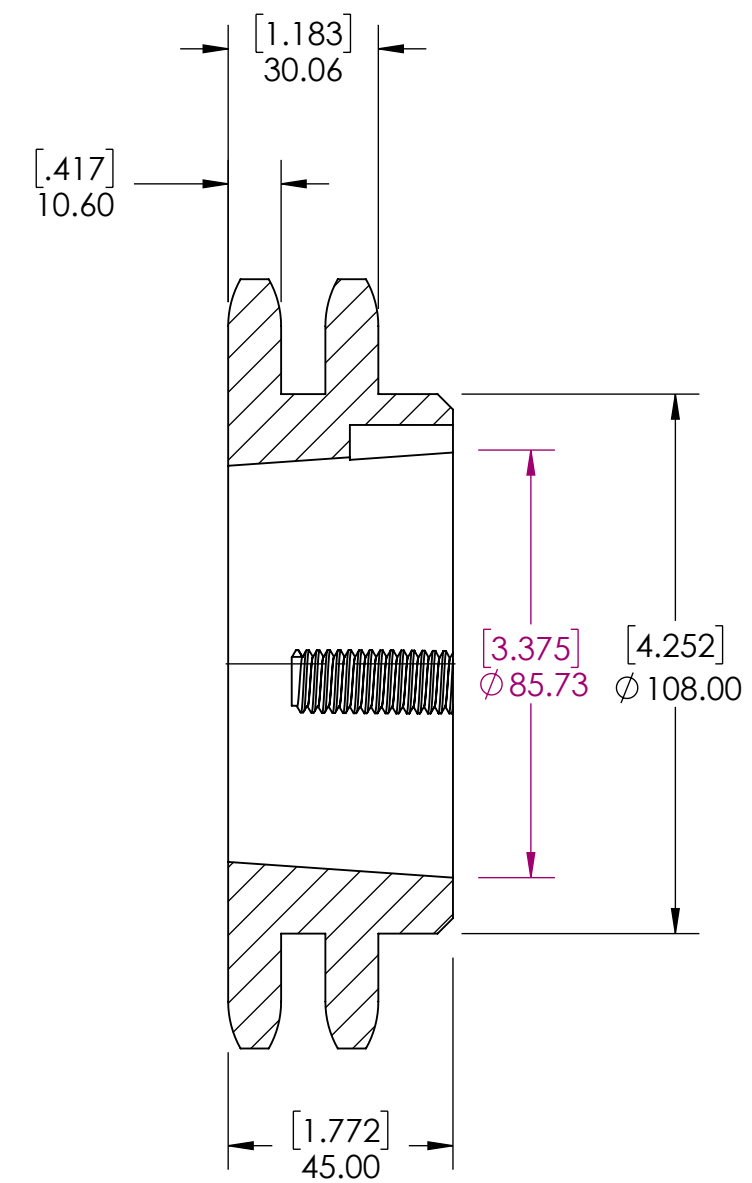
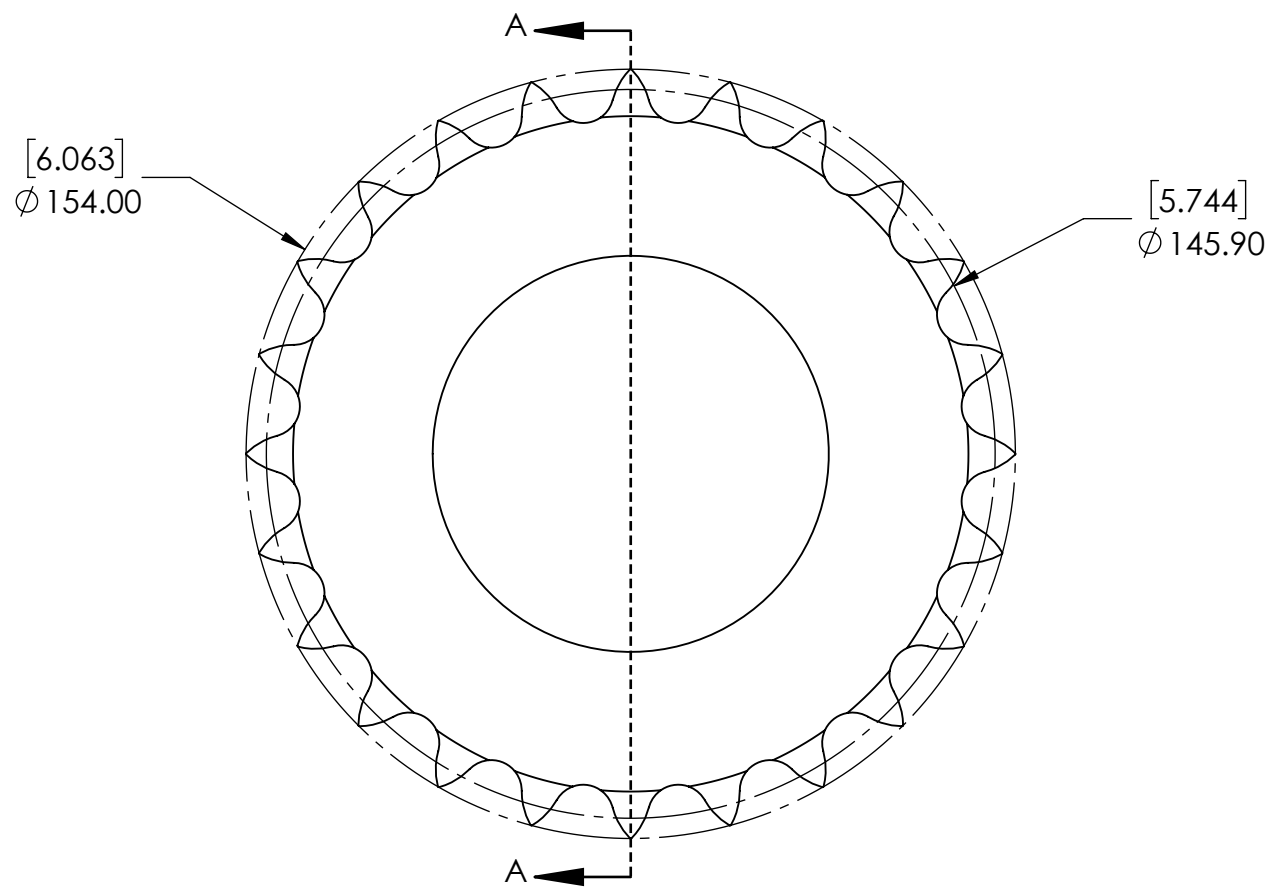


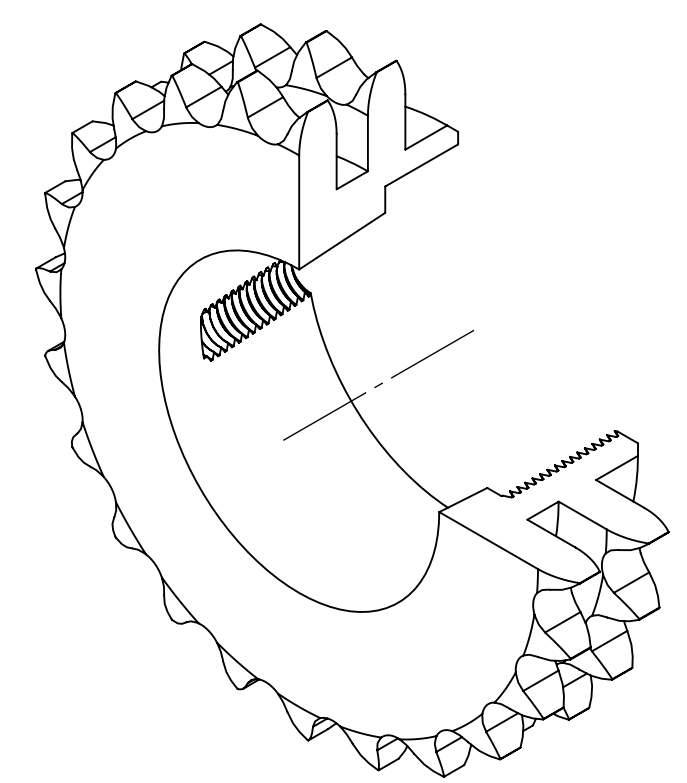
9 8 7 6 5 4 3 2 1

G
F
E
D
C
B
A

G
F
E
D
C
B
A



SECTION A-A



SPROCKETS SPECIFICATIONS		WEIGHT		DATE		BY		REVISION DESCRIPTION		REV
UNITS	mm (INCH)	5.21 LBS								SCALE
CHAIN SIZE	12B	STEEL								1:1
PITCH	19.05 mm	COATING		07/31/2025						REV
INNER WIDTH	11.68 mm	BLACK OXIDE		EG						-
ROLLER DIA.	12.07 mm	DRAWN		EG						
TOOTH WIDTH	10.60 mm	CHECKED		EG						
NUMBER OF TEETH	24	APPROVED								
HUB STYLE	B	THIRD ANGLE PROJECTION								
BORE TYPE	FOR TAPER BUSHING	DWG. NO.		12B-2-24TL-2517						
BUSHING NUMBER	2517	PROPRIETARY AND CONFIDENTIAL								
		THE INFORMATION CONTAINED IN THIS DRAWING IS THE SOLE PROPERTY OF SOLVE IMG. ANY REPRODUCTION IN PART OR AS A WHOLE WITHOUT THE WRITTEN PERMISSION OF SOLVE IMG IS PROHIBITED.								

9 8 7 6 5 4 3 2 1