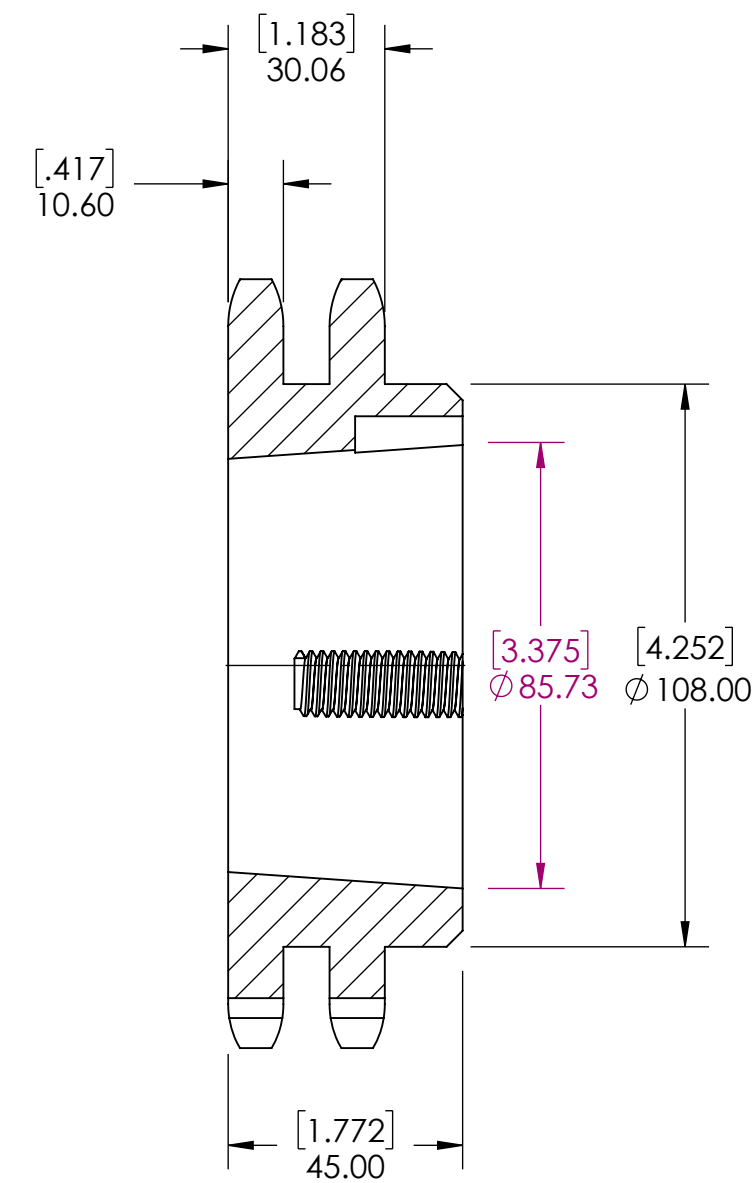
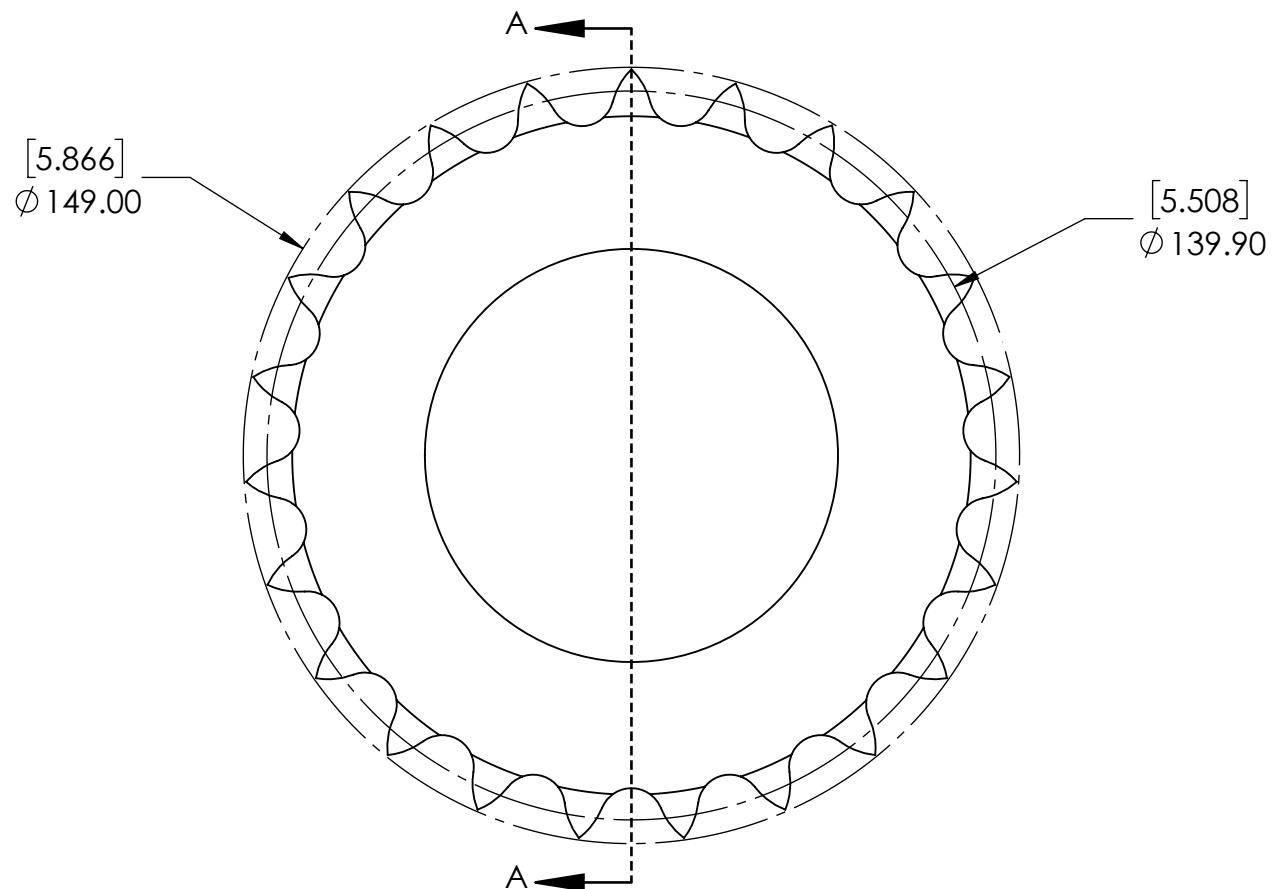
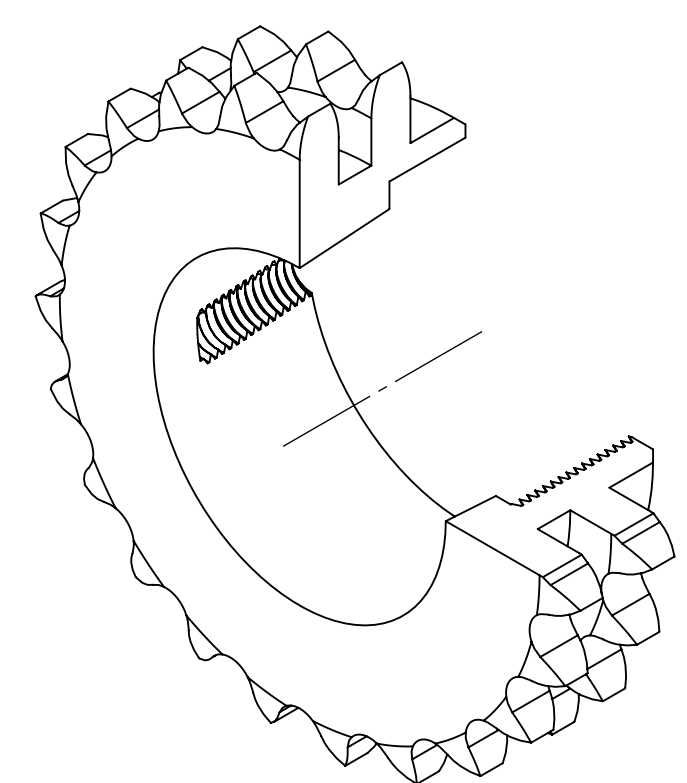


9 8 7 6 5 4 3 2 1

G F E D C B A



SECTION A-A



SPROCKETS SPECIFICATIONS		WEIGHT		DATE		BY		REVISION DESCRIPTION		REV
UNITS	mm (INCH)	4.74 LBS								SCALE
CHAIN SIZE	12B	STEEL								1:1
PITCH	19.05 mm	BLACK OXIDE		07/31/2025						REV
INNER WIDTH	11.68 mm	DRAWN		EG						-
ROLLER DIA.	12.07 mm	CHECKED		EG						
TOOTH WIDTH	10.60 mm	APPROVED								
NUMBER OF TEETH	23	THIRD ANGLE PROJECTION								
HUB STYLE	B	DWG. NO.								
BORE TYPE	FOR TAPER BUSHING	PTI		PROPRIETARY AND CONFIDENTIAL						
BUSHING NUMBER	2517	ITEM DESCRIPTION:								
		12B-2-23TL-2517								

9 8 7 6 5 4 3 2 1

A B C D E F G