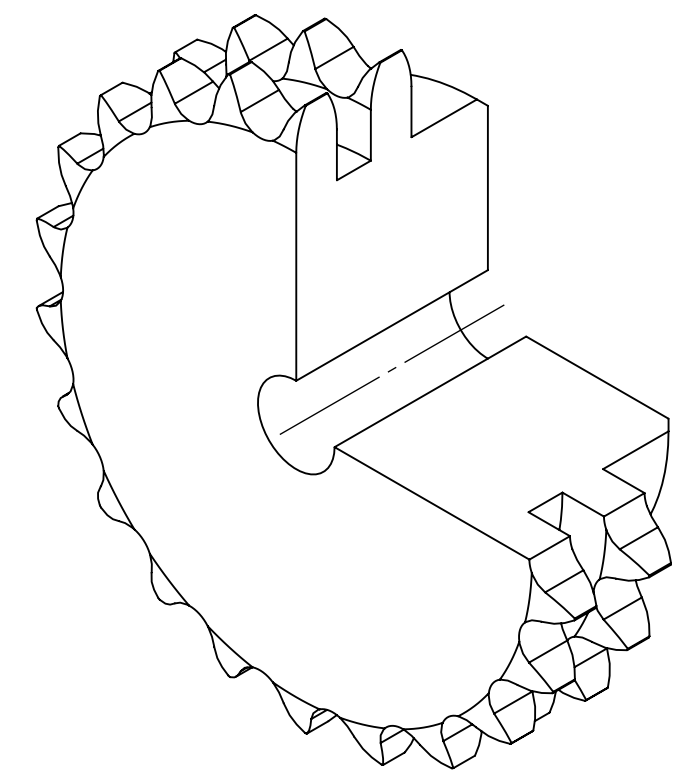
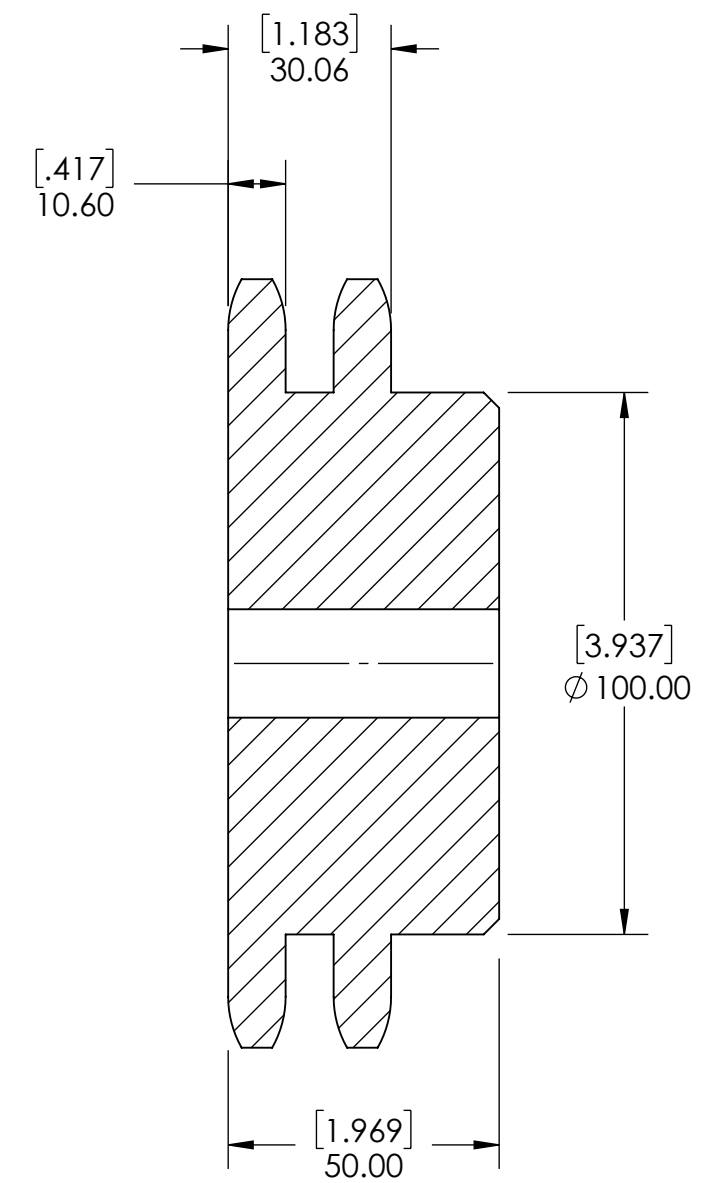
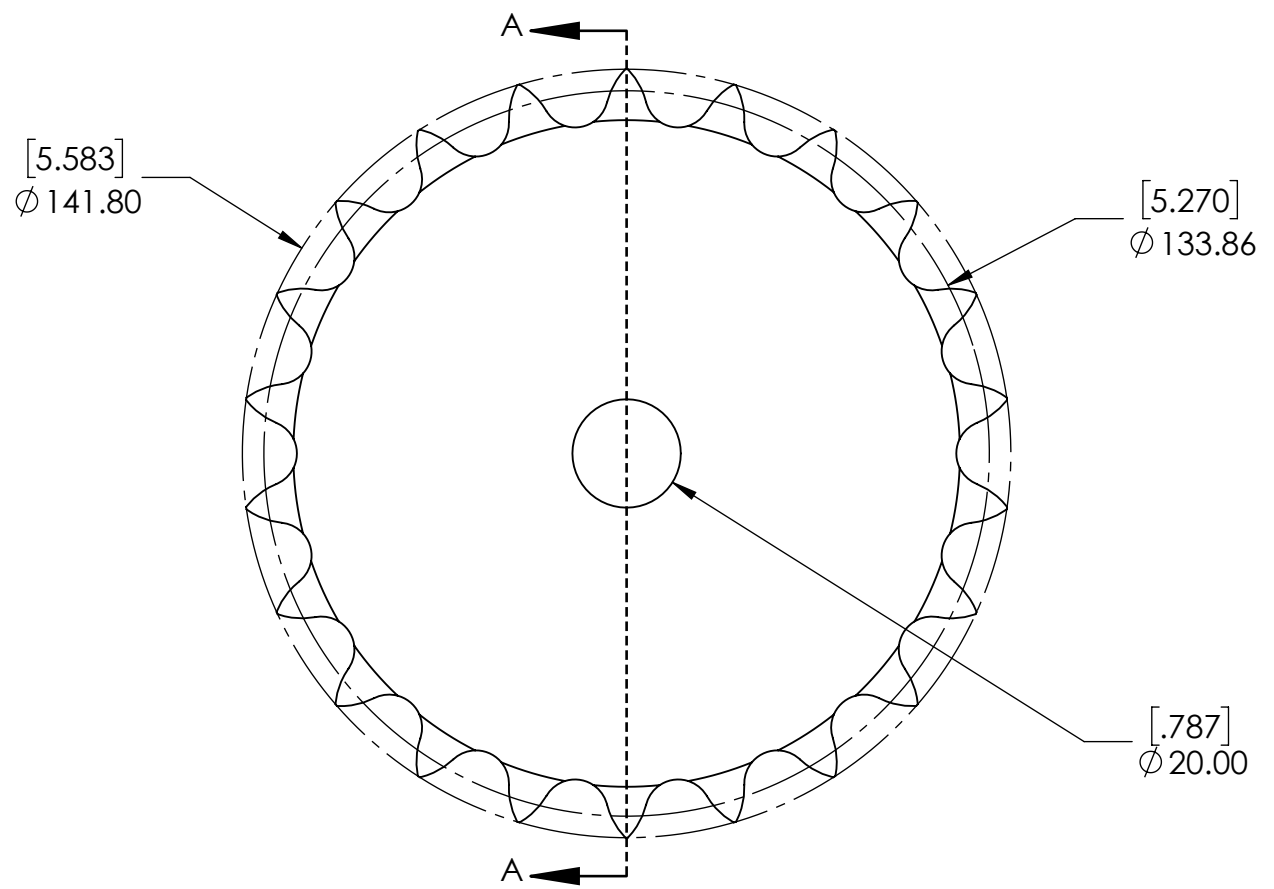


9 8 7 6 5 4 3 2 1

G F E D C B A



SECTION A-A

SPROCKETS SPECIFICATIONS		WEIGHT		DATE		BY		REVISION DESCRIPTION		REV
UNITS	mm (INCH)	8.39 LBS								
CHAIN SIZE	12B	STEEL								
PITCH	19.05 mm	BLACK OXIDE		DRAWN		SEC		07/31/2025		
INNER WIDTH	11.68 mm			CHECKED		PT		08/06/2025		
ROLLER DIA.	12.07 mm			APPROVED						
TOOTH WIDTH	10.60 mm							ITEM DESCRIPTION:		SCALE
NUMBER OF TEETH	22									
HUB STYLE	B			DWG. NO.		12B-2-22B				REV
BORE TYPE	PLAIN BORE			PROPRIETARY AND CONFIDENTIAL THE INFORMATION CONTAINED IN THIS DRAWING IS THE SOLE PROPERTY OF SOLVE IMG. ANY REPRODUCTION IN PART OR AS A WHOLE WITHOUT THE WRITTEN PERMISSION OF SOLVE IMG IS PROHIBITED.						-
BUSHING NUMBER	N/A									

9 8 7 6 5 4 3 2 1

A B C D E F G