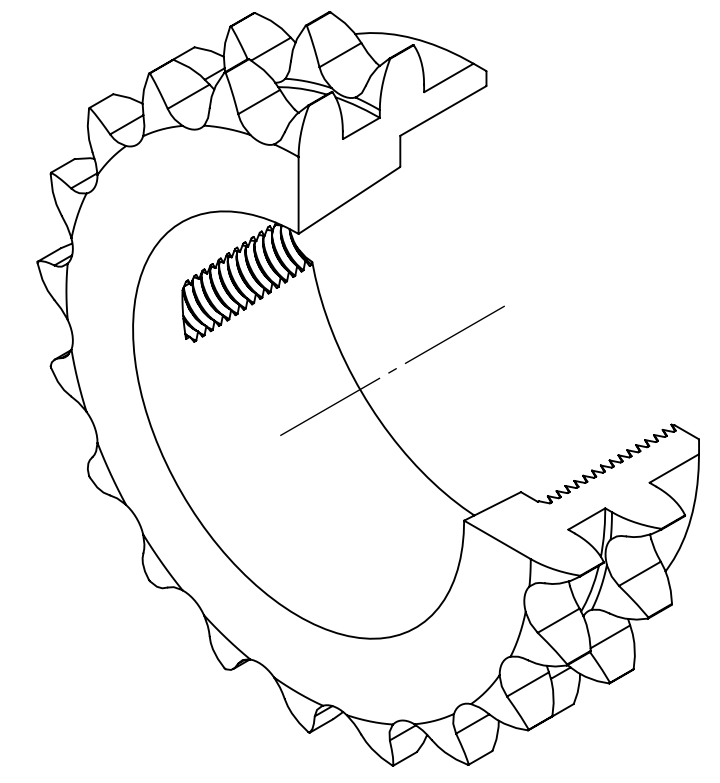
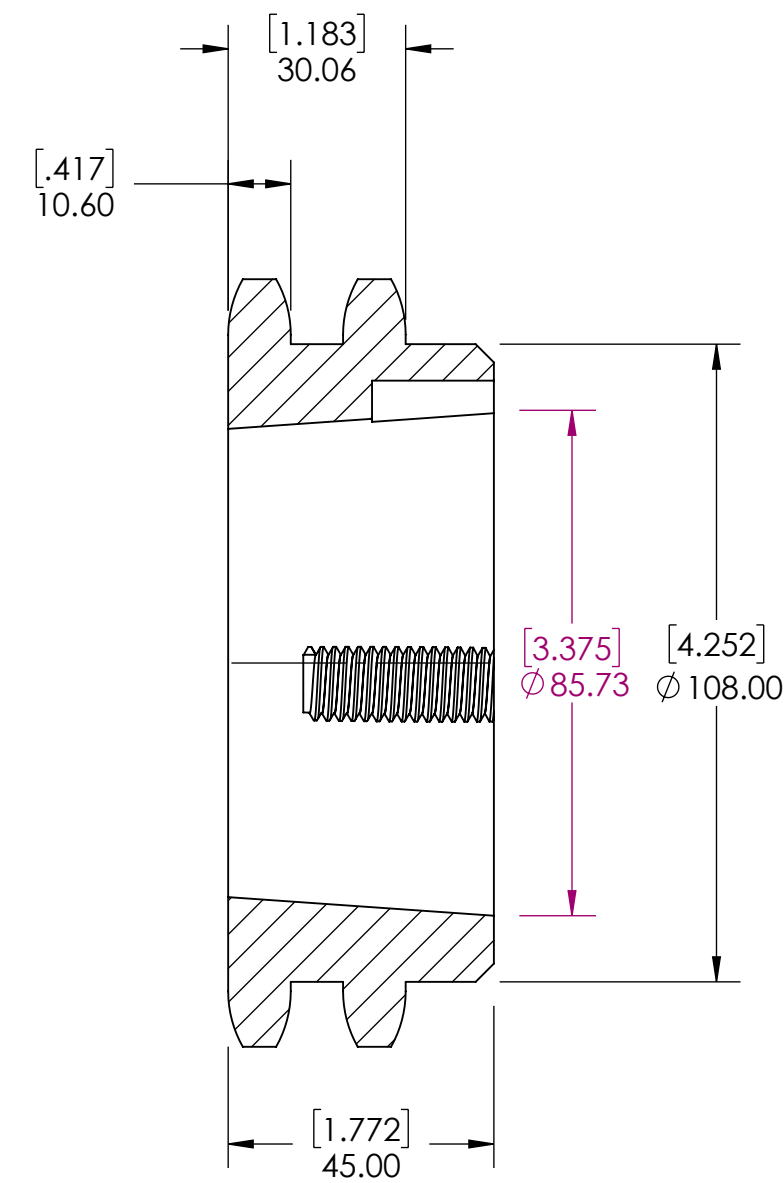
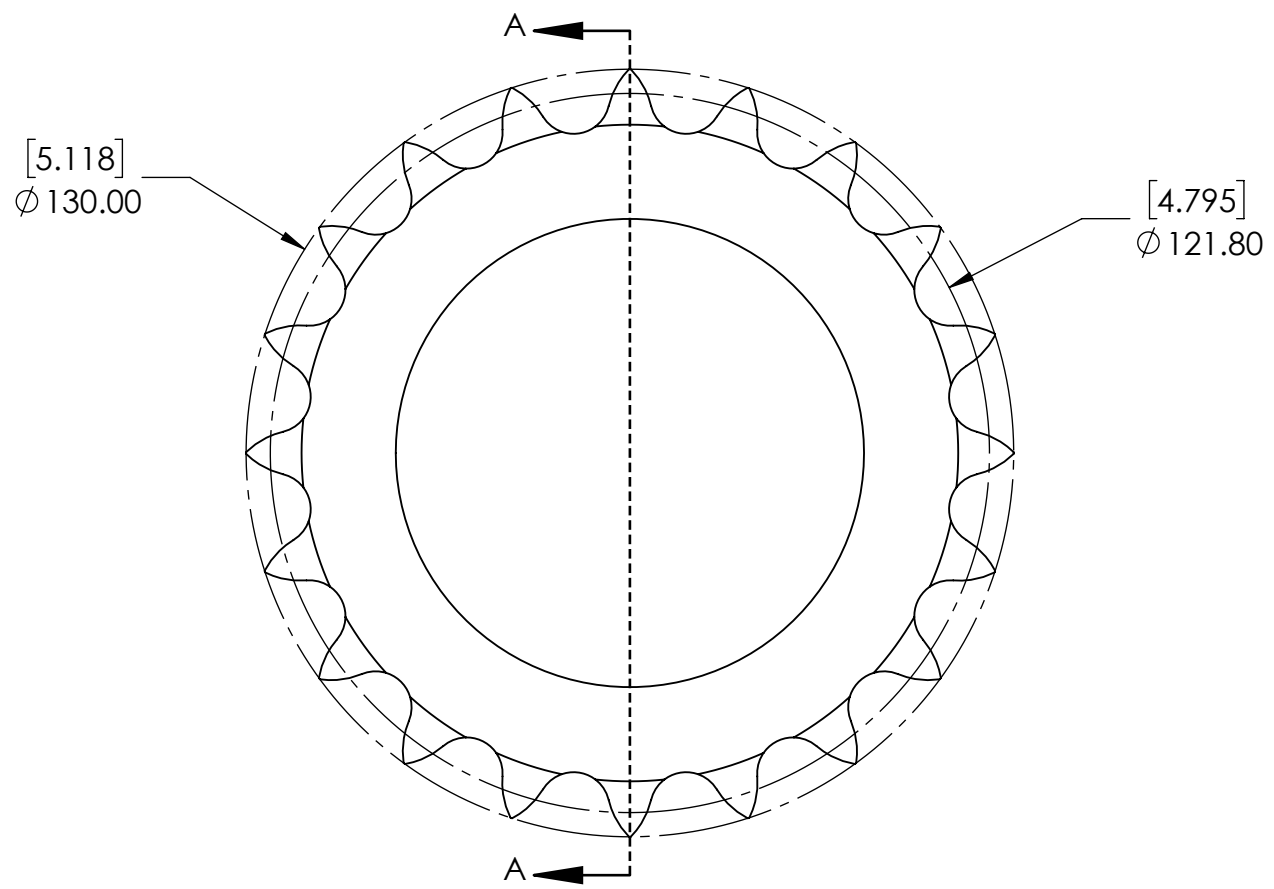


9 8 7 6 5 4 3 2 1

G F E D C B A



SECTION A-A

SPROCKETS SPECIFICATIONS		WEIGHT		DATE		REVISION DESCRIPTION		REV
UNITS	mm (INCH)	MATERIAL	3.42 LBS					
CHAIN SIZE	12B	COATING	STEEL					
PITCH	19.05 mm	DRAWN	BLACK OXIDE	SEC	07/31/2025			
INNER WIDTH	11.68 mm	CHECKED		EG	07/31/2025			
ROLLER DIA.	12.07 mm	APPROVED						
TOOTH WIDTH	10.60 mm							
NUMBER OF TEETH	20							
HUB STYLE	B							
BORE TYPE	FOR TAPER BUSHING							
BUSHING NUMBER	2517							
		SIZE		ITEM DESCRIPTION:				SCALE
		B		12B-2-20TL-2517				1:1
		DWG. NO.						REV
								-

A

9 8 7 6 5 4 3 2 1